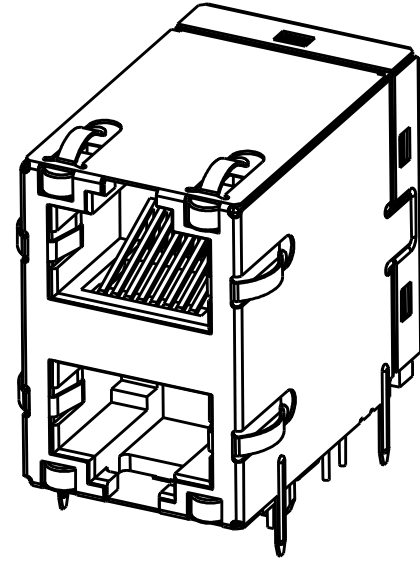


THIS DRAWING AND THE SUBJECT MATTER SHOWN THEREON ARE CONFIDENTIAL AND THE PROPERTY OF BEL/STEWART/TRP CONNECTOR AND SHALL NOT BE REPRODUCED, COPIED, OR USED IN ANY MANNER WITHOUT THE WRITTEN CONSENT OF TRP CONNECTOR.

PRODUCT MAY BE PROTECTED BY ONE OR MORE OF THE FOLLOWING US PATENTS:
 5736910 5939955 6425781 6428361 6554638 6840817 7123117
 7429195 7717749 7808751 6217391 6149050 7924130

REVISIONS				
#	LTR	DESCRIPTION	DATE	APPV
1	K	EC-1411035 COMPANY LOGO CHANGE	05JAN2015	CZ TY

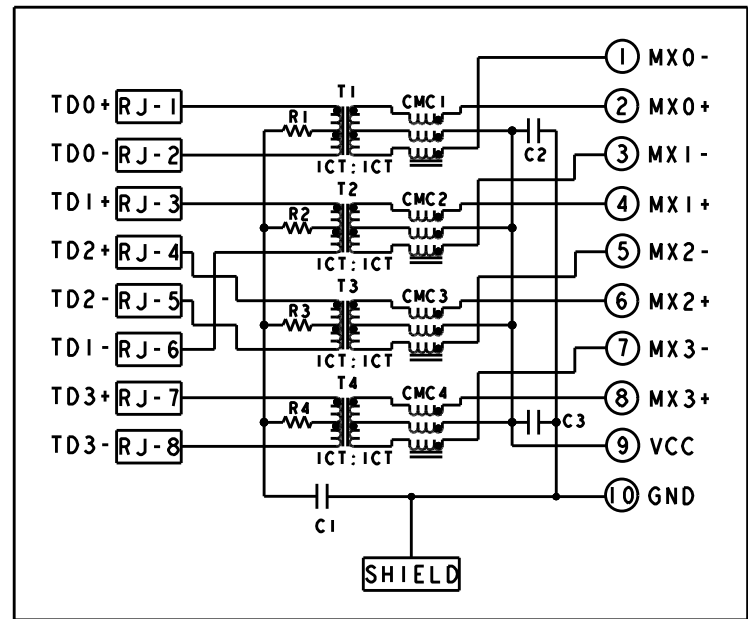


- MATERIALS:**
 PLASTIC HOUSING: BLACK, THERMOPLASTIC FLAMMABILITY RATING UL 94V-0
 SHIELD: BRASS, PREPLATED WITH 0.76um MIN SEMI-BRIGHT NICKEL,
 POST DIPPED WITH 2.54um MIN SAC SOLDER ON SOLDER TAILS,
 CONTACTS: PHOSPHOR BRONZE, 1.27um MIN OVERALL NICKEL
 UNDERPLATE WITH SELECT 1.27um MIN GOLD AT MATING INTERFACE
 AND 2.54um MIN MATTE TIN ON SOLDER TAILS.
 LED: DIFFUSED EPOXY LENS, CARBON STEEL LEAD FRAME TAILS OF LED
 ARE PREPLATED WITH 2.03um MIN SILVER OVER 1.02um MIN NICKEL
 UNDERPLATE OVER 1.02um MIN COPPER UNDERPLATE. POST-PLATED WITH
 2.54um MIN MATTE TIN AND/OR SAC SOLDER DIP OR PURE TIN SOLDER DIP
 ALL PC BOARDS: HIGH TEMPERATURE PCB, TG>170°C
- MAGNETICS**
 APPLICATION: 10/100/1000 BASE-T
 IMPEDANCE: 100 OHMS
 TURNS RATIO (CHIP:CABLE): 1:1 ALL FOUR PAIRS
 OPEN CIRCUIT INDUCTANCE (OCL): 350uH MIN @100kHz, 0.1VRMS,
 8mADC BIAS FROM 0°C TO 70°C, ALL FOUR PAIRS
 ALL FOUR PAIRS BI-DIRECTIONAL
 PERFORMANCE @ 25°C:
 INSERTION LOSS (IL): 1.1dB MAX FROM 0.5MHz TO 100MHz
 RETURN LOSS (RL): 18dB MIN FROM 0.5MHz TO 40MHz
 12-20LOG(f/80)dB MIN FROM 40.1MHz TO 100MHz
 CROSSTALK ATTENUATION: 35dB MIN FROM 0.5MHz TO 40MHz
 33-20LOG(f/50)dB MIN FROM 40.1MHz TO 100MHz
 COMMON MODE REJECTION RATIO (CMRR): 30dB MIN FROM 0.5MHz TO 100MHz
 ISOLATION VOLTAGE: 2250VDC (MAX) FOR 60 SECONDS WITH A RISE TIME OF 500V/SEC AND
 WITH ALL PORTS CONNECTED

- PART NUMBER, DATE CODE AND COUNTRY OF ORIGIN ARE LOCATED
 IN APPROXIMATE AREA SHOWN. DATE CODE: "YY" IS YEAR, "WW" IS
 WORK WEEK, "D" IS DAY OF WEEK, WITH SUNDAY=1
- TRP CONNECTOR LOGO AND AGENCY APPROVAL LOGO ARE
 LOCATED IN APPROXIMATE AREA SHOWN.
- OPERATING TEMP: FROM 0°C TO +70°C.
- RJ45 CAVITY CONFORMS TO FCC RULES AND REGULATION PART 68 SUBPART F.
- INDICATED MAGNETIC CONNECTIONS ARE SYMMETRICAL AND
 SUPPORT AUTO-MDI/MDIX.
- DATUM AND BASIC DIMENSION ESTABLISHED BY CUSTOMER.
- BASIC DIMENSION ESTABLISHED BY CUSTOMER, BUT MAY NOT BE
 GREATER THAN 5.08mm.
- LEDES ARE DRIVEN WITH CONSTANT CURRENT AT APPROX 20mA
 LED COLOR: DOMINANT WAVELENGTH (λD): GREEN 568 nm TYP. @ IF=20mA
 FORWARD VOLTAGE (VF): GREEN 2.2V TYP. @ IF=20mA
 DOMINANT WAVELENGTH (λD): YELLOW 588 nm TYP. @ IF=20mA
 FORWARD VOLTAGE (VF): YELLOW 2.1V TYP. @ IF=20mA
 DOMINANT WAVELENGTH (λD): ORANGE 605 nm TYP @ IF=20 mA
 FORWARD VOLTAGE (VF): ORANGE 2.1V TYP @ IF=20 mA
 DOMINANT WAVELENGTH (λD): ULTRA LOW WAVELENGTH GREEN (ULWG) 525 nm TYP. @ IF=20mA
 FORWARD VOLTAGE (VF): ULTRA LOW WAVELENGTH GREEN (ULWG) 2.8V TYP. @ IF=20mA

11. THE PARTS ARE RECOMMENDED FOR WAVE SOLDERING PROCESS, PEAK TEMPERATURE 260°C MAX, 10 SECONDS MAX.

S8G56 GIGABIT CIRCUIT
 TOP AND BOTTOM PORTS

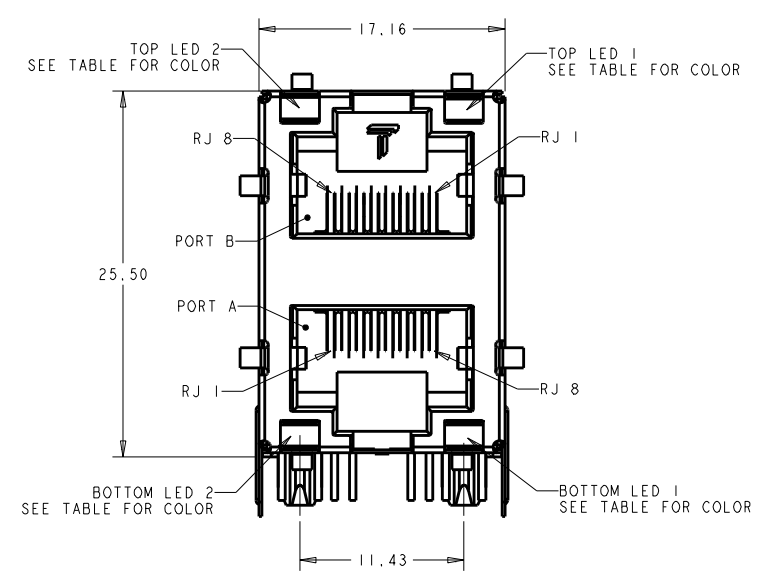
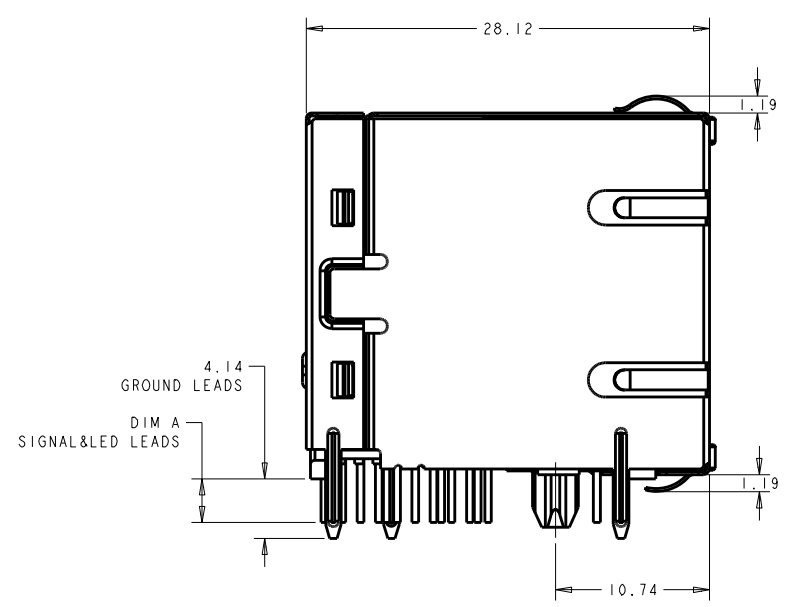
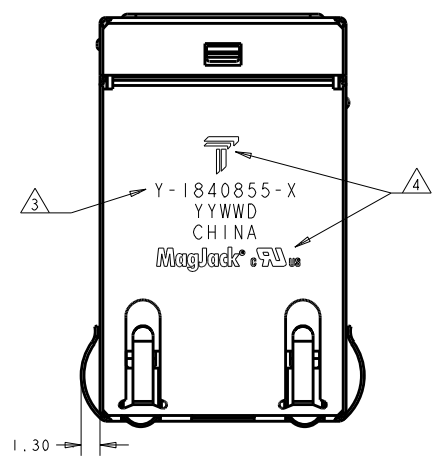


C1 = 1000pF, 2kV CAPACITOR
 C2 - C3 = 10nF, 50V CAPACITORS
 R1-R4 = 75 Ohms, 1/16 W, RESISTORS

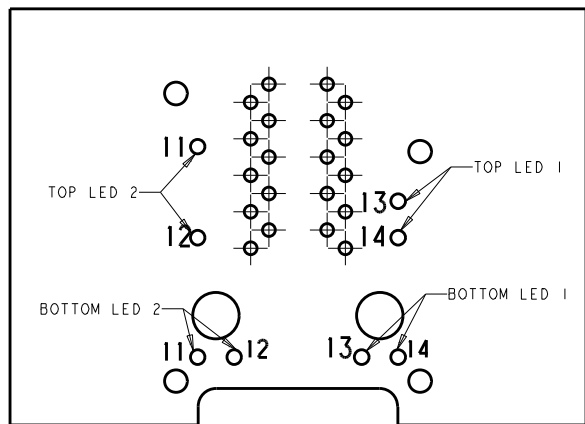
3.04	ULWG/YEL	ULWG	ULWG	ULWG/YEL	9-1840855-7
2.00	GREEN	YELLOW	GREEN	YELLOW	5-1840855-3
3.56	GREEN	GREEN	GREEN	GREEN	4-1840855-1
2.21	GREEN/YELLOW	GREEN/YELLOW	GREEN/YELLOW	GREEN/YELLOW	3-1840855-4
2.21	GREEN	GREEN	GREEN	GREEN	3-1840855-1
2.08	GREEN	YELLOW	GREEN	YELLOW	2-1840855-3
2.76	GREEN	GREEN	GREEN	GREEN	1-1840855-1
4.06	ULWG/YEL	ULWG/YEL	ULWG/YEL	ULWG/YEL	1-1840855-9
4.06	GREEN/YELLOW	GREEN/YELLOW	GREEN/YELLOW	GREEN/YELLOW	1-1840855-4
3.04	GREEN	GREEN/YELLOW	GREEN	GREEN/YELLOW	1840855-8
3.04	GREEN/ORANGE	GREEN/ORANGE	GREEN/ORANGE	GREEN/ORANGE	1840855-7
3.04	GREEN	GREEN/ORANGE	GREEN	GREEN/ORANGE	1840855-6
3.04	GREEN/YELLOW	GREEN	GREEN/YELLOW	GREEN	1840855-5
3.04	GREEN/YELLOW	GREEN/YELLOW	GREEN/YELLOW	GREEN/YELLOW	1840855-4
3.04	GREEN	YELLOW	GREEN	YELLOW	1840855-3
3.04	GREEN	GREEN	GREEN	GREEN	1840855-1
DIM A	BOTTOM LED 2	BOTTOM LED 1	TOP LED 2	TOP LED 1	PART NUMBER

THIS DRAWING IS A CONTROLLED DOCUMENT.

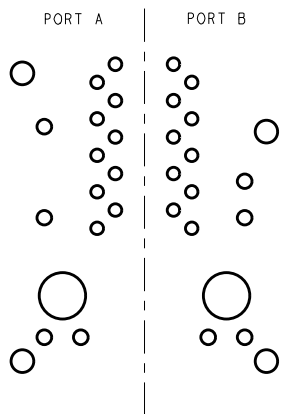
DIMENSIONS: mm 	TOLERANCES UNLESS OTHERWISE SPECIFIED: 0 PLC ± 1 PLC ± 2 PLC ±0.25 3 PLC ± 4 PLC ±	16NOV2010 JAMISON CHEN/KO LI 16NOV2010 TONY YUAN 16NOV2010 KEITH ZHU	TRP CONNECTOR DONGGUAN CHINA
PRODUCT SPEC 108-104004	APPLICATION SPEC -	MODEL NAME MAGJACK	DESC 2X1 GIGABIT S8G56 WITH LED
SCALE NTS		SHEET 1 OF 4	REV K



THIS DRAWING IS A CONTROLLED DOCUMENT.		DWN JAMISON CHEN/NO 16NOV2010 CHK TONY YUAN 16NOV2010 APVD KE LTH ZHU 16NOV2010		trp CONNECTOR DONGGUAN CHINA
DIMENSIONS: mm	TOLERANCES UNLESS OTHERWISE SPECIFIED: 0 PLC ± 1 PLC ± 2 PLC ±0.25 3 PLC ± 4 PLC ± ANGLES °	MODEL NAME MAGJACK	DESC 2XI GIGABIT S8G56 WITH LED	
PRODUCT SPEC 108-104004	APPLICATION SPEC -	SIZE A1	CAGE CODE 1840855	RESTRICTED TO -
CUSTOMER DRAWING		SCALE	NTS	SHEET 2 OF 4 REV K

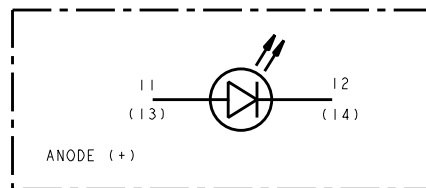


LED HOLE DESIGNATIONS VIEWED FROM COMPONENT SIDE

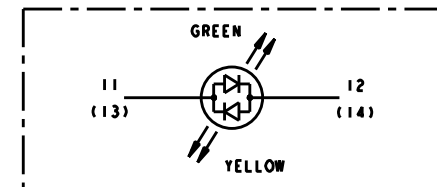


PORT ASSIGNMENT COMPONENT SIDE VIEW

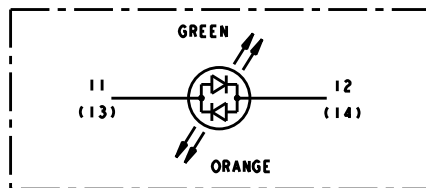
SINGLE COLOR LED



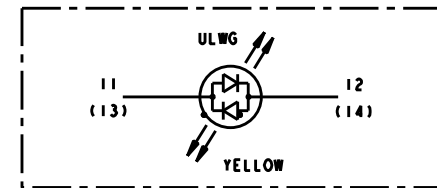
BI-COLOR LED



BI-COLOR LED



BI-COLOR LED



THIS DRAWING IS A CONTROLLED DOCUMENT.		DWN JAMISON CHEN/NO 16NOV2010 CHK TONY YUAN 16NOV2010 APVD KE LTH ZHU 16NOV2010		DONGGUAN CHINA	
DIMENSIONS: mm	TOLERANCES UNLESS OTHERWISE SPECIFIED: 0 PLC ±- 1 PLC ±- 2 PLC ±0.25 3 PLC ±- 4 PLC ±- ANGLES °	MODEL NAME MAGJACK	DESC 2X1 GIGABIT S8G56 WITH LED	SIZE A1	CAGE CODE 1840855
PRODUCT SPEC 108-104004	APPLICATION SPEC -	CUSTOMER DRAWING	SCALE NTS	SHEET 4 OF 4	REV K