

1

2

3

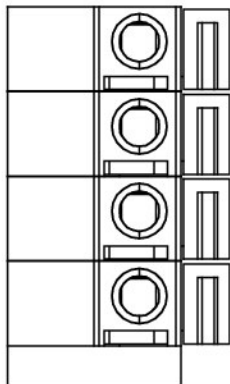
4

5

6

7

A



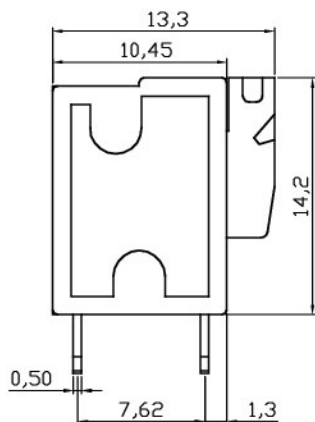
B

C

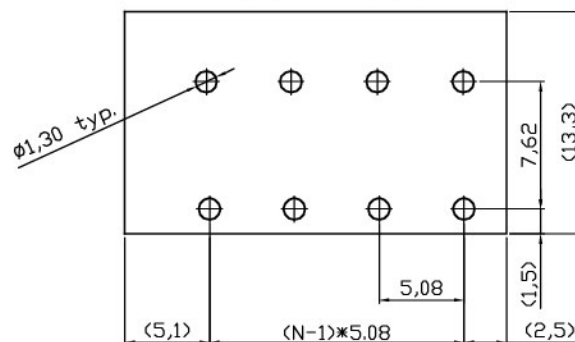
D

E

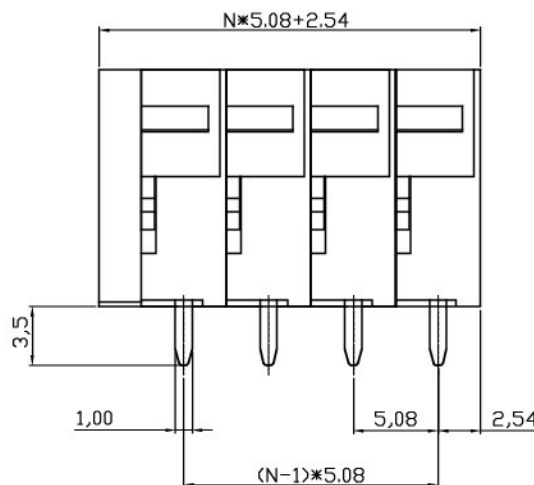
F



P.C.B. LAYOUT



N=Number of contacts



Material

Terminal body (Contact pin): Brass
 Wire guard: Stainless steel
 Surface of solder tail: Tin plated
 Insulator (housing): Thermoplastic (UL94V-0), Green

Electrical

cULus/VDE
 Voltage rating: 300VAC/250VAC
 Current rating: 10A/10A
 Wire range: 0.75-1.5mm²
 Solid wire(AWG): 14-24
 Stranded wire(AWG): 14-24

Pull force:

Screw:

Wire strip length: 6-7mm

Withstanding Voltage: 1.6KV/2KV

Operating temperature: -40°C to +115°C

Soldering temperature: 250°C±10°C/5 Sec

Safety Approval:



RoHS compliant



Scale	1:1					Date	Name	Customer-No.
TOLERANCE						Drawn	23.01.2008	N.Schulz
X.	±0.50					Approved	28.06.2010	Hellwig
X.X	±0.30							ASSMANN WSW-No. A-TB508 - HAxxV
X.XX	±0.10	③	Update UL	23.03.2017	C.Bakula			Drawing-No.
DIM	TOL	②	Update	28.06.2010	Alex			ASS 2466 CO
X.°	±1°							rev03
X.X°	±X°	①	Drawn	23.01.2008	N.Schulz	Replace	Sheet	
Angle	TOL	Id.	Modification	Date	Name			

1

2

3

4

5

6

7

H

H