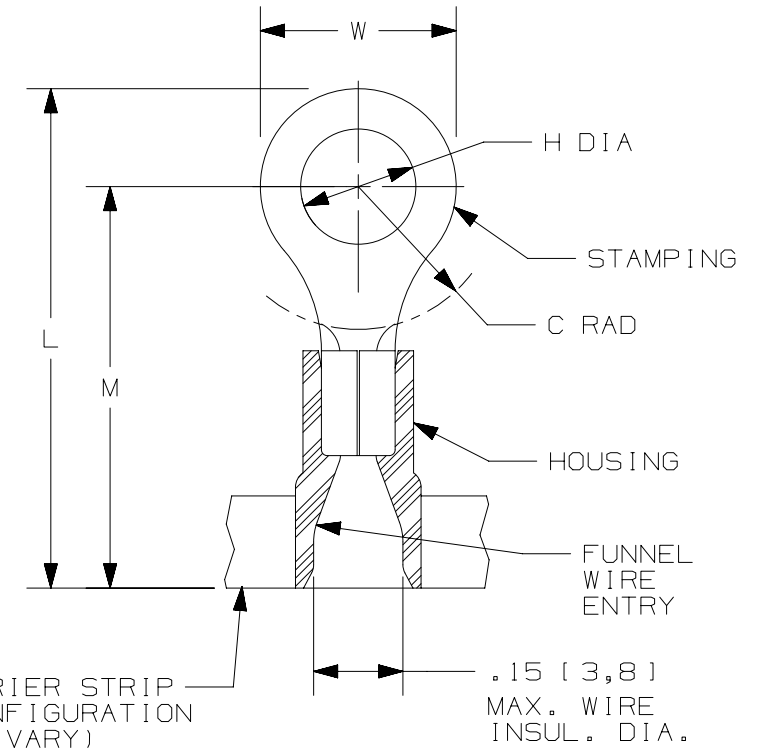


THIS COPY IS PROVIDED ON A RESTRICTED BASIS AND IS NOT TO BE USED IN ANY WAY DETRIMENTAL TO THE INTERESTS OF PANDUIT CORP.

PANDUIT PART #	STUD SIZE		DIMENSIONS in. [mm]				
	ENGLISH	METRIC	L ± .03 [0,8]	W ± .01 [0,3]	C ± .015 [0,4]	M ± .03 [0,8]	H ± .01 [0,3]
PV18-4RNB-3K	#4	--	.74 [18,8]	.21 [5,3]	.19 [4,8]	.63 [16,0]	.12 [3,1]
PV18-4RB-3K	#4	--	.78 [19,8]	.25 [6,4]	.20 [5,1]	.65 [16,5]	.12 [3,1]
PMV1-3RB-3K	--	M3	.76 [19,3]	.23 [5,8]	.20 [5,1]	.65 [16,5]	.13 [3,3]
PV18-6RNB-3K	#6	M3,5	.75 [19,1]	.23 [5,8]	.19 [4,8]	.63 [16,0]	.15 [3,8]
PV18-6RB-3K	#6	M3,5	.78 [19,8]	.25 [6,4]	.20 [5,1]	.65 [16,5]	.15 [3,8]
PV18-8RB-3K	#8	M4	.86 [21,8]	.31 [7,9]	.25 [6,4]	.70 [17,8]	.17 [4,3]
PV18-10RB-3K	#10	--	.86 [21,8]	.31 [7,9]	.25 [6,4]	.70 [17,8]	.20 [5,1]
PMV1-5RB-3K	--	M5	.88 [22,4]	.35 [8,9]	.25 [6,4]	.70 [17,8]	.21 [5,3]
PV18-14RB-3K	1/4"	M6	1.06 [26,9]	.45 [11,4]	.38 [9,7]	.83 [21,1]	.27 [6,9]
PV18-56RB-2K	5/16"	M8	1.06 [26,9]	.46 [11,7]	.38 [9,7]	.83 [21,1]	.33 [8,4]
PV18-38RB-2K	3/8"	M10	1.15 [29,2]	.53 [13,5]	.43 [10,9]	.88 [22,4]	.39 [9,9]



NOTES:

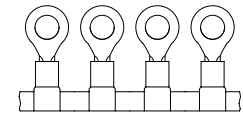
- USED FOR:
 - A. #22-18 AWG [0,5-1,0 mm²] SOLID OR STRANDED COPPER WIRE
 - B. 221 °F [105 °C] MAX. OPERATING TEMPERATURE
 - C. 600 V. MAX. VOLTAGE RATING
- INSTALLATION TOOLS:
 - A. PRESSES: CP-861, CP-862, CP-871
 - B. APPLICATOR: CA-800EZ, CA9
 - C. DIE INSERTS FOR #4-1/4" STUD: CD-800-1, CD9-1A
 - D. DIE INSERTS FOR 5/16" & 3/8" STUD: CD-800-1, CD9-1B
- WIRE STRIP LENGTH: 1/4" ^{+1/32} [6,4^{+0,8}]
- MATERIAL:
 - A. STAMPING: .03" [0,8] THK COPPER, TIN PLATED
 - B. HOUSING: VINYL, RED
- DIMENSIONS IN BRACKETS ARE METRIC EQUIVALENT



LISTED
587H
E52164



CERTIFIED
LR31212



REV	DATE	BY	CHK	APR	DESCRIPTION	ECN
11	06.30.16	JHNU	JHNU	RGB	REVISED PART NUMBERS: ADDED PKG QTY. REMOVED NOTE REFERENCING PKG. QTY.	N41069BA-DC
10	09.17.12	JBN	LCA	VMB	ADDED METRIC EQUIVALENT. REVISED NOTES. UPDATED DRAWING TO CURRENT STANDARDS.	A41069

TITLE		RING TERMINALS, 2 PC. VINYL INSULATED, #22-18		
		CUSTOMER DRAWING		
ITEM REVISION NAME		N41069BA/11		
DATASET FILE NAME		N41069BA_DC/11A		
UNLESS OTHERWISE SPECIFIED, DIMENSIONAL TOLERANCES ARE: IN [mm]		MATERIAL: SEE NOTES		
.x ± .1 [2.54] .xxx ± .005 [.13]		DRAWING NUMBER: A41069		
.xx ± .01 [.25] ANGLES ± 5 °		THIRD ANGLE PROJECTION		
DRAWN BY	DATE	CHK	SCALE	STZ
CLK	-	FS	N.T.S.	A

D10100DA/15