

4

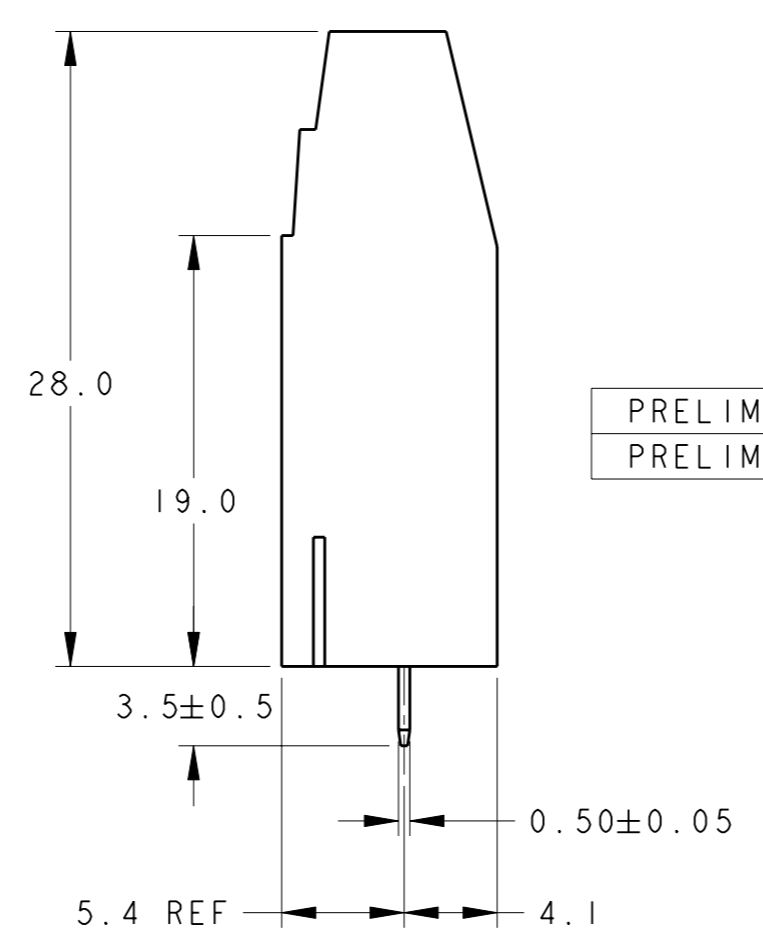
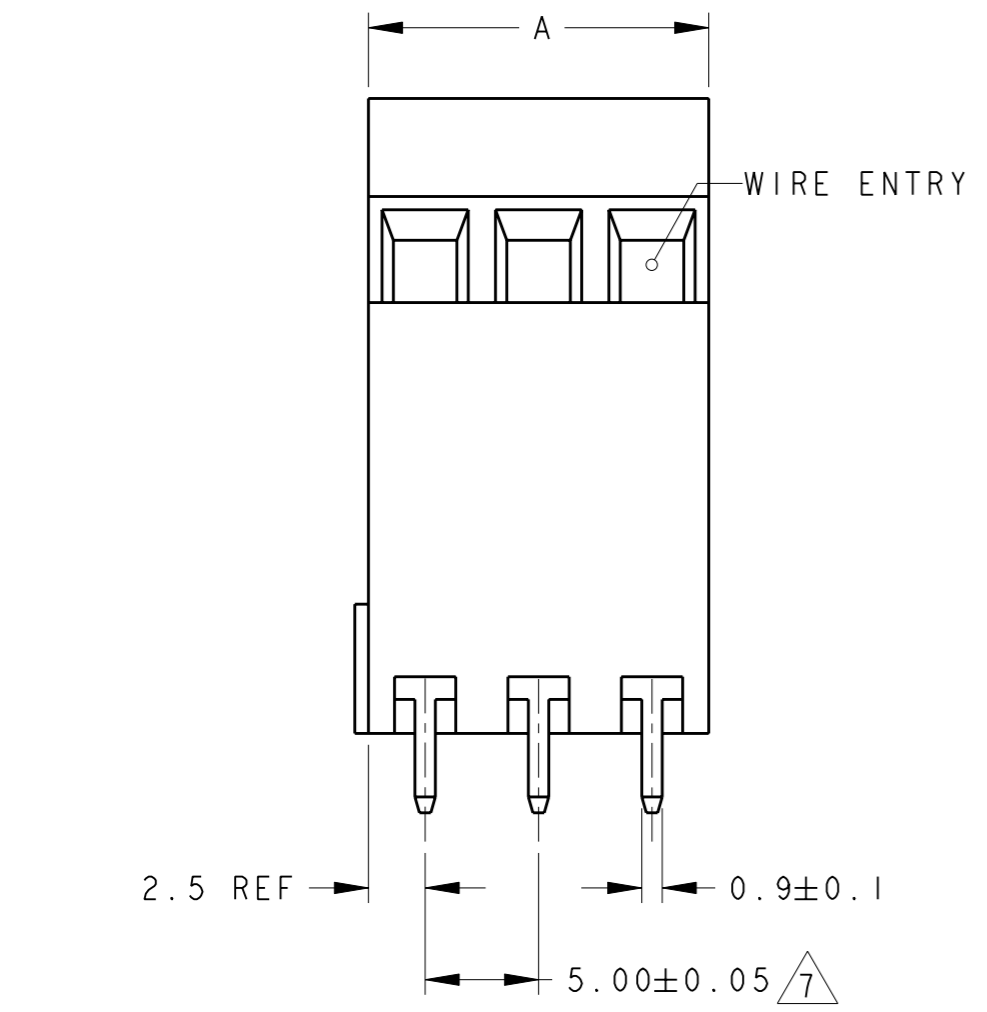
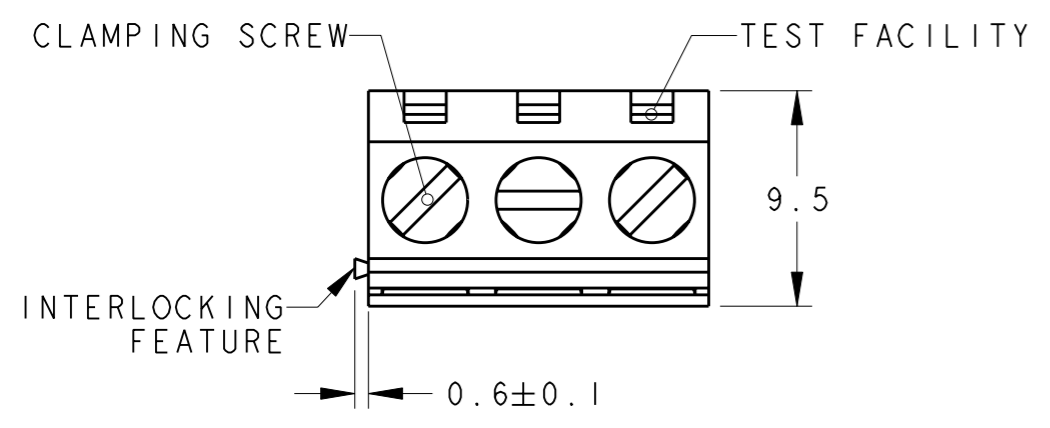
3

2

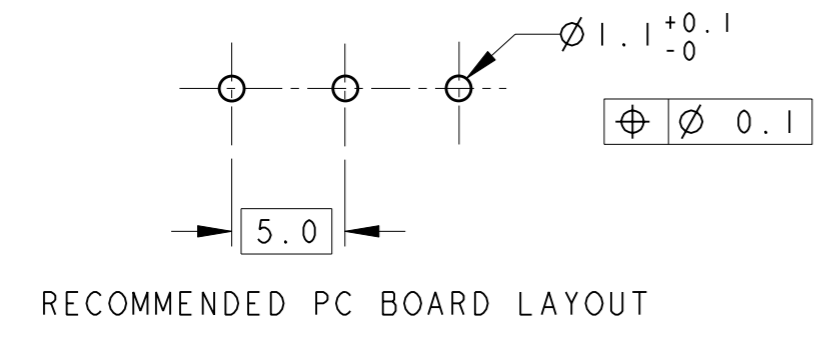
1

THIS DRAWING IS UNPUBLISHED. RELEASED FOR PUBLICATION 20  
 © COPYRIGHT 20 BY TYCO ELECTRONICS CORPORATION. ALL RIGHTS RESERVED.

LOC	DIST	REVISIONS			
P	LTR	DESCRIPTION	DATE	DWN	APVD
FT	0	F2	REVISED PER ECO-11-000339	07JAN2011	HMR CR



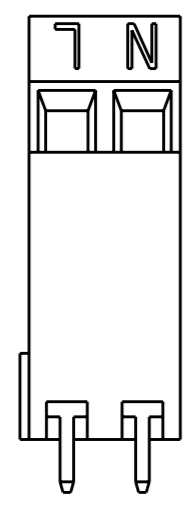
MARKING	DIM. A	No POS.	PART NUMBER
-	50.0	10	1-282884-7
-	45.0	9	1-282884-6
-	40.0	8	1-282884-5
-	30.0	6	1-282884-4
SEE SHEET 2	15.0	3	1-282884-3
PRELIMINARY	-	8	$\nabla$ 9 1-282884-2
PRELIMINARY	SEE SHEET 2	3	1-282884-1
SEE SHEET 2	50.0	10	$\nabla$ 10 1-282884-0
SEE SHEET 2	40.0	8	$\nabla$ 9 282884-9
SEE SHEET 2	10.0	2	282884-8
SEE SHEET 2	10.0	2	282884-7
SEE SHEET 2	15.0	3	282884-6
SEE SHEET 2	15.0	3	282884-5
SEE SHEET 2	10.0	2	282884-4
-	15.0	3	282884-3
-	10.0	2	282884-2



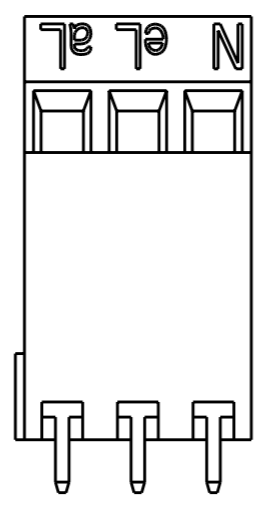
<small>THIS DRAWING IS A CONTROLLED DOCUMENT FOR TYCO ELECTRONICS CORPORATION          IT IS SUBJECT TO CHANGE AND THE CONTROLLING ENGINEERING ORGANIZATION          SHOULD BE CONTACTED FOR THE LATEST REVISION.</small>		DWN 02NOV2001 <b>E. ZANOLINI</b> CHK 02NOV2001 <b>D. BIEVENOUR</b> APVD 02NOV2001 <b>D. BIEVENOUR</b>		<b>Tyco Electronics</b> Tyco Electronics Harrisburg, PA 17105-3608	
DIMENSIONS: mm		TOLERANCES UNLESS OTHERWISE SPECIFIED: 0 PLC ±.3 1 PLC ±.3 2 PLC ±.25 3 PLC ±. 4 PLC ±. ANGLES ±2		NAME <b>TERMINAL BLOCK, PCB MOUNT          3RD LEVEL          STACKING W/ INTERLOCK, 5 mm PITCH</b>	
MATERIAL $\nabla$ 1		FINISH $\nabla$ 1		PRODUCT SPEC 108-21066 APPLICATION SPEC 114-20079 WEIGHT -	
CUSTOMER DRAWING				SIZE A3 CAGE CODE 00779 DRAWING NO C-282884 RESTRICTED TO -	
SCALE 1:1				SHEET 1 OF 3 REV F2	

THIS DRAWING IS UNPUBLISHED. RELEASED FOR PUBLICATION 20  
 © COPYRIGHT 20 BY TYCO ELECTRONICS CORPORATION. ALL RIGHTS RESERVED.

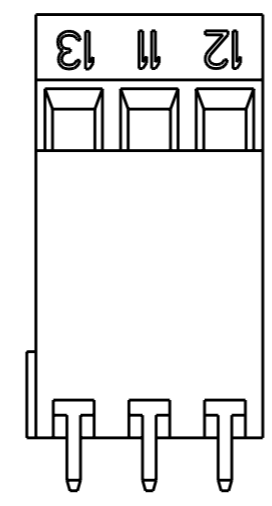
LOC	DIST	REVISIONS			
P	LTR	DESCRIPTION	DATE	DWN	APVD
FT	0	-	SEE SHEET 1	-	-



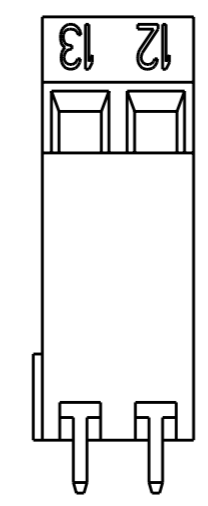
282884-4 AS SHOWN  
 8



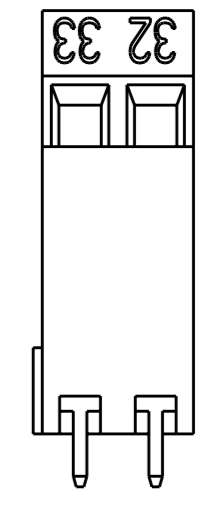
282884-5 AS SHOWN  
 8



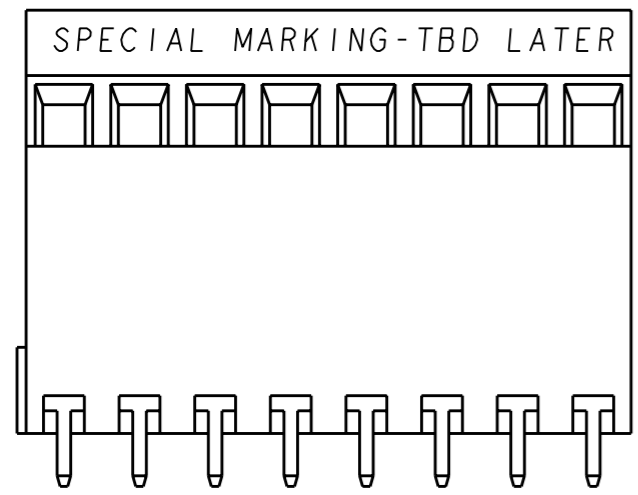
282884-6 AS SHOWN  
 8



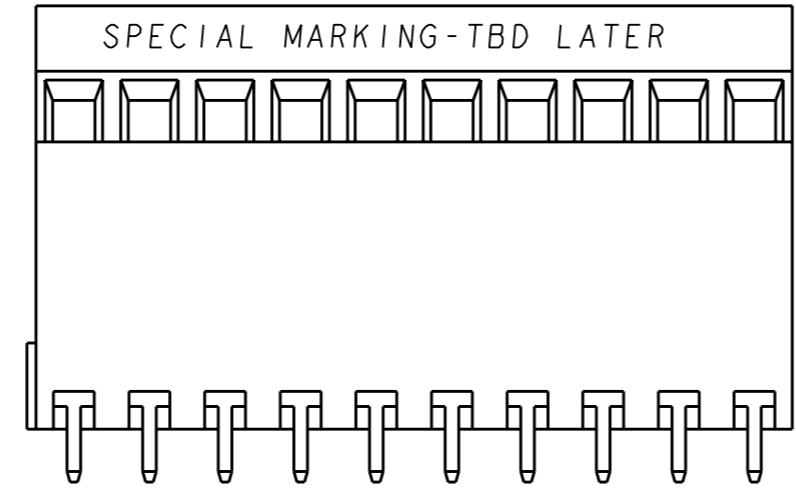
282884-7 AS SHOWN  
 8



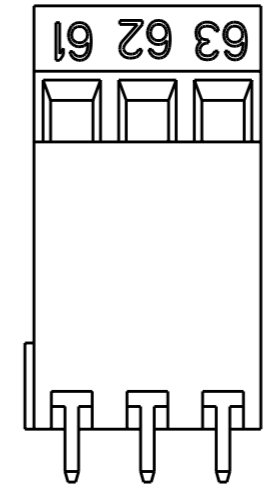
282884-8 AS SHOWN  
 8



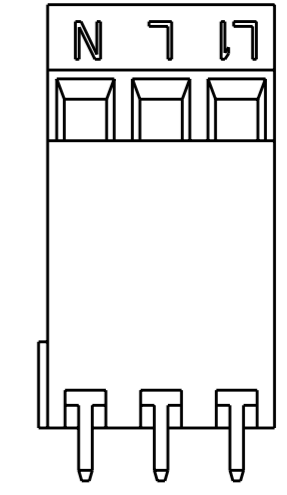
282884-9 AS SHOWN  
 8



1-282884-0 AS SHOWN  
 8



1-282884-1 AS SHOWN  
 8



1-282884-3 AS SHOWN  
 8

<small>THIS DRAWING IS A CONTROLLED DOCUMENT FOR TYCO ELECTRONICS CORPORATION          IT IS SUBJECT TO CHANGE AND THE CONTROLLING ENGINEERING ORGANIZATION          SHOULD BE CONTACTED FOR THE LATEST REVISION.</small>		DWN 02NOV2001 E. ZANOLINI CHK 02NOV2001 D. BIEVENOUR APVD 02NOV2001 D. BIEVENOUR	Tyco Electronics Harrisburg, PA 17105-3608
DIMENSIONS: mm 	TOLERANCES UNLESS OTHERWISE SPECIFIED: 0 PLC ± 1 PLC ±.3 2 PLC ±.25 3 PLC ± 4 PLC ± ANGLES ±2	PRODUCT SPEC 108-21066 APPLICATION SPEC 114-20079 WEIGHT -	NAME TERMINAL BLOCK, PCB MOUNT 3RD LEVEL STACKING W/ INTERLOCK, 5 mm PITCH SIZE A3 CAGE CODE 00779 DRAWING NO C-282884 RESTRICTED TO -
MATERIAL -	FINISH -	CUSTOMER DRAWING	SCALE 2:1 SHEET 2 OF 3 REV F2

THIS DRAWING IS UNPUBLISHED. RELEASED FOR PUBLICATION 20  
 © COPYRIGHT 20 BY TYCO ELECTRONICS CORPORATION. ALL RIGHTS RESERVED.

LOC	DIST	REVISIONS			
P	LTR	DESCRIPTION	DATE	DWN	APVD
		SEE SHEET 1	-	-	-

- 1 MATERIALS AND FINISH  
 HOUSING: PA 6-6, UL 94-V0, COLOR GREEN.  
 CLAMP: BRASS, NICKEL PLATED.  
 TERMINAL: BRASS, TIN PLATED.  
 CLAMPING SCREW: M3, BRASS, NICKEL PLATED.
- 2. SUITABLE FOR 1,6-2,4mm PC BOARD THICKNESS.
- 3. END-TO-END STACKABLE W/INTERLOCK WITHOUT LOSS OF CENTERLINE SPACING.
- 4. WIRE SIZE RANGE: 16-30 AWG.
- 5. RECOGNIZED UNDER THE COMPONENT PROGRAM OF UNDERWRITERS LABORATORIES INC., FILE N° E60677.
- 6. IMQ CERTIFICATE WITH SURVEILLANCE IN CONFORMITY WITH IEC 998-1/998-2-1.
- 7 NOT CUMULATIVE TOLERANCE.
- 8 INK MARKING, BLACK COLOR
- 9 PART NUMBER IS OBTAINED BY ASSEMBLYING AND GLUING TOGETHER No.4 CONNECTORS P/N 282884-2
- 10 PART NUMBER IS OBTAINED BY ASSEMBLYING AND GLUING TOGETHER No.5 CONNECTORS P/N 282884-2

<small>THIS DRAWING IS A CONTROLLED DOCUMENT FOR TYCO ELECTRONICS CORPORATION          IT IS SUBJECT TO CHANGE AND THE CONTROLLING ENGINEERING ORGANIZATION          SHOULD BE CONTACTED FOR THE LATEST REVISION.</small>		DWN 02NOV2001 <b>E. ZANOLINI</b>		Tyco Electronics Harrisburg, PA 17105-3608	
DIMENSIONS: mm		TOLERANCES UNLESS OTHERWISE SPECIFIED: 0 PLC ±.		NAME <b>TERMINAL BLOCK, PCB MOUNT          3RD LEVEL          STACKING W/ INTERLOCK, 5 mm PITCH</b>	
		1 PLC ±.3 2 PLC ±.25 3 PLC ±. 4 PLC ±. ANGLES ±2		PRODUCT SPEC 108-21066	
MATERIAL -		FINISH -		APPLICATION SPEC 114-20079	
		WEIGHT -		SIZE CAGE CODE DRAWING NO RESTRICTED TO A3 00779 C-282884 -	
CUSTOMER DRAWING				SCALE 1:1 SHEET 3 OF 3 REV F2	