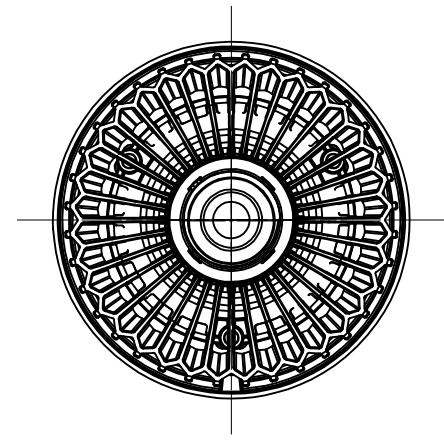
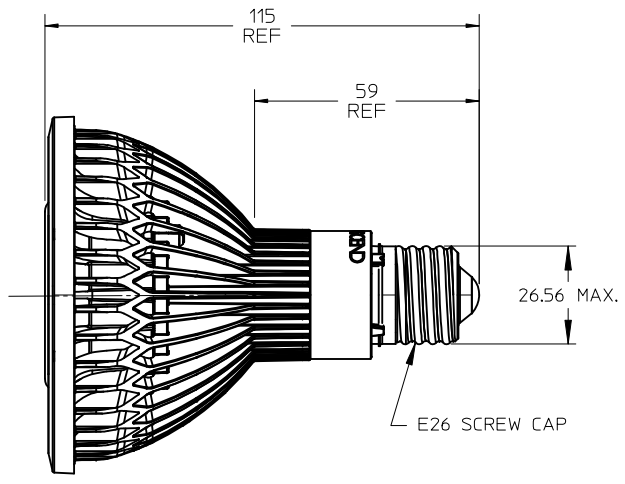
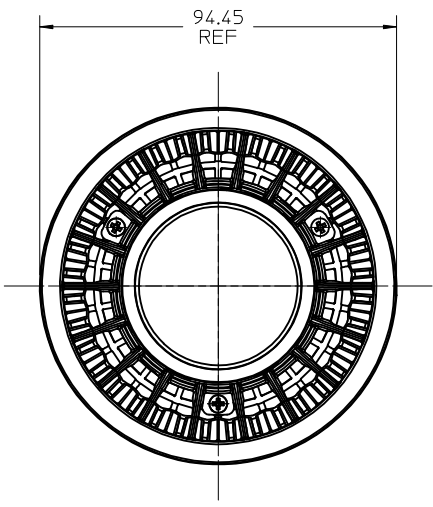
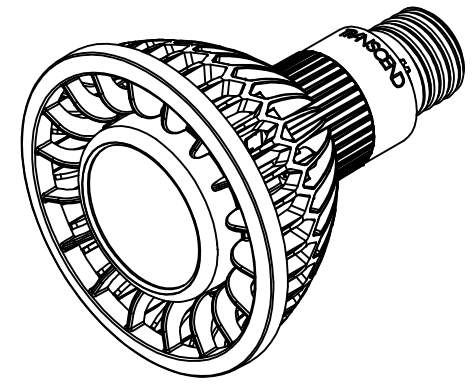


| KIT MATERIAL NO. | DESCRIPTION | SPQ | PACKAGING SPECIFICATION | LAMP P/N MARKING |
|------------------|---|-----|-------------------------|------------------|
| 1801302021 | PAR30-L LED LAMP IN TRAY PACKAGING | 16 | E-180130-900 | 1801302020 |
| 1801302022 | PAR30-L LED LAMP IN CLAMSHELL PACKAGING | 4 | E-180130-901 | 1801302020 |



- NOTES:
- 1) MEETS UL 1993 TESTING FOR SELF BALLASTED LAMPS AND LAMP ADAPTERS.
 - 2) UL FILE E322950.
 - 3) OPERATING VOLTAGE: 120VOLTS @ 60HZ
 - 4) POWER CONSUMPTION: 12.5 WATTS.
 - 5) LUMEN OUTPUT: 700 LUMENS.
 - 6) COLOR TEMP: 3000K
 - 7) POWER FACTOR: GREATER THAN 0.90.
 - 8) SUITABLE FOR DAMP ENVIRONMENT.
 - 9) DO NOT USE WHERE DIRECTLY EXPOSED TO WATER.
 - 9) NOT FOR USE IN TOTALLY ENCLOSED FIXTURES.

| | | | | | | | |
|--|--|---|--|--|--|---|---|
| PROD. RELEASE EC NO: SSL2013-0047 DRWNG: DACHAMME 2012/10/16 CHKD: DACHAMMER 2012/10/16 APPR: DMCGOWAN 2012/10/17 | QUALITY SYMBOLS = 0 = 0 = 0 | GENERAL TOLERANCES (UNLESS SPECIFIED) | | DIMENSION STYLE MM ONLY | SCALE 1:1 | DESIGN UNITS METRIC | THIRD ANGLE PROJECTION |
| | | 4 PLACES ± --- ± --- 3 PLACES ± --- ± --- 2 PLACES ± 0.13 ± --- 1 PLACE ± 0.25 ± --- | mm INCH ± --- ± --- ± 0.13 ± --- ± 0.25 ± --- | DRAWN BY DATE FJAKL I C 2011/03/24 | CHECKED BY DATE ACHAMMER 2011/11/15 | APPROVED BY DATE DMCGOWAN 2011/11/29 | TITLE TRANSCEND PAR30-L LED LAMP |
| REV B | DESCRIPTION DRAFT WHERE APPLICABLE MUST REMAIN WITHIN DIMENSIONS | ANGULAR ±1/2° | | MATERIAL NO. SEE CHART | DOCUMENT NO. SD-180130-001 | MOLEX INCORPORATED | |
| | | | | SIZE C | THIS DRAWING CONTAINS INFORMATION THAT IS PROPRIETARY TO MOLEX INCORPORATED AND SHOULD NOT BE USED WITHOUT WRITTEN PERMISSION | | |