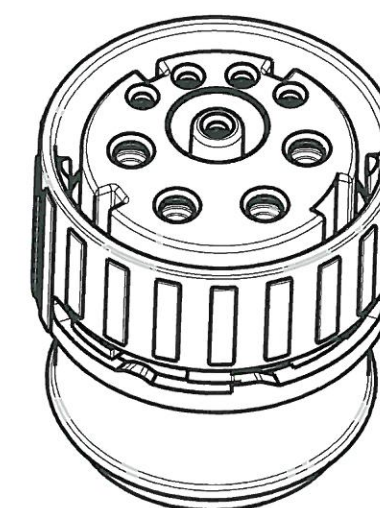
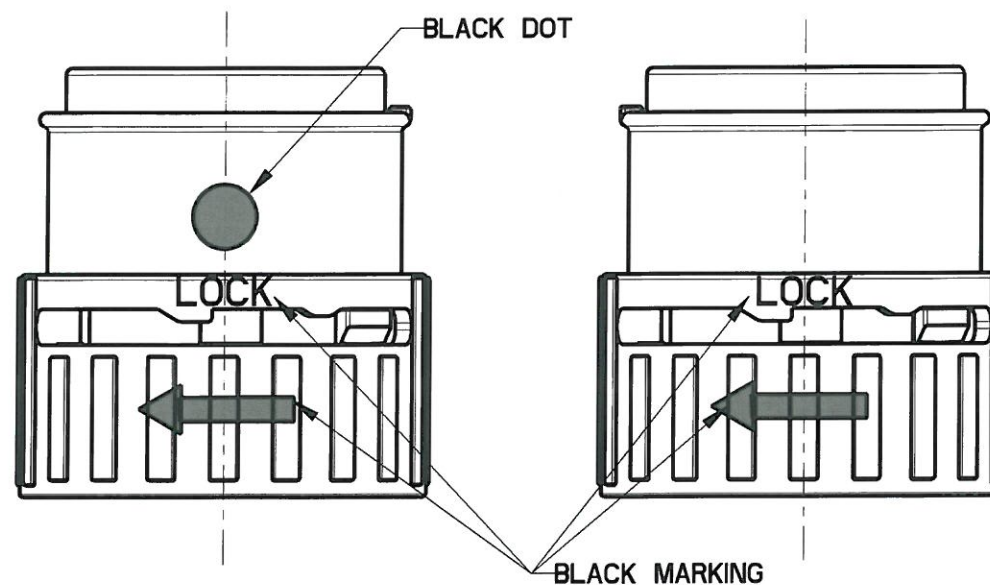
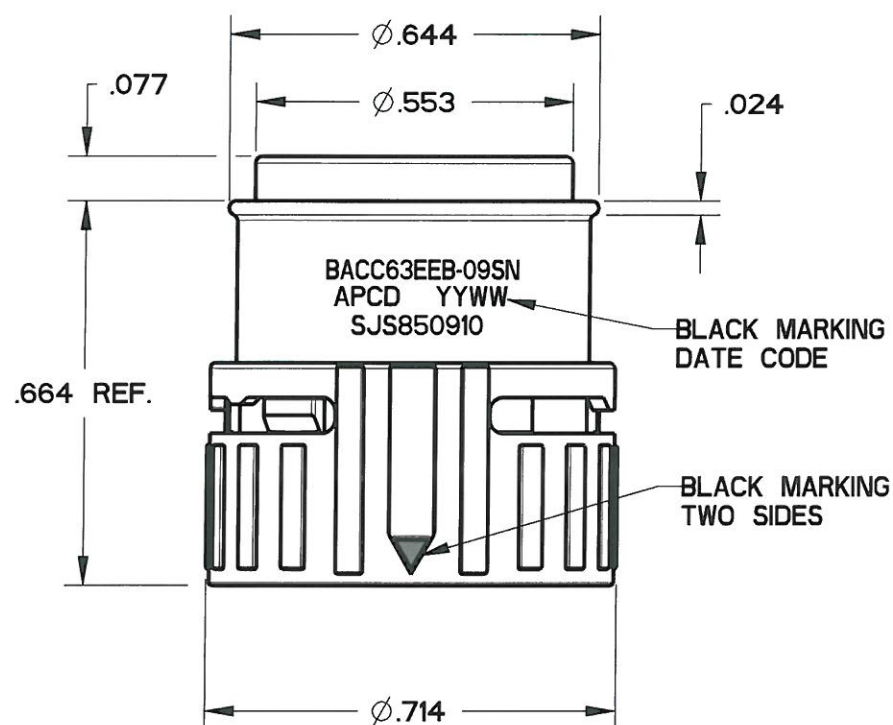
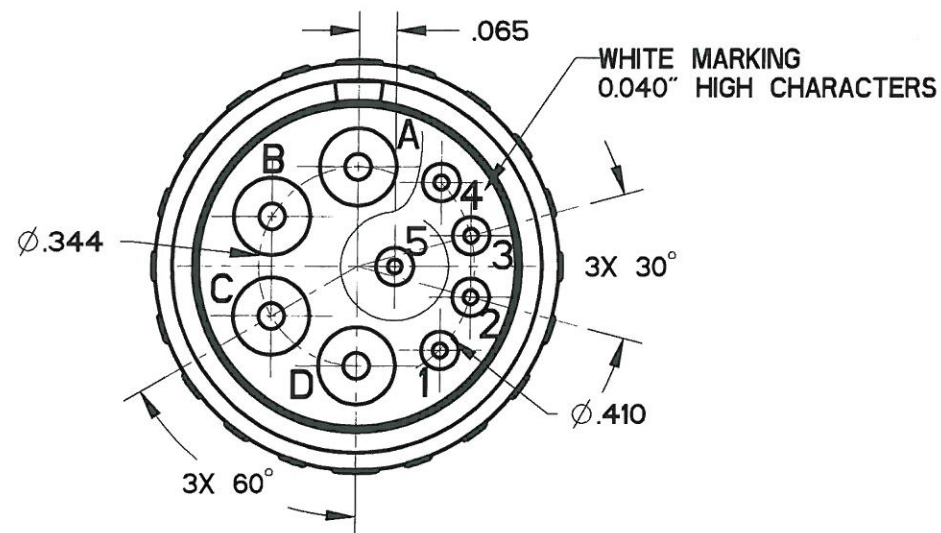


REV	ECN	APP'D
-	6481	JT 2/22/10
A	6487	JT 2/25/10
B	6573	JT 8/30/10
C	6655	JT 1/18/11



SCALE 8:3

- NOTES:
- MATERIALS:
HOUSING: PA6/6
CONTACT RETAINER: STAINLESS STEEL
GROMMET: SILICONE RUBBER PER A-A-59588
 - MATING CONTACTS: SEE TABLE I
 - TEST SPECIFICATION: BACC63EE
 - WHEN ASSEMBLED, "LOCK" AND ARROW MARKINGS MUST ALIGN WITH BLACK DOT
 - PART MATES WITH SJS850900
 - WEIGHT: 3.3 GRAMS
 - SUPPLIED WITH DUST CAP

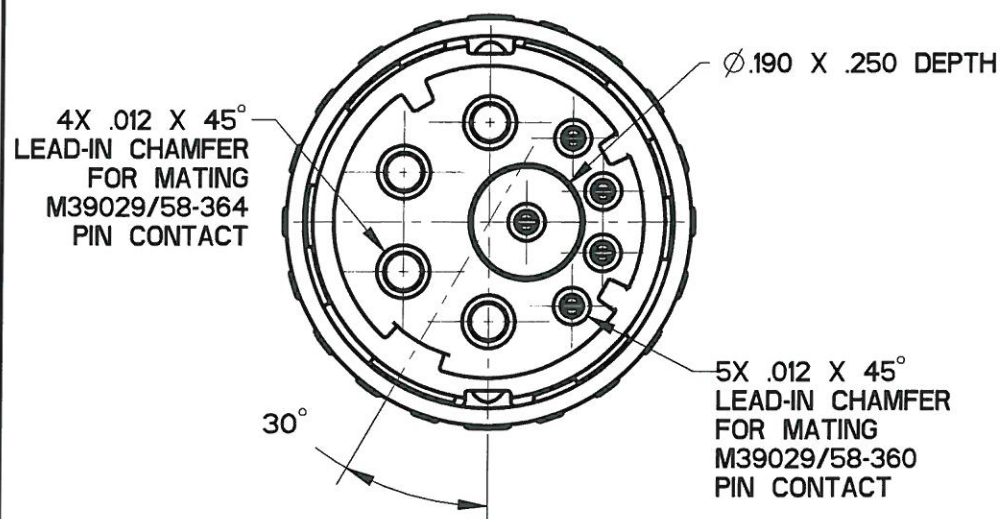


TABLE I

APCD P/N	BOEING P/N	P/N MARKING(S)	CONTACTS SUPPLIED
SJS850910	BACC63EEB-09SNH	BACC63EEB-09SN	NONE
SJS850911	BACC63EEB-09SN	SJS850910	(5) M39029/57-354 (4) M39029/57-358

DIMENSIONS ANSI Y14.5M UNITS: INCHES Pro/E FILE	TOLERANCES .XX ±0.01 .XXX ±0.005 ANGLES ±1.0°	PROJECTION 	Amphenol Pcd SPECIFICATION DRAWING		TITLE REF SPEC BACC63EE 4P SZ16 & 5P SZ22 WHITE PLUG FOR SJS	
			ENGR Frank.Li 15-Mar-09	CHKD <i>[Signature]</i> 1/18/11	APPD <i>[Signature]</i> 1/18/11	SIZE B
ORIGINAL 	THIS DOCUMENT CONTAINS PROPRIETARY INFORMATION WHICH IS THE CONFIDENTIAL PROPERTY OF AMPHENOL PCD INC., BEVERLY, MA			CODE: 58982	SCALE: 3:1	SHEET 1 OF 1

SJS850910

SJS850910