

4

3

2

1

THIS DRAWING IS UNPUBLISHED.

RELEASED FOR PUBLICATION

, 19

© COPYRIGHT 19

BY AMP INCORPORATED. ALL RIGHTS RESERVED.

LOC

DIST

REVISIONS

G

14

P

LTR

DESCRIPTION

DATE

DWN

APVD

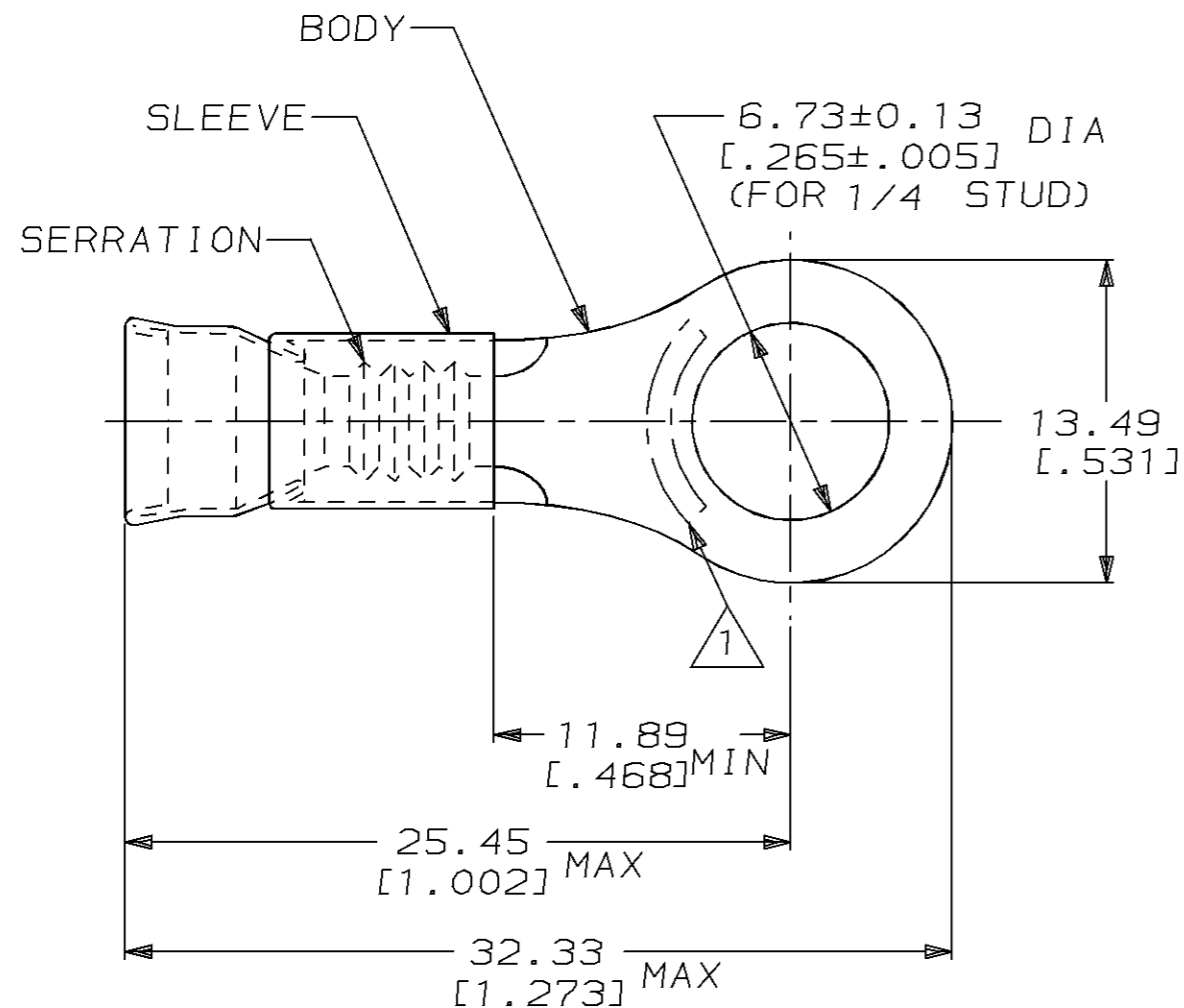
C

REV / 0L20-0042-96

07JAN97

ME

TM



△ STAMP AMP 12-10*APPROX AS SHOWN

2. WIRE INSUL DIA, 3.81-5.84 [.150-.230]

3. TONGUE MATL THK, 1.02±0.05 [.040±.002]

500	LOOSE PIECE	323069
QTY	PACKAGE TYPE	PART NO

AMP INCORPORATED
CUSTOMER SERVICE SYSTEM

MAX RECOMMENDED OPERATING
TEMPERATURE:
343°C [650°F]

THIS DRAWING IS A CONTROLLED DOCUMENT FOR AMP INCORPORATED.
IT IS SUBJECT TO CHANGE AND THE CONTROLLING ENGINEERING
ORGANIZATION SHOULD BE CONTACTED FOR THE LATEST REVISION.

DWN L OLMEDA 100CT94

CHK M ELLIS 100CT94

APVD S BORTNER 100CT94

PRODUCT SPEC

APPLICATION SPEC

WEIGHT -

CUSTOMER DRAWING

AMP AMP Incorporated
Harrisburg, PA 17105-3608

NAME TERMINAL, RING TONGUE,
STRATO-THERM™, DIAMOND GRIP™,
WIRE SIZE, 12-10 AWG

SIZE A3 CAGE CODE 00779 DRAWING NO C-323069

SCALE 4:1 SHEET 1 OF 1 REV C

FOR ADDITIONAL
PRODUCT INFORMATION OR
COPIES OF DRAWINGS
AND TECHNICAL DOCUMENTS

PRODUCT INFORMATION CENTER
1-800-522-6752

FOR APPLICATION
TOOLING INFORMATION

TOOLING ASSISTANCE CENTER
1-800-722-1111

FOR ORDER ENTRY

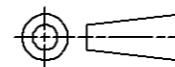
1-800-526-5142

VOLTAGE RATING:
-

CIRCULAR MIL AREA:
2.62mm²-6.64mm² [5180-13100]

STRANDED WIRE

DIMENSIONS:
mm [in]



TOLERANCES UNLESS
OTHERWISE SPECIFIED:

0 PLC ±-
1 PLC ±-
2 PLC ±0.20 [0.008]
3 PLC ±-
4 PLC ±-
ANGLES ±-

MATERIAL
BODY, CU PER ASTM B152
SLEEVE, NI SIL PER
ASTM B122

FINISH
BODY, NP, QQ-N-290