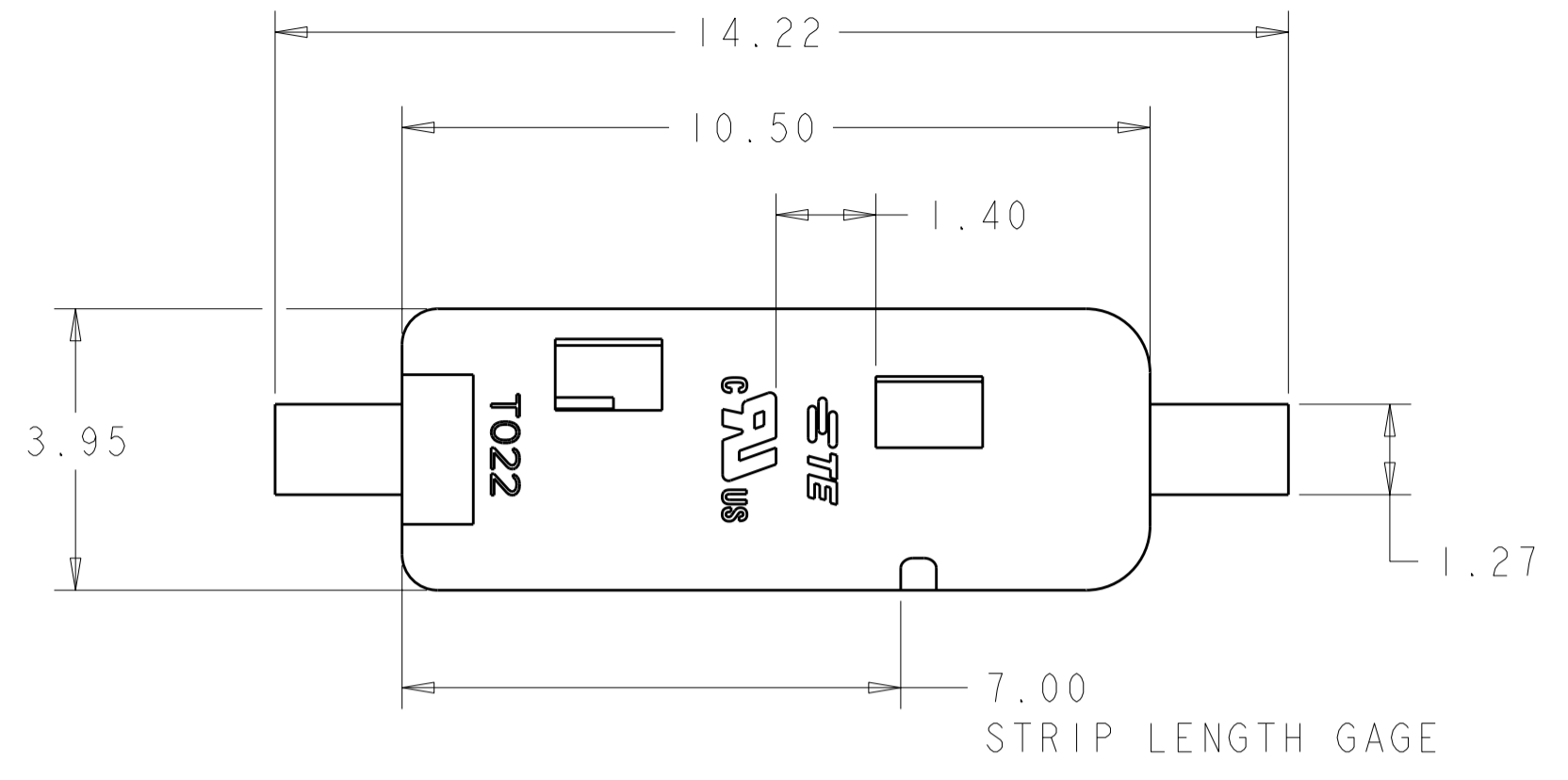
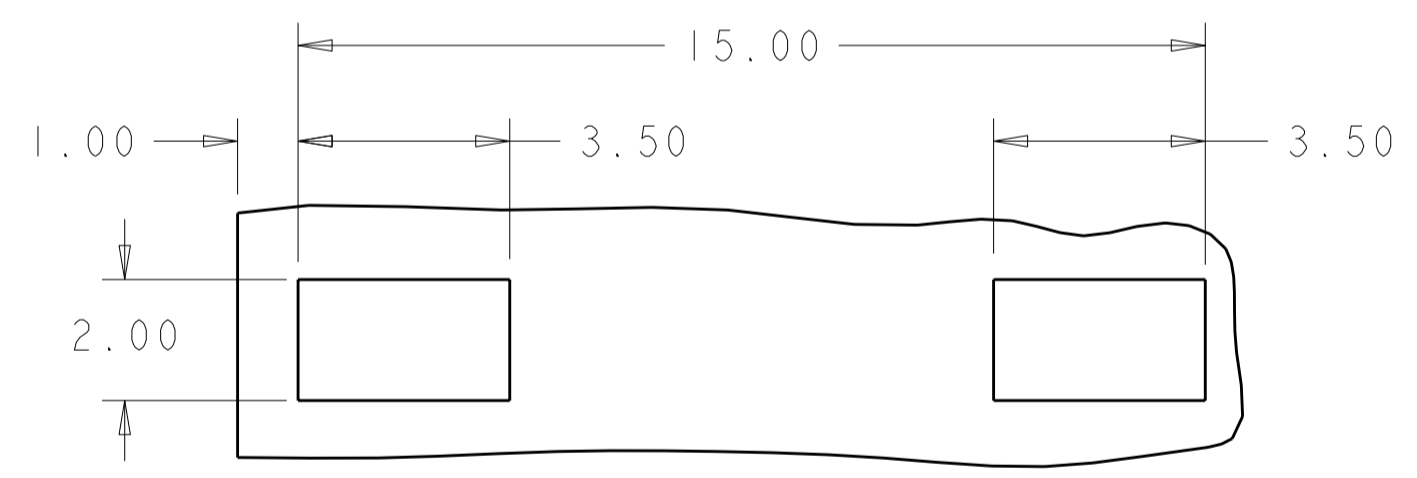
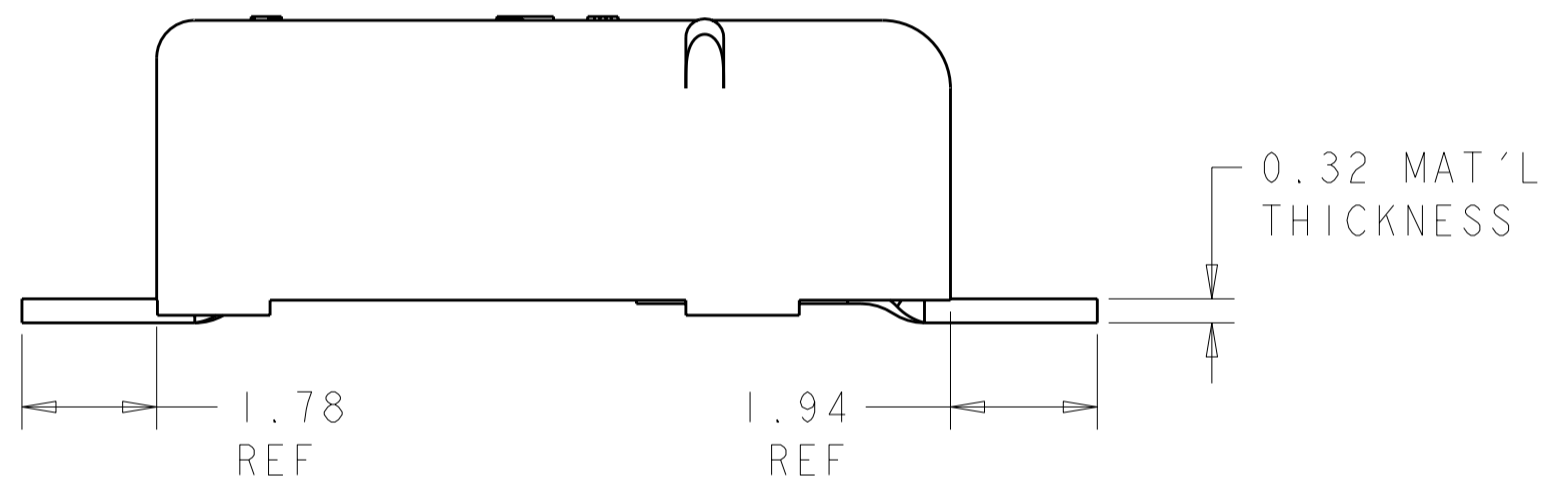
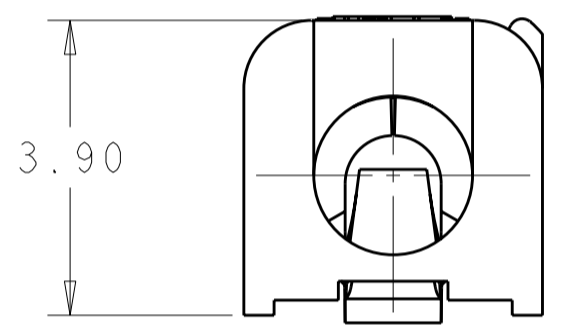


THIS DRAWING IS UNPUBLISHED. RELEASED FOR PUBLICATION 20
 © COPYRIGHT 20 ALL RIGHTS RESERVED.

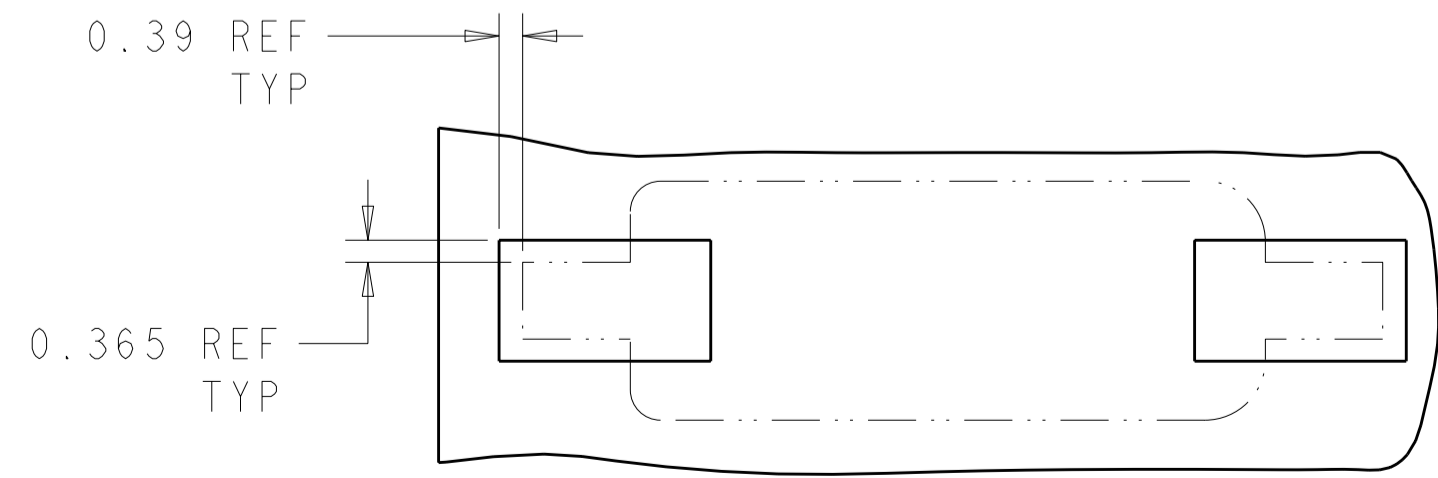
| REVISIONS | | | | | |
|-----------|-----|---------------------------|-----------|-----|------|
| P | LTR | DESCRIPTION | DATE | DWN | APVD |
| A2 | | REVISED PER ECR-09-006358 | 19MAR2009 | HMR | DD |
| A3 | | REVISED PER ECR-11-011090 | 03JUN2011 | SK | DD |



1. MATERIALS AND FINISH:
 - HOUSING: LCP, COLOR: WHITE
 - CONTACTS: COPPER ALLOY, FINISH: TIN
2. MUST COMPLY WITH DIRECTIVE 2002/95/EC (ROHS)
3. WIRE TYPES AND SIZES ACCEPTED
 18, 20 AND 22 AWG SOLID WIRE
 18 AND 20 AWG PREBOND STRANDED WIRE
 18 AWG STRANDED WIRE (16 STRAND COUNT)
 MAX INSULATION OD: 2.10 MM (.083")
 STRIP LENGTH: 7.0±1.0 (.276")
4. PACKAGED IN TAPE AND REEL.



RECOMMENDED PCB LAYOUT
 SCALE 8:1



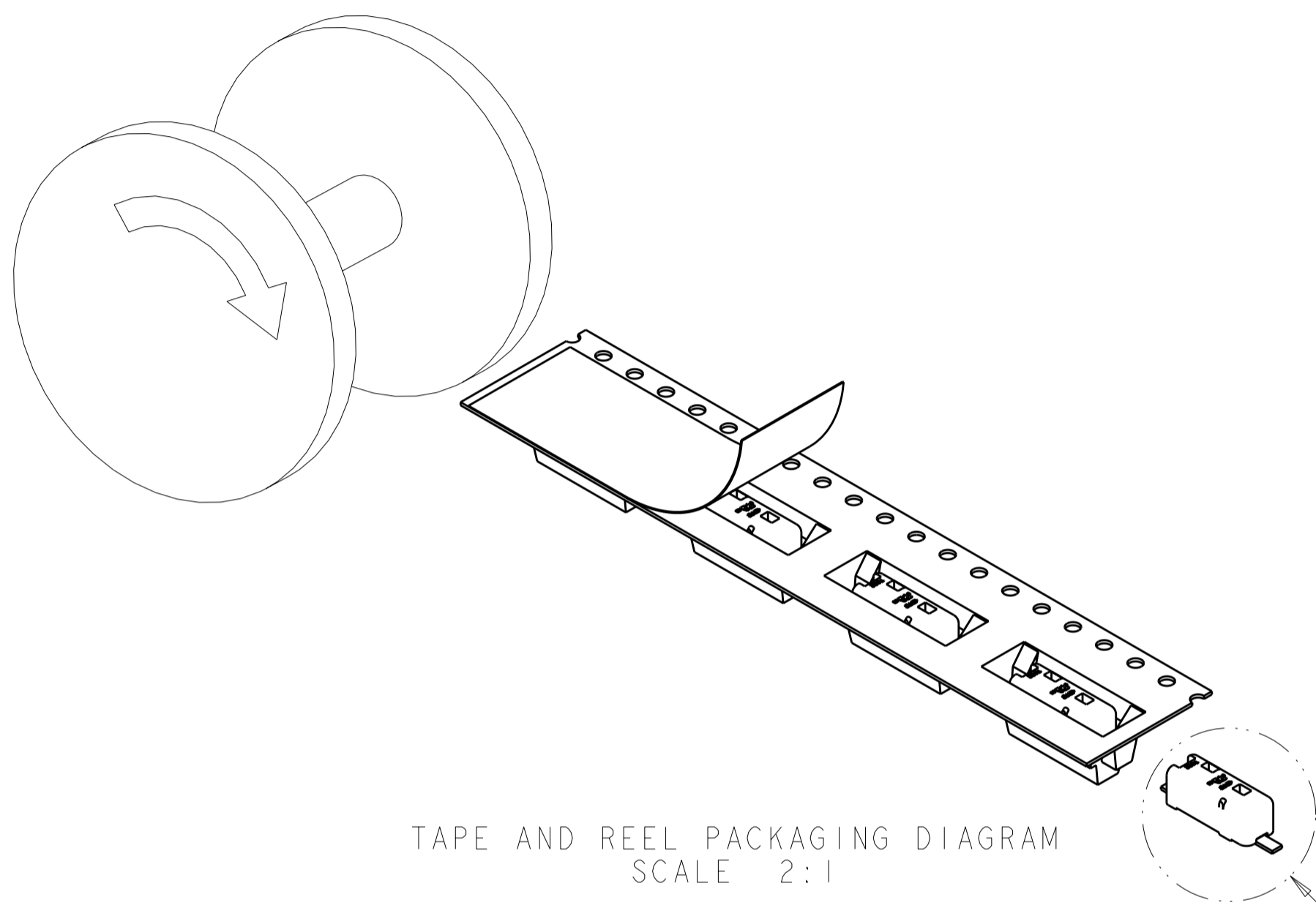
RECOMMENDED CONNECTOR PLACEMENT
 SCALE 8:1

| | | |
|----------|-------|-------------|
| 5 | BLACK | 2008563-2 |
| 1 | WHITE | 2008563-1 |
| MATERIAL | COLOR | PART NUMBER |

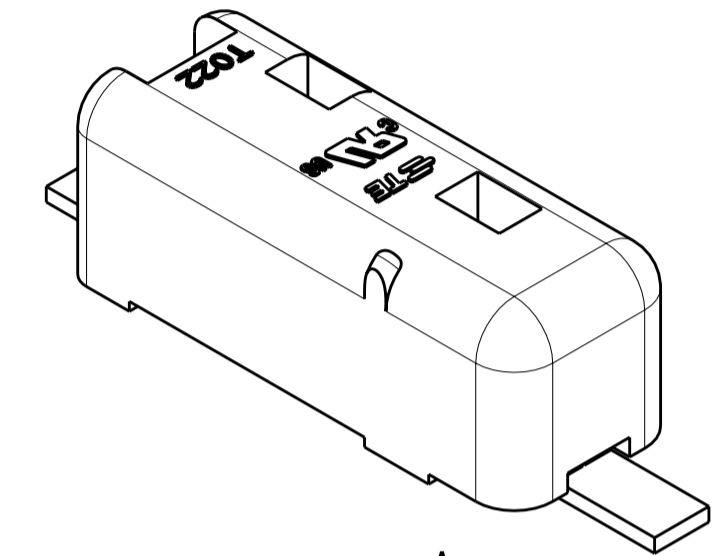
| | | | | |
|--|------------|--------------------------|--|---------------------|
| THIS DRAWING IS A CONTROLLED DOCUMENT. | | DWN: GURURAJ S 17OCT2007 | TE Connectivity | |
| DIMENSIONS: mm | | CHK: - | NAME: POKE-IN CONNECTOR ASSEMBLY, 1 POSITION SMT | |
| TOLERANCES UNLESS OTHERWISE SPECIFIED: | | APVD: - | SIZE: A2 | |
| 0 PLC ± | 1 PLC ±0.5 | PRODUCT SPEC: - | CAGE CODE: 200779 | DRAWING NO: 2008563 |
| 2 PLC ±0.10 | 3 PLC ± | APPLICATION SPEC: - | RESTRICTED TO: - | |
| 4 PLC ± | ANGLES ±3° | WEIGHT: - | SCALE: 10:1 | SHEET 1 OF 2 |
| FINISH | | CUSTOMER DRAWING | REV: A3 | |

THIS DRAWING IS UNPUBLISHED. RELEASED FOR PUBLICATION 20
 © COPYRIGHT 20 ALL RIGHTS RESERVED.

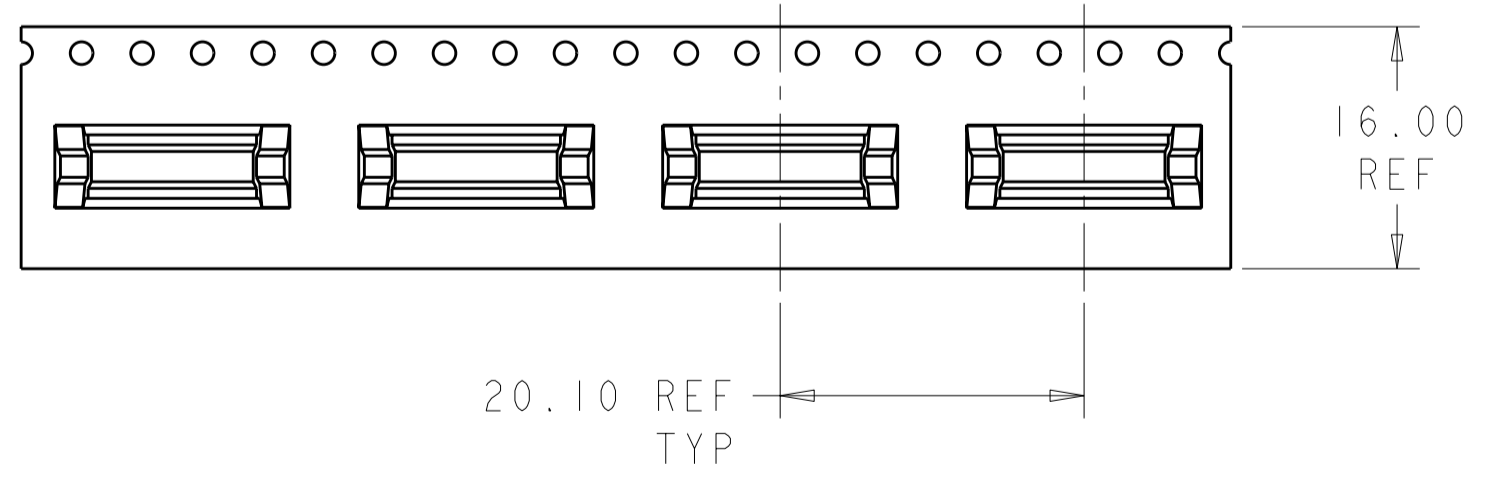
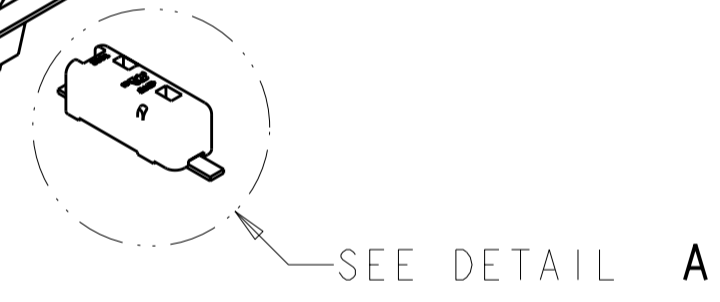
| LOC | DIST | REVISIONS | | | | |
|-----|------|-------------|------|-----|------|--|
| P | LTR | DESCRIPTION | DATE | DWN | APVD | |
| - | - | SEE SHEET 1 | - | - | - | |
| | | | | | | |
| | | | | | | |



TAPE AND REEL PACKAGING DIAGRAM
 SCALE 2:1



DETAIL A
 SCALE 8:1



| | | | | | |
|--|--|--|-----------|-----------------------|------------------------|
| THIS DRAWING IS A CONTROLLED DOCUMENT. | | DWN GURURAJ S | 17OCT2007 | TE Connectivity | |
| DIMENSIONS: mm | | CHK - | APVD - | | |
| | | TOLERANCES UNLESS OTHERWISE SPECIFIED: | | PRODUCT SPEC - | |
| MATERIAL SEE TABLE | | FINISH SEE TABLE | | APPLICATION SPEC - | |
| SEE TABLE | | SEE TABLE | | SIZE A200779 | CAGE CODE C-2008563 |
| CUSTOMER DRAWING | | WEIGHT - | | DRAWING NO - | RESTRICTED TO - |
| SCALE 10:1 | | SHEET 2 OF 2 | | REV A3 | |