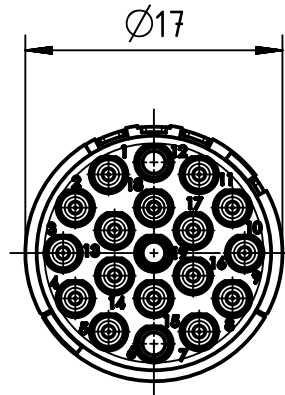
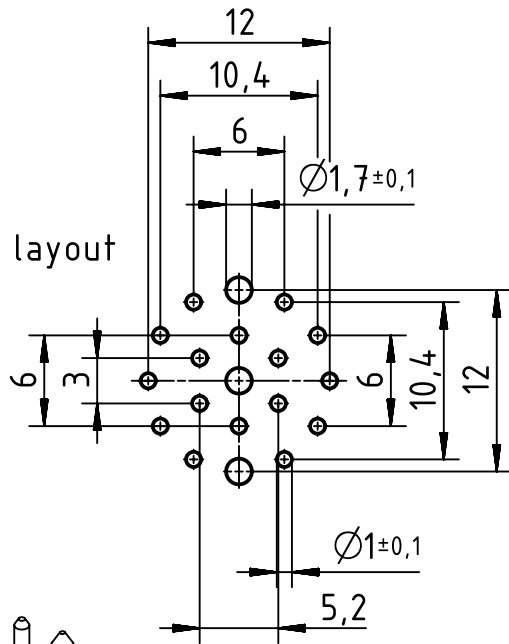
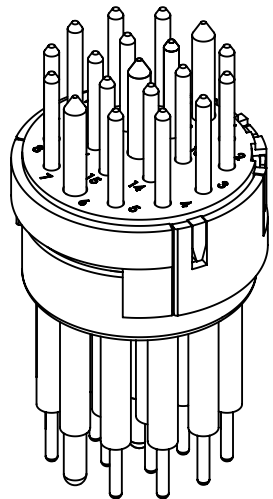
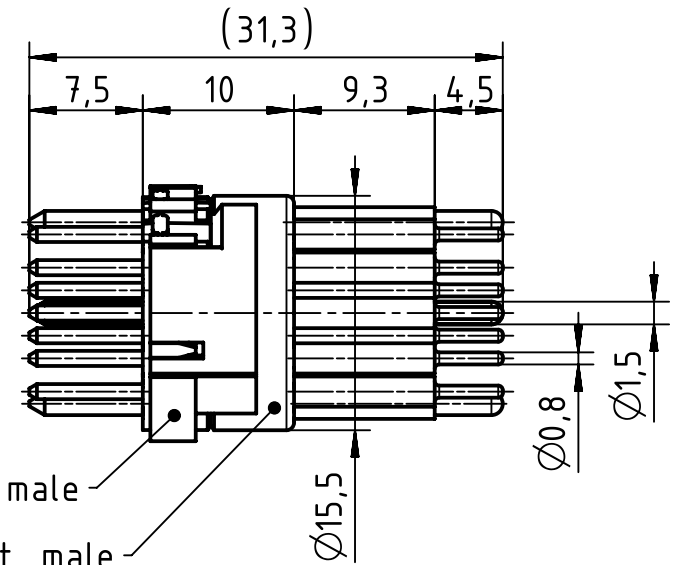


PCB layout



upper part, male

bottom part, male



16x1mm and 3x1,5mm contacts

| | | | | | | |
|---|--|--|--|--------------------------|----------------------------|--|
| | All Dimensions in mm Original Size DIN A4 | | Scale 2:1 | Free size tol. | | Ref. |
| | | | | | | Sub. |
| | All rights reserved | | Created by HELLMANN | Inspected by RIEPE | Standardisation RUETERA | Date 2017-02-23 |
| | Department EL PD - DE | | | | | State Final Release |
| HARTING Electric GmbH & Co. KG D-32339 Espelkamp | | | Title Han M23 19 Male -soldered contact | | | Doc-Key / ECM-Nr. 100709618/UGD/000/A 500000115496 |
| | | | Type TB | Number 09 15 119 2603 | | Rev. A |
| | | | | | | Page 1/1 |