

4

3

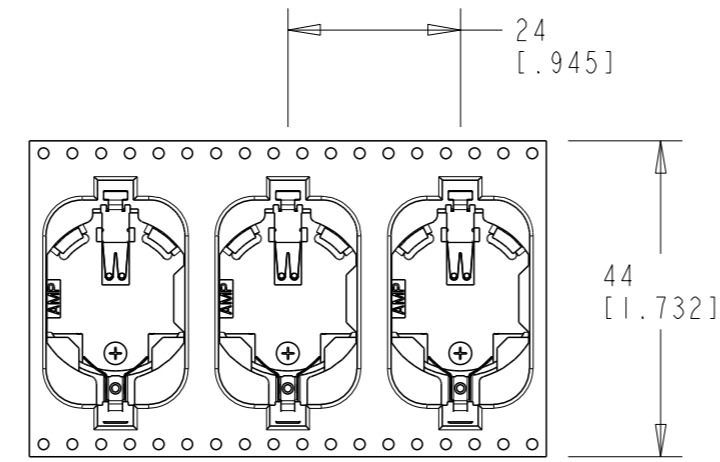
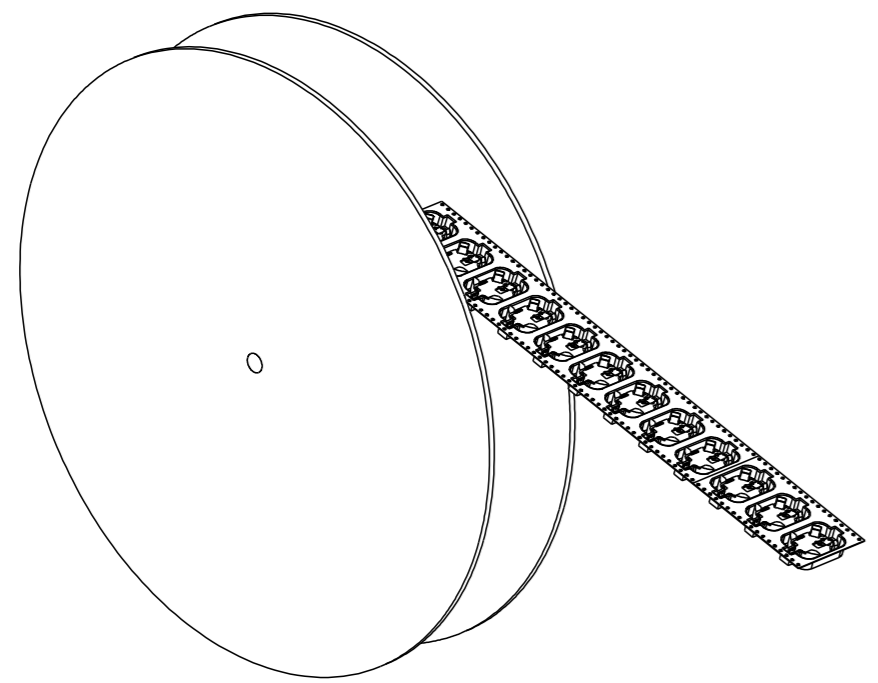
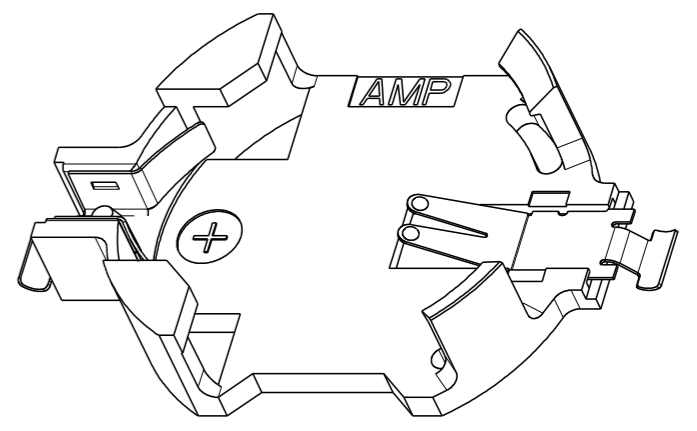
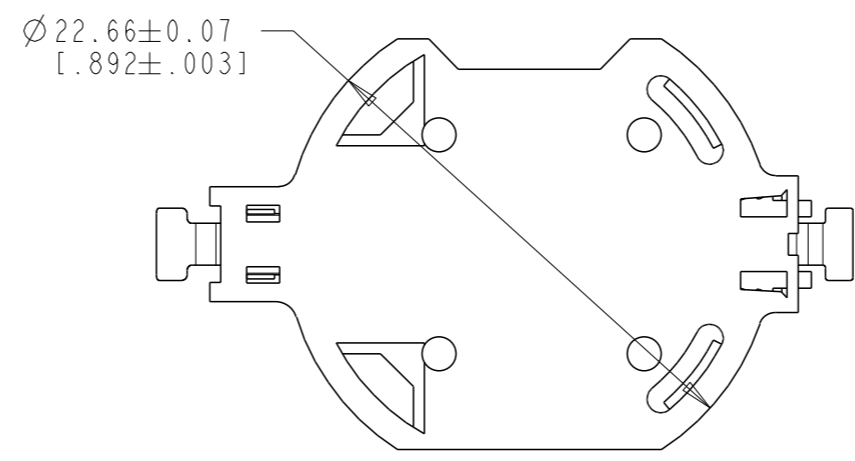
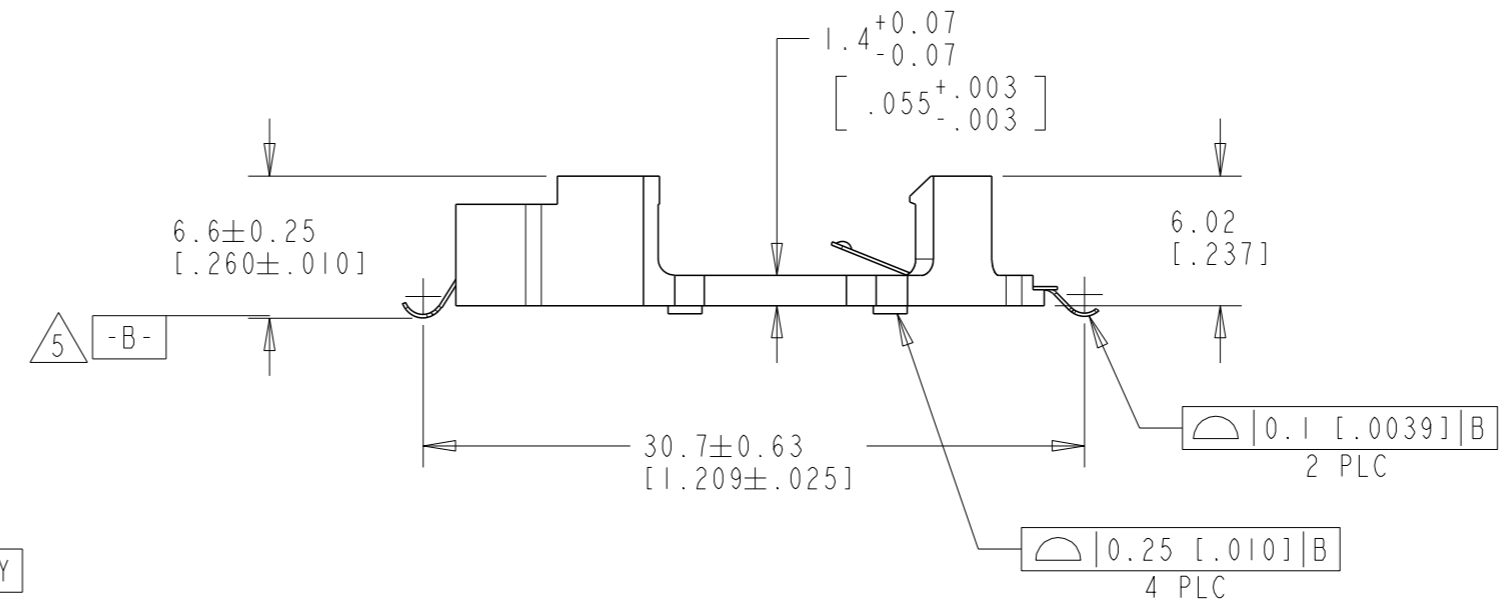
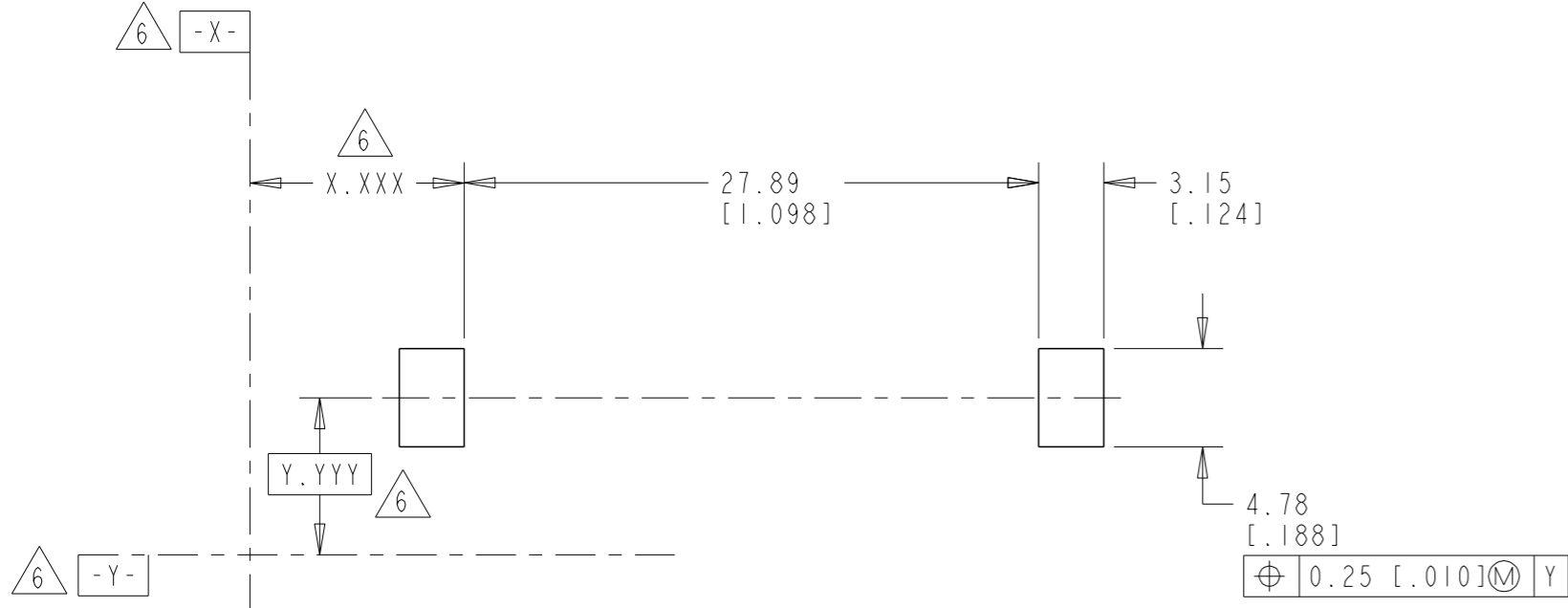
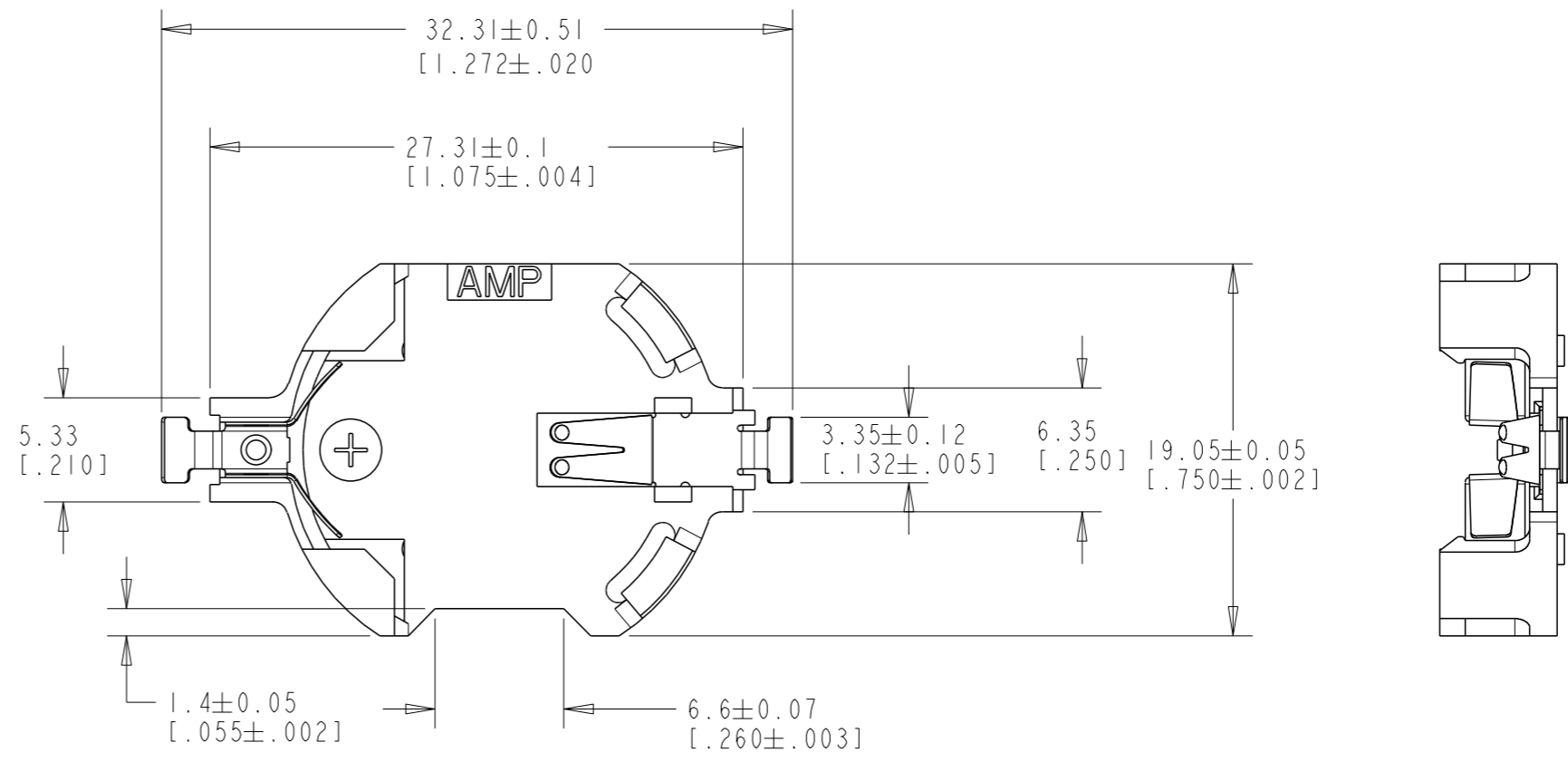
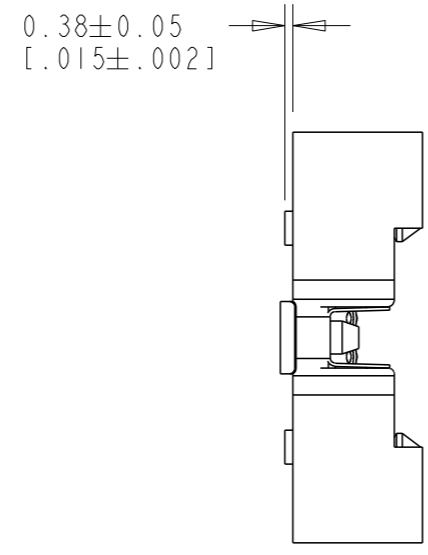
2

1

THIS DRAWING IS UNPUBLISHED. RELEASED FOR PUBLICATION  
 © COPYRIGHT ALL RIGHTS RESERVED.

LOC		DIST		REVISIONS			
P	LTR	DESCRIPTION	DATE	DWN	APVD		
AD	00						
	D2	REVISED PER ECO-11-005033	20APR11	RK	HMR		

- 1 HOUSING: HIGH TEMPERATURE 94V-0 RATED LCP  
COLOR NATURAL.
- CONTACTS: PHOSPHOR BRONZE.
- 2 CONTACTS: 0.0200-0.0004[.000080-.000157] TIN.
- 3. CONNECTOR ACCEPTS BATTERY CR2032.
- 4. PACKAGING: TAPE AND REEL.  
TAPE & SPROCKET HOLES DIMENSIONS  
PER EIA-481-3 WITH 330.0 [13.0] DIA. CARDBOARD SIDES
- 5 DATUM **-B-** IS ESTABLISHED BY ANY CONTACT OR  
HOUSING SURFACES CONTACTING A REFERENCE PLANE.
- 6 DATUMS AND DIMENSIONS ESTABLISHED BY CUSTOMER.



→  
DIRECTION OF FEED  
OFF TOP OF REEL

796136-1  
PART NUMBER

DWN J. GERACE 13AUG99		TE Connectivity	
CHK K. BENJAMIN 13AUG99			
APVD K. BENJAMIN 13AUG99		NAME	
PRODUCT SPEC		ASSEMBLY	
APPLICATION SPEC		BATTERY CONNECTOR, SURFACE MOUNT, TOP LOAD	
WEIGHT		SIZE A2	CAGE CODE 00779
CUSTOMER DRAWING		DRAWING NO. C=796136	RESTRICTED TO
SCALE 3:1		SHEET 1	REV D2

796136

A