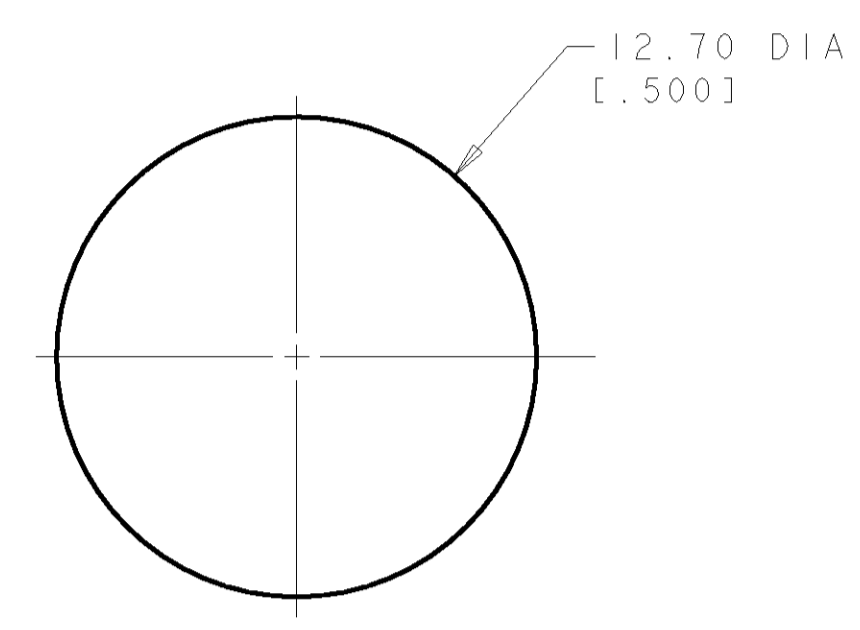
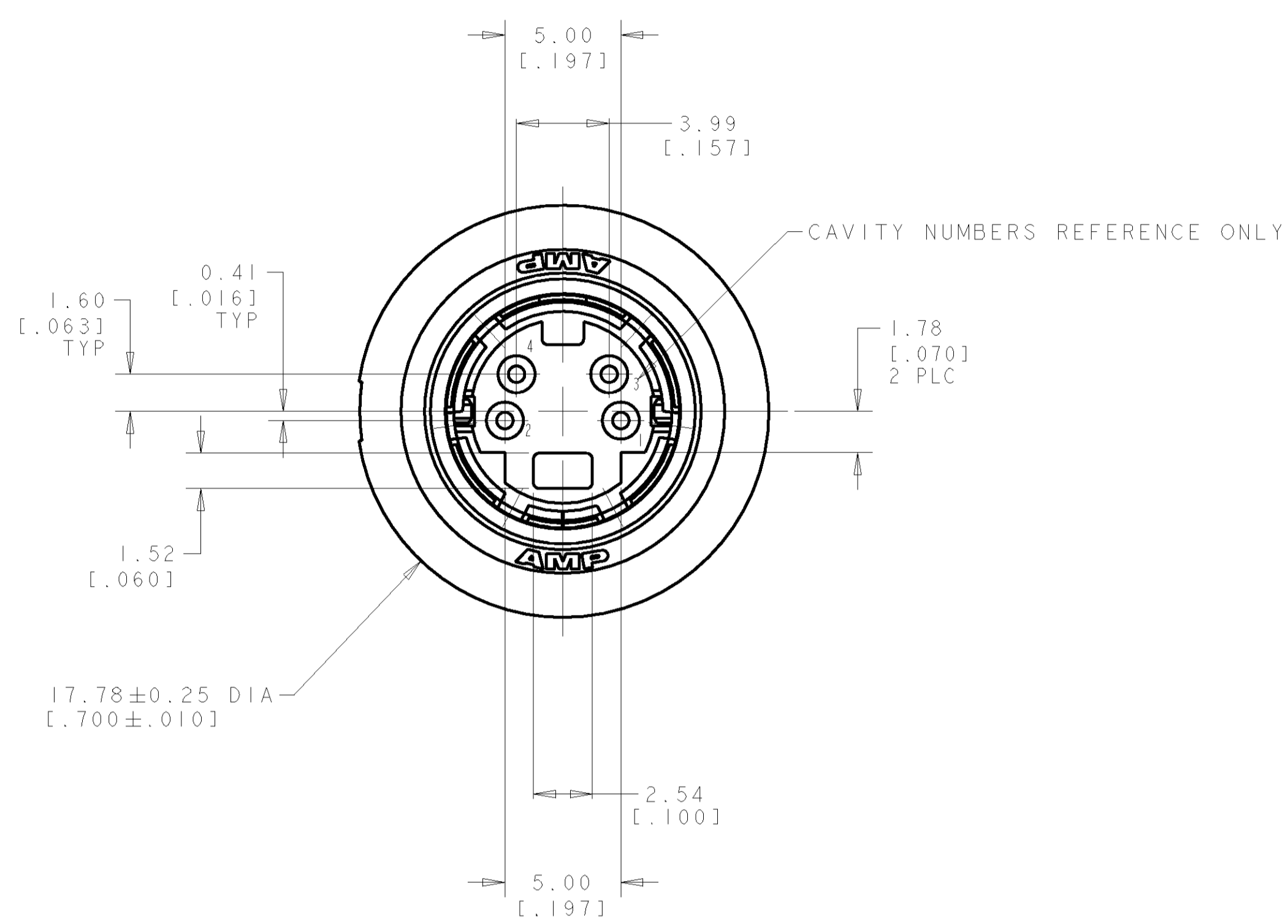
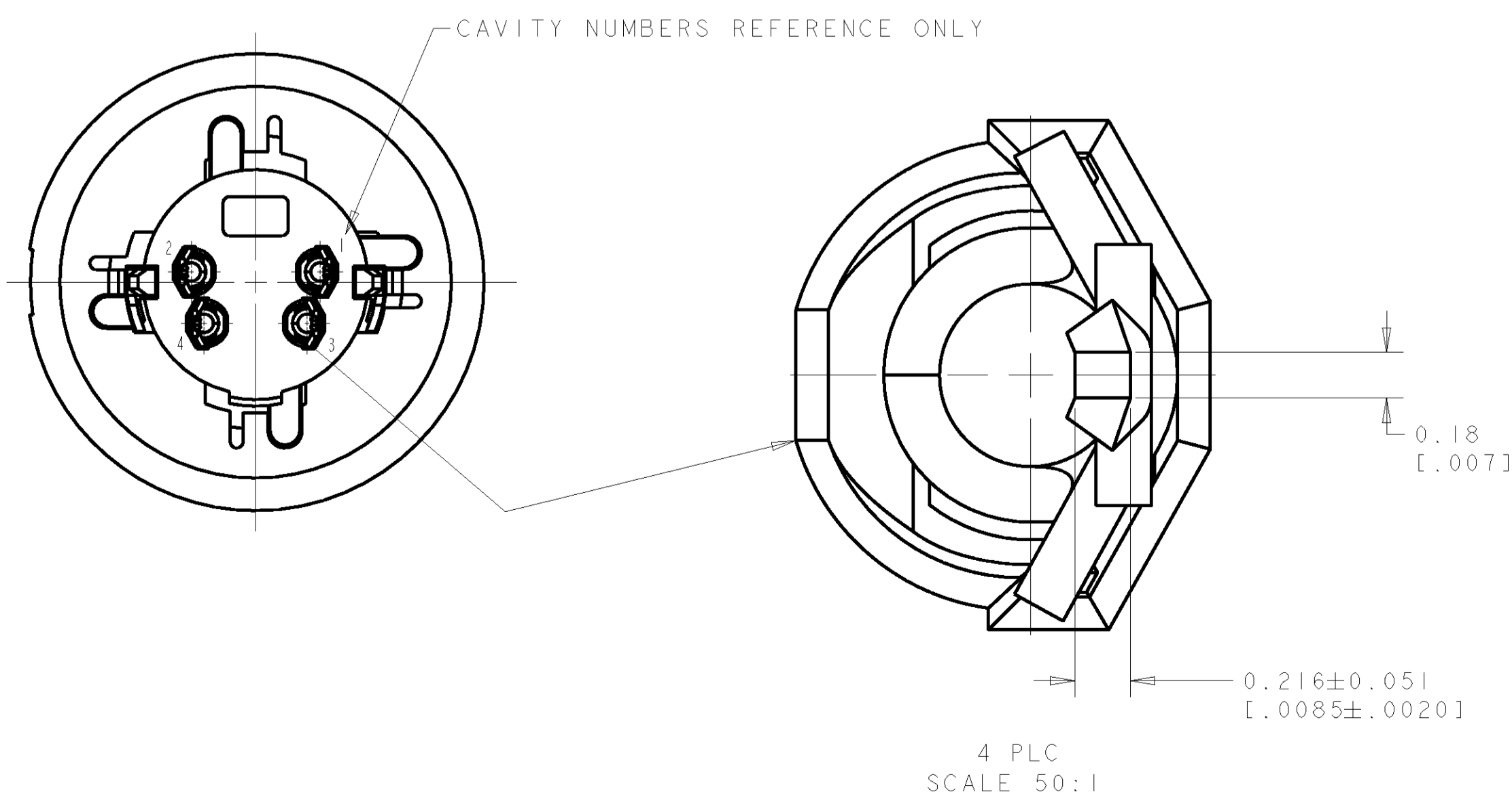
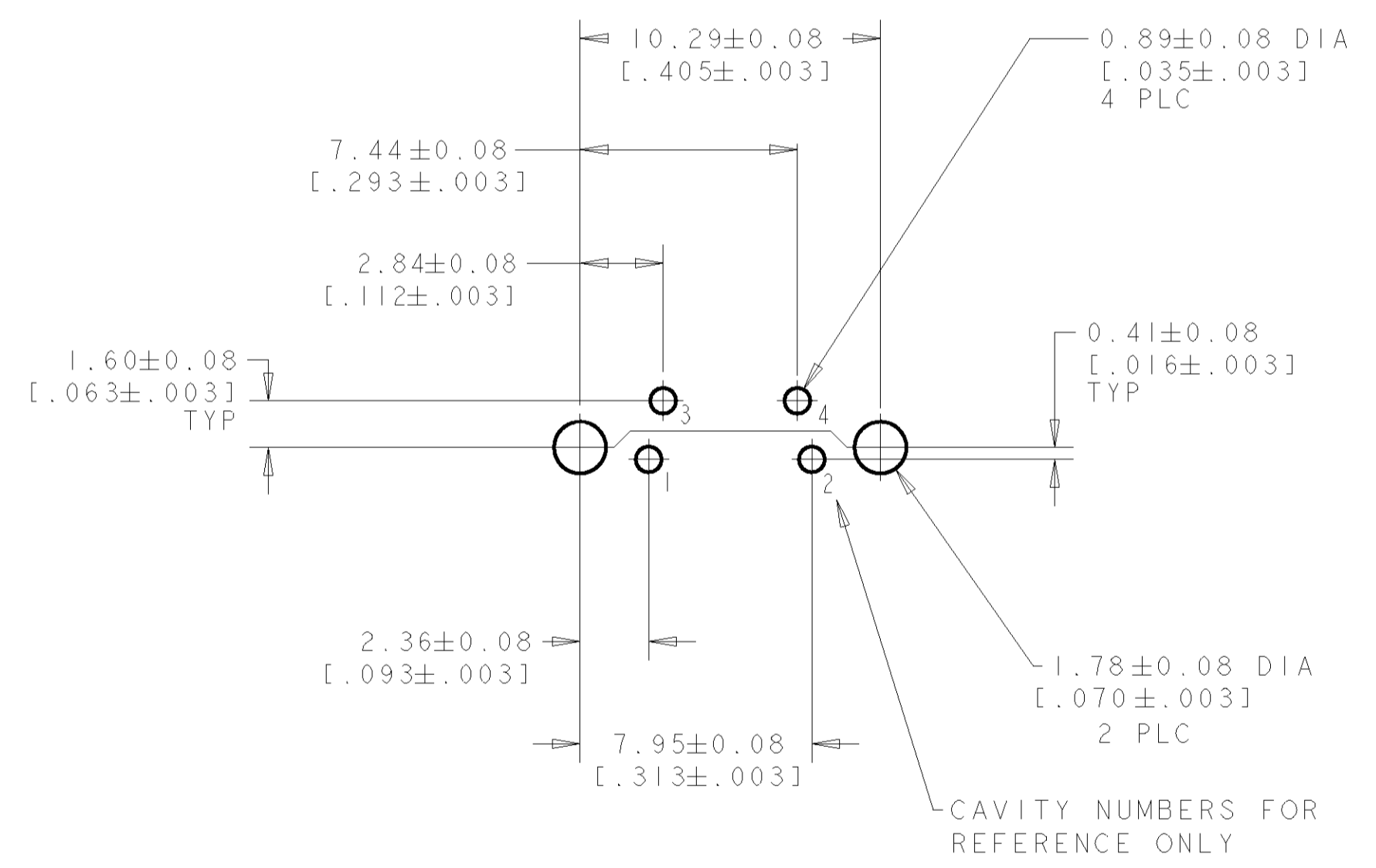
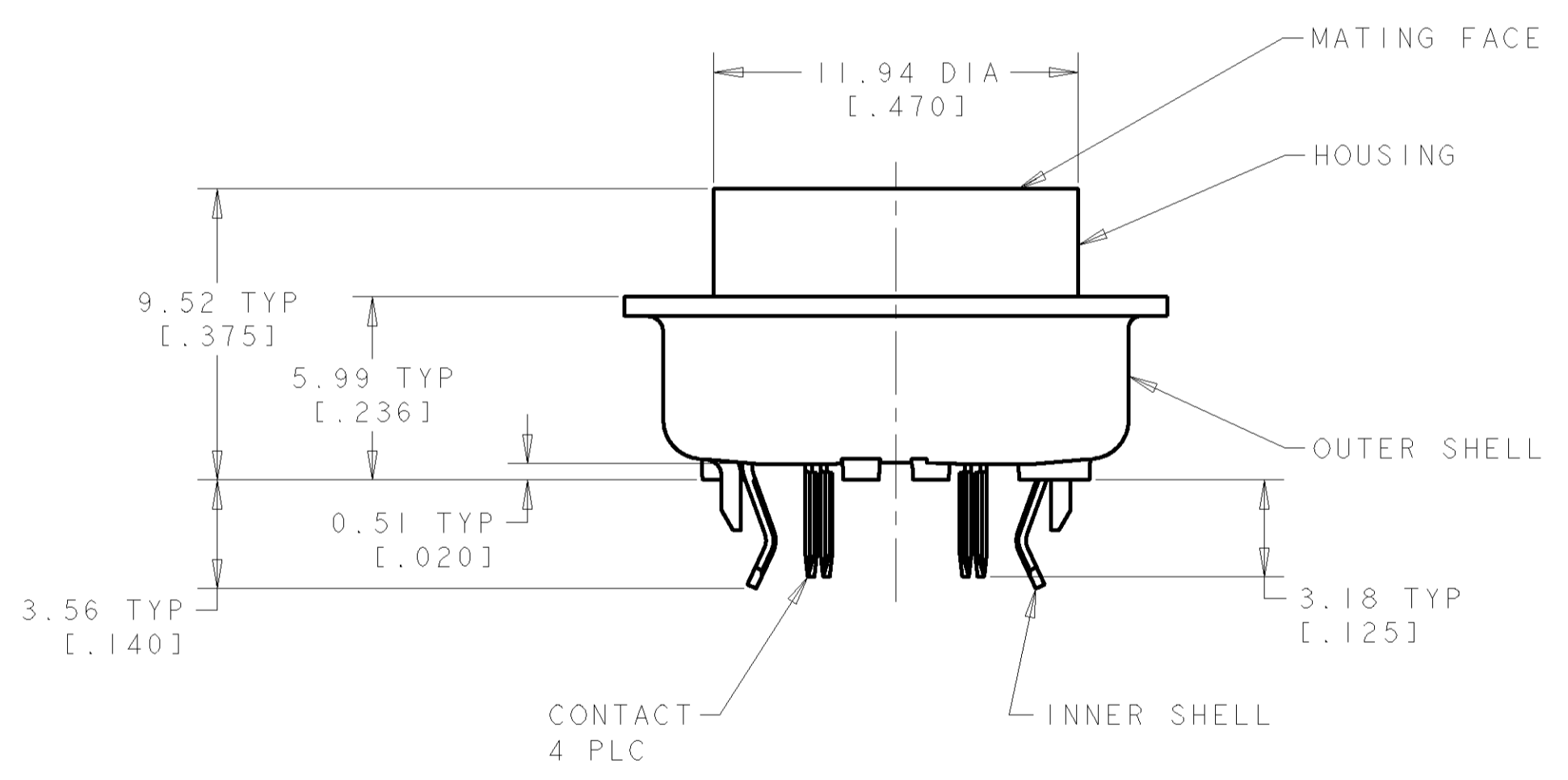


REVISONS		DATE	DNM	APRD
LOC	DIST	DESCRIPTION		
0		NPR FP00-0216-04	30AUG2004	LWY LSF



- △ SHELLS: BRASS; CONTACTS: PHOSPHOR BRONZE; HOUSING: POLYESTER, UL 94V-0 RATED, BLACK.
- △ 0.76 μm [.000030] MIN GOLD ON MATING END FOR A LENGTH OF 1.37 [.054] MIN ON INSIDE, 2.54 μm [.000100] MIN TIN FOR A LENGTH OF 3.30 [.130] MIN FROM OPPOSITE END, ALL OVER 1.27 μm [.000050] MIN NICKEL.
- △ 0.38 μm [.000015] MIN GOLD ON MATING END FOR A LENGTH OF 1.37 [.054] MIN ON INSIDE, 2.54 μm [.000100] MIN TIN FOR A LENGTH OF 3.30 [.130] MIN FROM OPPOSITE END, ALL OVER 1.27 μm [.000050] MIN NICKEL.
- 4. RECEPTACLE ASSEMBLY MATES WITH 4 PIN, 8.99±0.10 [.354±.004] DIAMETER PLUG.



DIMENSIONS: mm [INCHES]		TOLERANCES UNLESS OTHERWISE SPECIFIED:		DWN: WYLEE 30AUG2004		ENR: SF LEONG		APRD: SF LEONG		NAME: RECEPTACLE ASSEMBLY, 4 POSN, LOW FLANGE, SHIELDED, VERTICAL, MINIATURE CIRCULAR DIN	
0 PLC	±	1 PLC	±0.13 [.005]	SIZE	CAGE CODE	DRAWING NO	A1100779		SCALE 5:1		
2 PLC	±	3 PLC	±	WEIGHT	CUSTOMER DRAWING		PART NO		5750317-2		
4 PLC	±	5 PLC	±	MATERIAL		FINISH		PART NO		5750317-1	
6 PLC	±	7 PLC	±	MATERIAL		FINISH		PART NO		5750317-1	
8 PLC	±	9 PLC	±	MATERIAL		FINISH		PART NO		5750317-1	
10 PLC	±	11 PLC	±	MATERIAL		FINISH		PART NO		5750317-1	
12 PLC	±	13 PLC	±	MATERIAL		FINISH		PART NO		5750317-1	
14 PLC	±	15 PLC	±	MATERIAL		FINISH		PART NO		5750317-1	
16 PLC	±	17 PLC	±	MATERIAL		FINISH		PART NO		5750317-1	
18 PLC	±	19 PLC	±	MATERIAL		FINISH		PART NO		5750317-1	
20 PLC	±	21 PLC	±	MATERIAL		FINISH		PART NO		5750317-1	
22 PLC	±	23 PLC	±	MATERIAL		FINISH		PART NO		5750317-1	
24 PLC	±	25 PLC	±	MATERIAL		FINISH		PART NO		5750317-1	
26 PLC	±	27 PLC	±	MATERIAL		FINISH		PART NO		5750317-1	
28 PLC	±	29 PLC	±	MATERIAL		FINISH		PART NO		5750317-1	
30 PLC	±	31 PLC	±	MATERIAL		FINISH		PART NO		5750317-1	
32 PLC	±	33 PLC	±	MATERIAL		FINISH		PART NO		5750317-1	
34 PLC	±	35 PLC	±	MATERIAL		FINISH		PART NO		5750317-1	
36 PLC	±	37 PLC	±	MATERIAL		FINISH		PART NO		5750317-1	
38 PLC	±	39 PLC	±	MATERIAL		FINISH		PART NO		5750317-1	
40 PLC	±	41 PLC	±	MATERIAL		FINISH		PART NO		5750317-1	
42 PLC	±	43 PLC	±	MATERIAL		FINISH		PART NO		5750317-1	
44 PLC	±	45 PLC	±	MATERIAL		FINISH		PART NO		5750317-1	
46 PLC	±	47 PLC	±	MATERIAL		FINISH		PART NO		5750317-1	
48 PLC	±	49 PLC	±	MATERIAL		FINISH		PART NO		5750317-1	
50 PLC	±	51 PLC	±	MATERIAL		FINISH		PART NO		5750317-1	
52 PLC	±	53 PLC	±	MATERIAL		FINISH		PART NO		5750317-1	
54 PLC	±	55 PLC	±	MATERIAL		FINISH		PART NO		5750317-1	
56 PLC	±	57 PLC	±	MATERIAL		FINISH		PART NO		5750317-1	
58 PLC	±	59 PLC	±	MATERIAL		FINISH		PART NO		5750317-1	
60 PLC	±	61 PLC	±	MATERIAL		FINISH		PART NO		5750317-1	
62 PLC	±	63 PLC	±	MATERIAL		FINISH		PART NO		5750317-1	
64 PLC	±	65 PLC	±	MATERIAL		FINISH		PART NO		5750317-1	
66 PLC	±	67 PLC	±	MATERIAL		FINISH		PART NO		5750317-1	
68 PLC	±	69 PLC	±	MATERIAL		FINISH		PART NO		5750317-1	
70 PLC	±	71 PLC	±	MATERIAL		FINISH		PART NO		5750317-1	
72 PLC	±	73 PLC	±	MATERIAL		FINISH		PART NO		5750317-1	
74 PLC	±	75 PLC	±	MATERIAL		FINISH		PART NO		5750317-1	
76 PLC	±	77 PLC	±	MATERIAL		FINISH		PART NO		5750317-1	
78 PLC	±	79 PLC	±	MATERIAL		FINISH		PART NO		5750317-1	
80 PLC	±	81 PLC	±	MATERIAL		FINISH		PART NO		5750317-1	
82 PLC	±	83 PLC	±	MATERIAL		FINISH		PART NO		5750317-1	
84 PLC	±	85 PLC	±	MATERIAL		FINISH		PART NO		5750317-1	
86 PLC	±	87 PLC	±	MATERIAL		FINISH		PART NO		5750317-1	
88 PLC	±	89 PLC	±	MATERIAL		FINISH		PART NO		5750317-1	
90 PLC	±	91 PLC	±	MATERIAL		FINISH		PART NO		5750317-1	
92 PLC	±	93 PLC	±	MATERIAL		FINISH		PART NO		5750317-1	
94 PLC	±	95 PLC	±	MATERIAL		FINISH		PART NO		5750317-1	
96 PLC	±	97 PLC	±	MATERIAL		FINISH		PART NO		5750317-1	
98 PLC	±	99 PLC	±	MATERIAL		FINISH		PART NO		5750317-1	
100 PLC	±	101 PLC	±	MATERIAL		FINISH		PART NO		5750317-1	