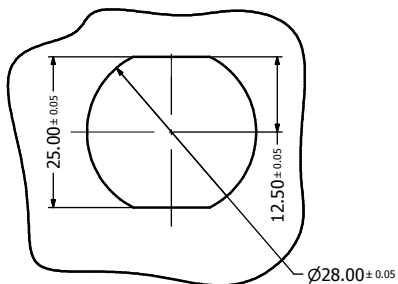
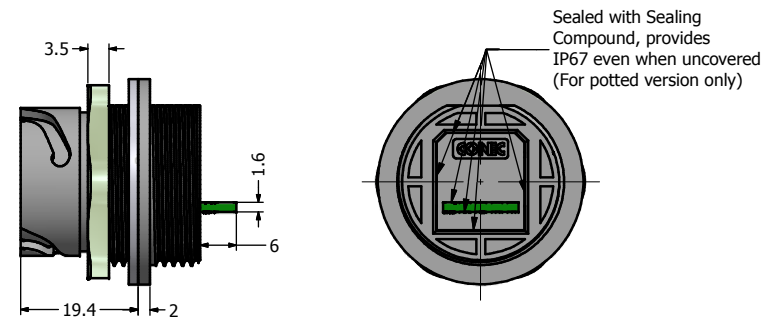
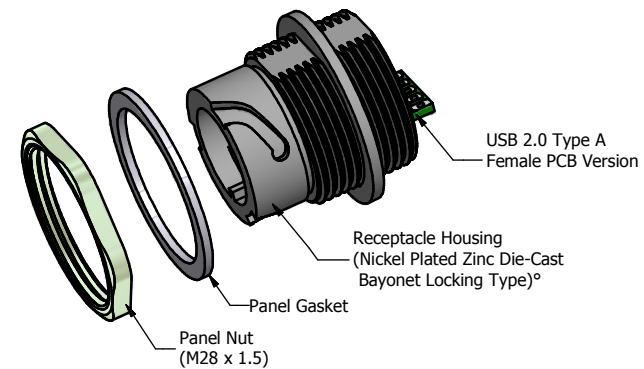
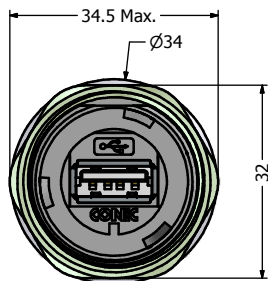
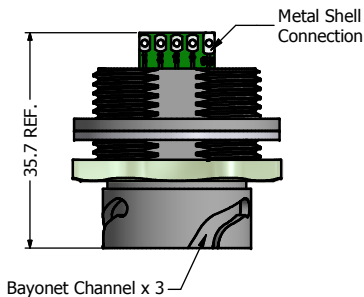


Recommended Single-D Panel Cutout



Recommended Double-D Panel Cutout



Notes:

- Electrical Specifications:
 - Meets USB 2.0 Specification
 - Contact Resistance: 30 mOhm max.
 - Insulation Resistance: 1000 MOhm min. @ 100 VDC
 - Current Rating: 1.5 A max. at 25° C
 - Working Voltage: 30 V (RMS) max.
 - DWV: 500 VAC/60s at sea level
 - Operating Temperature: -40° C to +85° C
- Material and Finish:
 - Receptacle Housing: Zinc Die-Cast, Nickel Plated
 - Panel Nut: Brass, Finish: Nickel Plated
 - Panel Gasket: Silicon, Color: White
 - USB Insulator: PBT, UL94 V-0, Black
 - USB Metal Shell: Copper Alloy, Nickel Plated
 - USB Overmold material: PBT UL94 V-0, Color: Black
 - USB Contacts: Copper Alloy, Finish: 30 u" Gold min. over Nickel
 - PCB: FR-4, UL94 V-0, Color: Green
- Connector can be front or rear mounted to a maximum panel thickness of 3.2 mm.
- IP67 rated when covered or fully mated with the appropriate mating connector
- Recommended Mounting Panel Nut torque is 20 to 25 lb-inch

Directive 2002/95/EC RoHS Compliant

Pin to typical USB Cable Wiring Assignment

Type A F	PCB	Signal Name	USB Cable
Pin1	Pin1	VBUS	Red
Pin2	Pin2	D-	White
Pin3	Pin3	D+	Green
Pin4	Pin4	GND	Black
Shell	GND	GND	Drain Wire

Description	Part Number
Nickel Plated Zinc Die-Cast with USB 2.0 Type A Female PCB	17-210151
Potted Nickel Plated Zinc Die-Cast with USB 2.0 Type A Female PCB	17-210161

THIS DRAWING MAY NOT BE COPIED OR REPRODUCED IN ANY MANNER WITHOUT WRITTEN PERMISSION. OWNERSHIP AND COPYRIGHT OF CONEC CORPORATION. DO NOT ALTER CAD DRAWING BY HAND	Customer:		Tolerance Unless otherwise specified			Scale:	Dim. in mm	
	Name	Title	Approval Date	0 PLC ±0.50 1 PLC ±0.38 2 PLC ±0.25 3 PLC ±0.10 ANGLES ±.3		Autodesk Inventor	Material: See Notes	
				2012	Date	Name	Title: Receptacle Assembly Kit with Nickel Plated Die-Cast Housing with USB 2.0 Type A Female PCB Version	
				Draw.	Oct. 09	Vincent Ke		
			Appd.	Oct. 09	J. Chaudry			
			Norm			Drawing No.: 17K1A365		
			D-old			Part No.: SEE PART NUMBER TABLE		
	a	original				DIN A3		
	Rev.	Changes	Date	Name			Sheet 1/1	