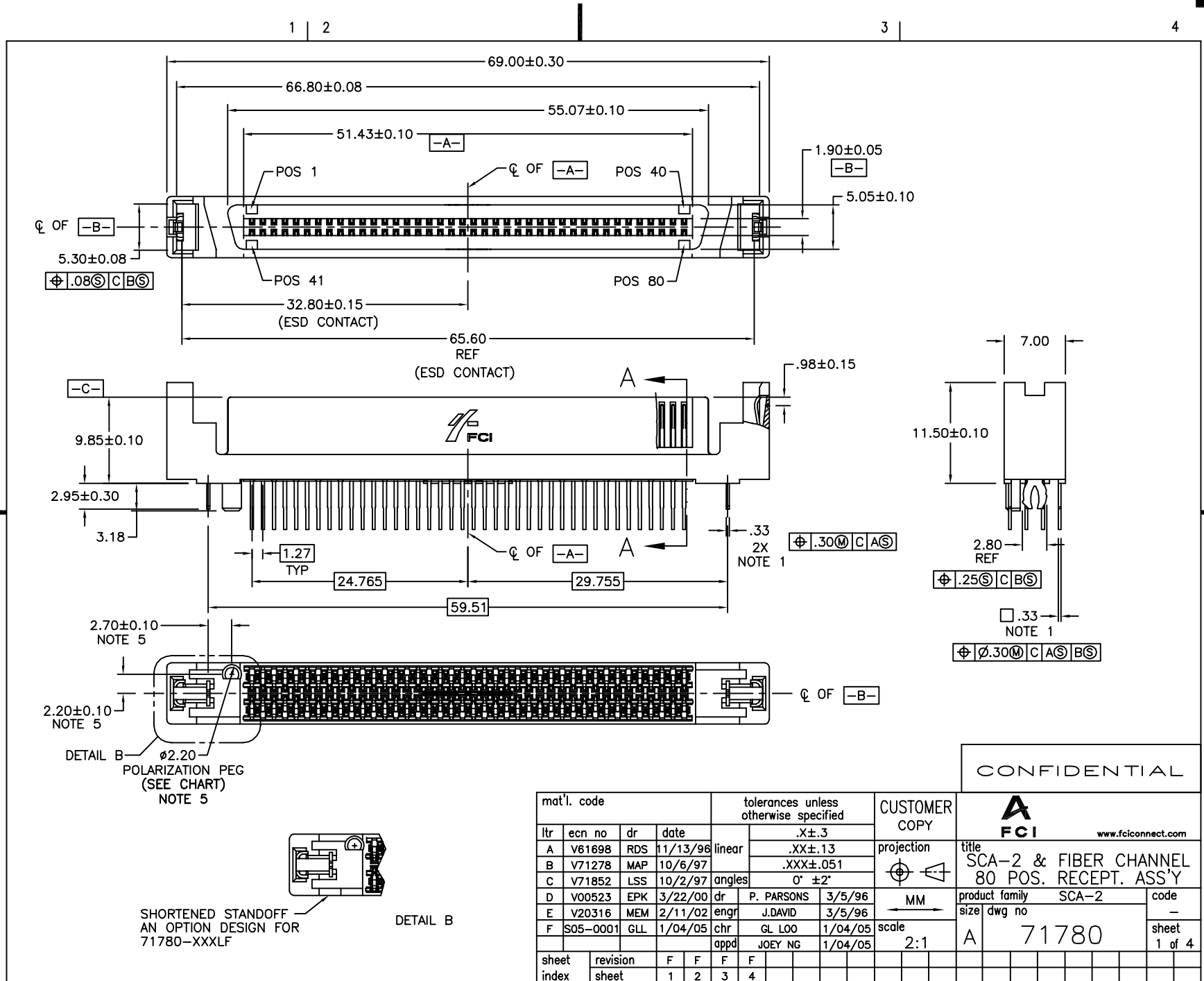


Tous droits strictement reserves. Reproduction ou communication a des tiers interdite sous quelque forme que ce soit sans autorisation ecrite du proprietaire. Propriete de c FCI. Droits de reproduction FCI.

All rights strictly reserved. Reproduction or issue to third parties in any form whatever is not permitted without written authority from the proprietor. Property of FCI. Copyright FCI.



CONFIDENTIAL

FCI www.fciconnect.com

title SCA-2 & FIBER CHANNEL 80 POS. RECEPT. ASS'Y

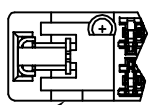
product family SCA-2 code -

size dwg no A 71780 sheet 1 of 4

scale 2:1

mat'l. code				tolerances unless otherwise specified			CUSTOMER COPY
ltr	ecn no	dr	date	linear	.XX±.3		
A	V61698	RDS	11/13/98	linear	.XX±.13		
B	V71278	MAP	10/6/97	linear	.XXX±.051		
C	V71852	LSS	10/2/97	angles	0° ±2°		
D	V00523	EPK	3/22/00	dr	P. PARSONS	3/5/96	
E	V20316	MEM	2/11/02	engr	J.DAVID	3/5/96	
F	S05-0001	GLL	1/04/05	chr	GL L00	1/04/05	
				appd	JOEY NG	1/04/05	
sheet index	revision sheet	F 1	F 2	F 3	F 4		

SHORTENED STANDOFF AN OPTION DESIGN FOR 71780-XXXLF



DETAIL B

cage code 22526

ACAD

PDM: Rev:F

STATUS: Released

Printed: Nov 24, 2005

Tous droits strictement reserves. Reproduction ou communication a des tiers interdite sous quelque forme que ce soit sans autorisation ecrite du proprietaire. Propriete de c FCI. Droits de reproduction FCI.

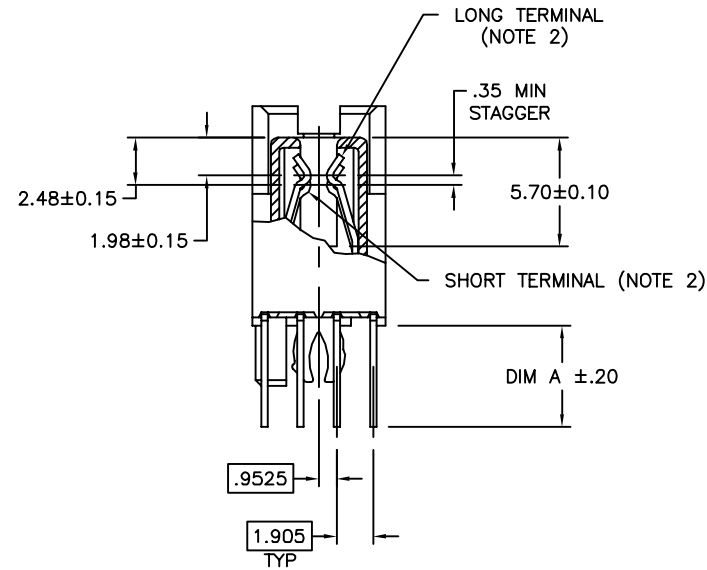


All rights strictly reserved. Reproduction or issue to third parties in any form whatever is not permitted without written authority from the proprietor. Property of FCI. Copyright FCI.

1 | 2

3 |

4



SECTION A-A

CONFIDENTIAL

mat'l. code				tolerances unless otherwise specified			CUSTOMER COPY		www.fciconnect.com		
ltr	ecn no	dr	date	linear	.X±.3		projection	title			
F					.XX±.13				SCA-2 & FIBER CHANNEL		
					.XXX±.051				80 POS. RECEPT. ASS'Y		
				angles	0° ±2°			product family		code	
				dr	P. PARSONS	3/5/96		MM	SCA-2		-
				enfr	J. DAVID	3/5/96		size		sheet	
				chr	GL L00	1/04/05		dwg no		2 of	
				appd	JOEY NG	1/04/05		A 71780			
sheet index	revision sheet						scale	A			
							3:1	A			
								cage code			
								22526			

1 | 2

3 |

4

ACAD

PDM: Rev:F

STATUS: Released

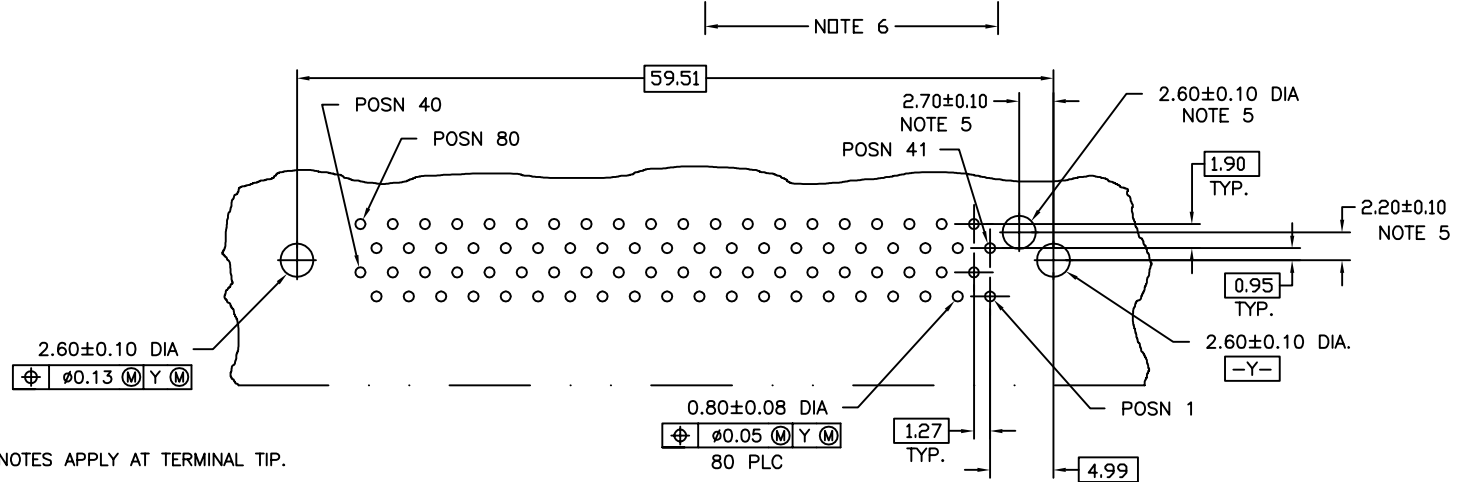
Printed: Nov 24, 2005

Tous droits strictement reserves. Reproduction ou communication a des tiers interdite sous quelque forme que ce soit sans autorisation ecrite du proprietaire. Propriete de c FCI. Droits de reproduction FCI.

FCI

All rights strictly reserved. Reproduction or issue to third parties in any form whatever is not permitted without written authority from the proprietor. Property of FCI. Copyright FCI.

PRODUCT NO.	"A" DIM	POLARIZATION PEG	PLATING	RECOMMEDED P.C. BOARD THICKNESS	PRODUCT NO.	PLATING
71780-001	2.79	YES		1.57mm (0.062")	71780-101	NOTE ⑥
-002	2.79	NO			-102	
-003	3.18	YES	NOTE ④	2.36mm (0.093")	-103	
-004	3.18	NO			-104	
-005	4.06	YES		3.18mm (0.125")	-105	
71780-006	4.06	NO			71780-106	



NOTES :

- ① TRUE POSITION NOTES APPLY AT TERMINAL TIP.
- ② CONTACTS IN POSITIONS 2 THRU 35, 44 AND 47 THRU 74 ARE SHORT TERMINALS. CONTACTS IN POSITIONS 1, 36 THRU 43, 45, 46, AND 75 THRU 80 ARE LONG TERMINALS.
- ③ RAW MATERIALS:
HOUSING: HTN, UL94V-0, COLOR: BLACK
CONTACTS: PHOSPHOR-BRONZE
- ④ CONTACT PLATING: 30u" (0.76um) MIN. GXT PLATING OVER 50u" (1.27um) NICKLE MIN. UNDERPLATE IN CONTACT AREA. 100u" (2.54um) MIN. TIN-LEAD PLATING OVER 50u" (1.27um) MIN. NICKLE UNDERPLATE IN P.C. BOARD LEG AREA. 50u" (1.27um) MIN. NICKLE UNDERPLATE OVER REMAINING AREA.
- ⑤ DIMENSIONS DO NOT APPLY TO CONNECTOR STYLES WITHOUT POLARIZATION PEG. (SEE CHART)
- ⑥ CONTACT PLATING: 30u" (0.76um) MIN. GOLD PLATING OVER 50u" (1.27um) NICKLE MIN. UNDERPLATE IN CONTACT AREA. 100u" (2.54um) MIN. TIN-LEAD PLATING OVER 50u" (1.27um) MIN. NICKLE UNDERPLATE IN P.C. BOARD LEG AREA. 50u" (1.27um) MIN. NICKLE UNDERPLATE OVER REMAINING AREA.

RECOMMENDED PC BOARD MOUNTING DIMENSIONS COMPONENT SIDE

CONFIDENTIAL

mat'l. code		tolerances unless otherwise specified		CUSTOMER COPY		 www.fciconnect.com	
ltr	ecn no	dr	date	linear	.X±.3	projection	
F				linear	.XX±.13	MM	
				angles	.XXX±.051	scale	
				dr	P. PARSONS 3/5/96	2:1	title SCA-2 & FIBER CHANNEL 80 POS. RECEPT. ASS'Y
				engr	J. DAVID 3/5/96		product family SCA-2
				chr	GL L00 1/04/05		code
				appd	JOEY NG 1/04/05		size
sheet index	revision sheet						code 71780
							sheet 3 of

cage code 22526

ACAD

PDM: Rev:F

STATUS: Released

Printed: Nov 24, 2005

Tous droits strictement reserves. Reproduction ou communication a des tiers interdite sous quelque forme que ce soit sans autorisation ecrite du proprietaire. Propriete de c FCI. Droits de reproduction FCI.



All rights strictly reserved. Reproduction or issue to third parties in any form whatever is not permitted without written authority from the proprietor. Property of FCI. Copyright FCI.

PRODUCT NO.	"A" DIM	POLARIZATION PEG	PLATING	RECOMMEDED P.C. BOARD THICKNESS	PRODUCT NO.	PLATING
71780-001LF	2.79	YES	NOTE ⑧	1.57mm (0.062")	71780-101LF	NOTE ⑦
-002LF	2.79	NO			-102LF	
-003LF	3.18	YES		2.36mm (0.093")	-103LF	
-004LF	3.18	NO			-104LF	
-005LF	4.06	YES		3.18mm (0.125")	-105LF	
71780-006LF	4.06	NO			71780-106LF	

NOTE 7

NOTES :

- ⑦ CONTACT PLATING: 30u" (0.76um) GOLD PLATING OVER 50u" (1.27um) NICKLE UNDERPLATE IN CONTACT AREA. 100u" (2.54um) - 200u"(5.08um) TIN PLATING OVER 50u" (1.27um) -100u" (2.54um) NICKEL UNDERPLATE IN P.C. BOARD LEG AREA. 50u" (1.27um) NICKEL UNDERPLATE OVER REMAINING AREA.
- ⑧ CONTACT PLATING: 30u" (0.76um) GXT PLATING OVER 50u" (1.27um) NICKLE UNDERPLATE IN CONTACT AREA. 100u" (2.54um) - 200u"(5.08um) TIN PLATING OVER 50u" (1.27um) -100u" (2.54um) NICKEL UNDERPLATE IN P.C. BOARD LEG AREA. 50u" (1.27um) NICKEL UNDERPLATE OVER REMAINING AREA.
- ⑨ THE HOUSING WILL WITHSTAND EXPOSURE TO 260° C PEAK TEMPERATURE FOR 10 SECONDS IN A WAVE SOLDER APPLICATION WITH A 1.57MM THICK CIRCUIT BOARD.
- ⑩ THIS PRODUCT MEETS EUROPEAN UNION DIRECTIVES AND OTHER COUNTRY REGULATIONS AS DESCRIBED IN GS-22-008.

CONFIDENTIAL

mat'l. code				tolerances unless otherwise specified			CUSTOMER COPY		www.fciconnect.com	
ltr	ecn no	dr	date	linear	.X±.3			projection	title	
F					.XX±.13				SCA-2 & FIBER CHANNEL	
					.XXX±.051				80 POS. RECEPT. ASS'Y	
				angles	0° ±2°				product family SCA-2	
				dr	P. PARSONS	3/5/96	MM		code	
				enfr	J. DAVID	3/5/96	scale		size	sheet
				chr	GL L00	1/04/05	2:1		dwg no	4 of 4
				appd	JOEY NG	1/04/05		A	71780	
sheet index	revision sheet									

cage code 22526

ACAD