

**DESCRIPTION: 973 SERIES D-SUB BACKSHELL**

**BACKSHELL KIT INCLUDES:**

- (2) BACKSHELL HALVES
- (2) 4-40 THUMBSCREWS
- (2) HOUSING SCREWS
- (1) METAL STRAIN RELIEF CLAMP
- (2) STRAIN RELIEF SCREWS

973-XXX-XXX-XX1

SERIES \_\_\_\_\_

POSITIONS \_\_\_\_\_

009

015

025

037

050

MATERIAL \_\_\_\_\_

010 = PLASTIC

020 = METALIZED PLASTIC

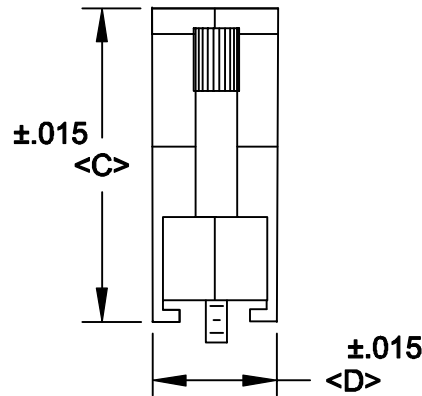
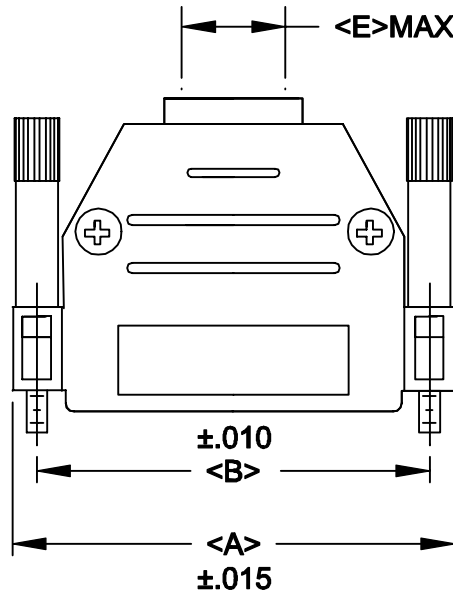
COLOR: \_\_\_\_\_

01 = BLACK

12 = NICKEL OVER COPPER

PUT-UPS \_\_\_\_\_

1 = KIT



POS.	A	B	C	D	E
9	1.240	.984	1.221	.598	.335
	31.50	24.99	31.01	15.19	8.51
15	1.575	1.312	1.378	.598	.335
	40.01	33.32	35.00	15.19	8.51
25	2.106	1.852	1.496	.598	.433
	53.49	47.04	38.00	15.19	11.00
37	2.756	2.500	1.575	.598	.433
	70.00	63.50	40.01	15.19	11.00
50	2.657	2.406	1.575	.717	.472
	67.49	61.00	40.01	18.21	11.99

**METALIZED PLASTIC:**  
**MATERIAL: HIGH TEMPERATURE ABS**  
**PLATING: NICKEL OVER COPPER**

**PLASTIC:**  
**MATERIAL: HIGH TEMPERATURE ABS**  
**COLOR: BLACK**

	THESE DRAWINGS AND SPECIFICATIONS ARE THE PROPERTY OF NorComp AND SHALL NOT BE REPRODUCED, COPIED OR USED AS THE BASIS FOR THE MANUFACTURE OR SALES OF APPARATUS WITHOUT WRITTEN PERMISSION.		DRAWN: PAM JENKINS	DATE: 7-30-98
			CHECKED:	DATE:
<h1>NorComp</h1>		SCALE	SHEET	OF
		DWG NO. 973-XXX-0X0-XX1		