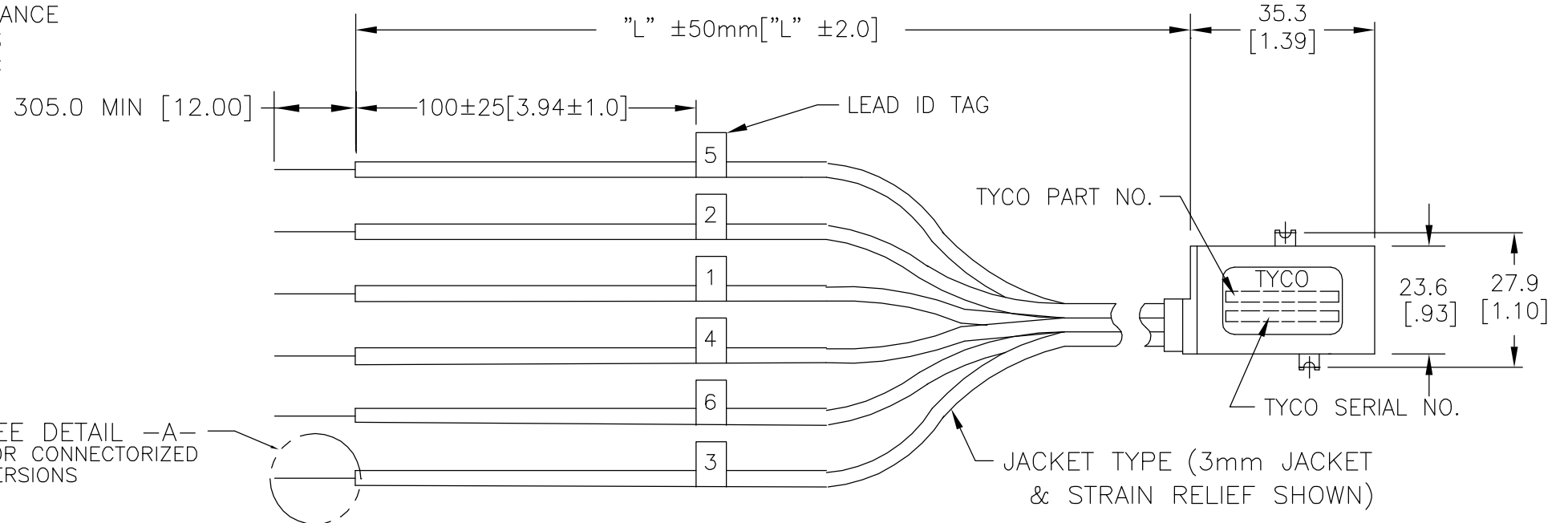
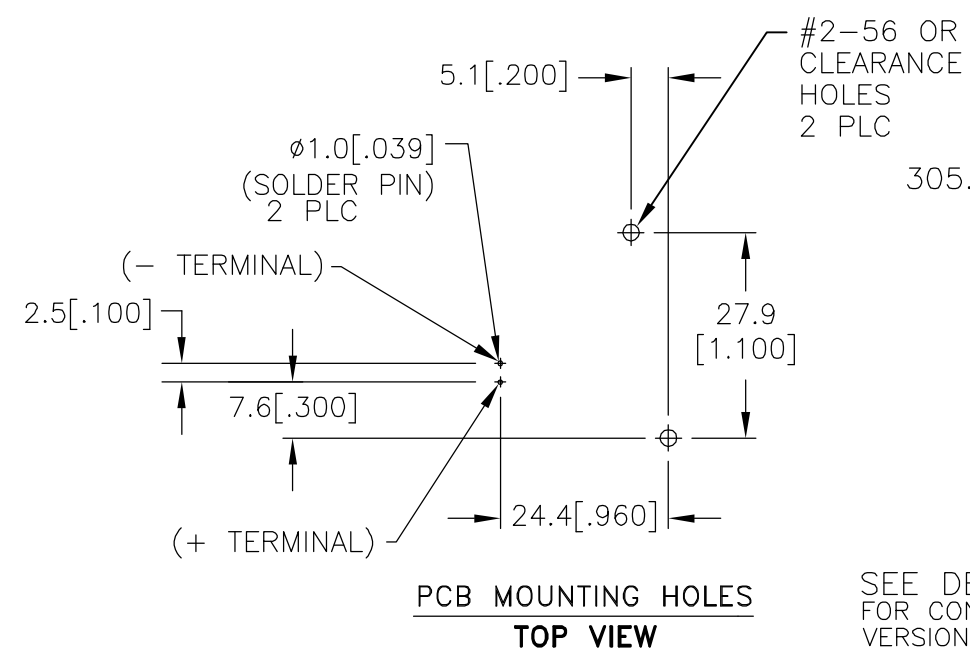
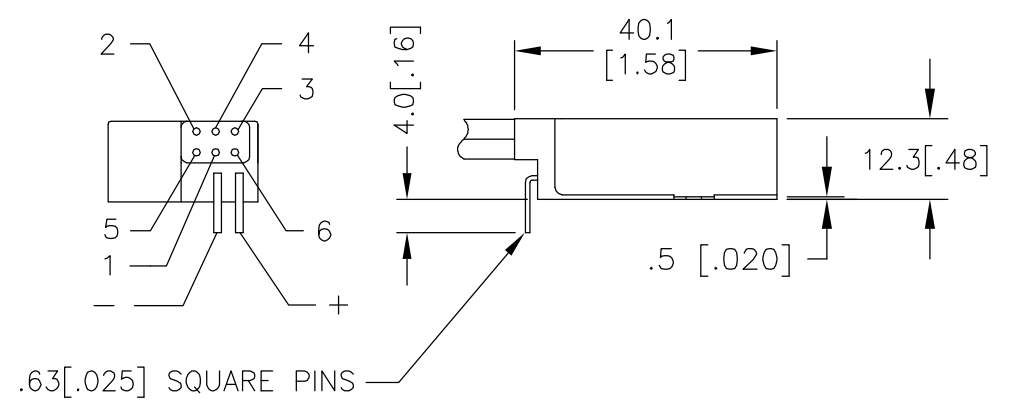
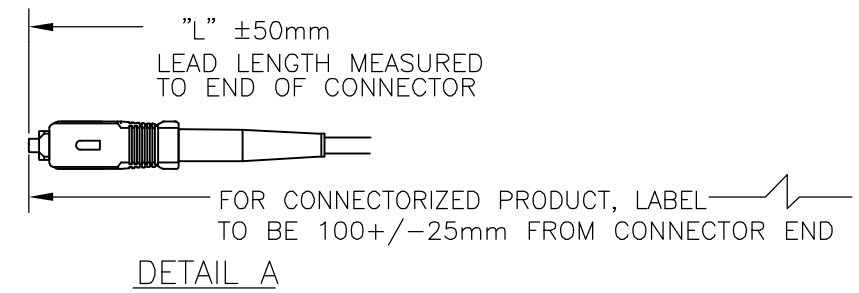


THIS DRAWING IS UNPUBLISHED. RELEASED FOR PUBLICATION
 © COPYRIGHT BY TYCO ELECTRONICS CORPORATION. ALL RIGHTS RESERVED.

LOC	DIST	REVISIONS					
EA	51	P	LTR	DESCRIPTION	DATE	DWN	APVD
		2		UPDATE	04OCT06	SM	RP



SEE DETAIL -A- FOR CONNECTORIZED VERSIONS



PART NO.	FIBER TYPE	CONNECTOR TYPE
5099974-1	50/125/250	NONE
5099974-2	62.5/125/250	NONE
1-5099974-2	62.5/125/250	SC STYLE
8-5099974-1	50/125/250	SC STYLE
8-5099974-2	62.5/125/250	SC STYLE

NOTES:

1. DIMENSIONS IN [] ARE IN INCHES.
2. PERFORMANCE SPECIFICATIONS

TESTED PER FOTP-34 METHOD A2
 INSERTION LOSS DATA INCLUDES TWO CONNECTED PAIRS

	UNCONNECTORIZED	CONNECTORIZED
INSERTION LOSS POWER OFF, 1 TO 2 & 4 TO 5	0.8dB MAX	1.8dB MAX
INSERTION LOSS POWER ON, 1 TO 3 & 4 TO 6	0.8dB MAX	1.8dB MAX
OPTICAL CROSSTALK	</=-45dB MAX	
SWITCHING SPEED	10 MILLISECONDS MAX	
POWER REQUIREMENTS	4.0 TO 5.5 VOLTS, 80 ma MAX AT 5.0 VOLTS	
OPERATING WAVELENGTH	750nm TO 1450nm	
TESTED WAVELENGTH	1300nm	

3. THIS PRODUCT HAS NOT COMPLETED VALIDATION TESTING.

1000 mm (39.5)	8-5099974-2
1000 mm (39.5)	8-5099974-1
400 mm (15.7)	1-5099974-2
1000 mm (39.5)	5099974-2
1000 mm (39.5)	5099974-1
"L" LENGTH	PART NUMBER

PRELIMINARY

THIS DRAWING IS A CONTROLLED DOCUMENT.		DWN S. MONGOLD 17JAN06	 Tyco Electronics Corporation Harrisburg, PA 17105-3608
DIMENSIONS: mm [INCHES]		CHK R. PAUL 17JAN06	
TOLERANCES UNLESS OTHERWISE SPECIFIED:		APVD F. ABENDSCHEIN 17JAN06	
0 PLC ± - 1 PLC ± 0.5 2 PLC ± - 3 PLC ± - 4 PLC ± - ANGLES ± 2'		PRODUCT SPEC -	NAME SWII D1X2 TIN (BENT PIN)
MATERIAL -		FINISH -	RESTRICTED TO -
-		WEIGHT -	SIZE A3 CAGE CODE 00779 DRAWING NO C-5099974
CUSTOMER DRAWING			SCALE 1:1 SHEET 1 OF 1 REV 2