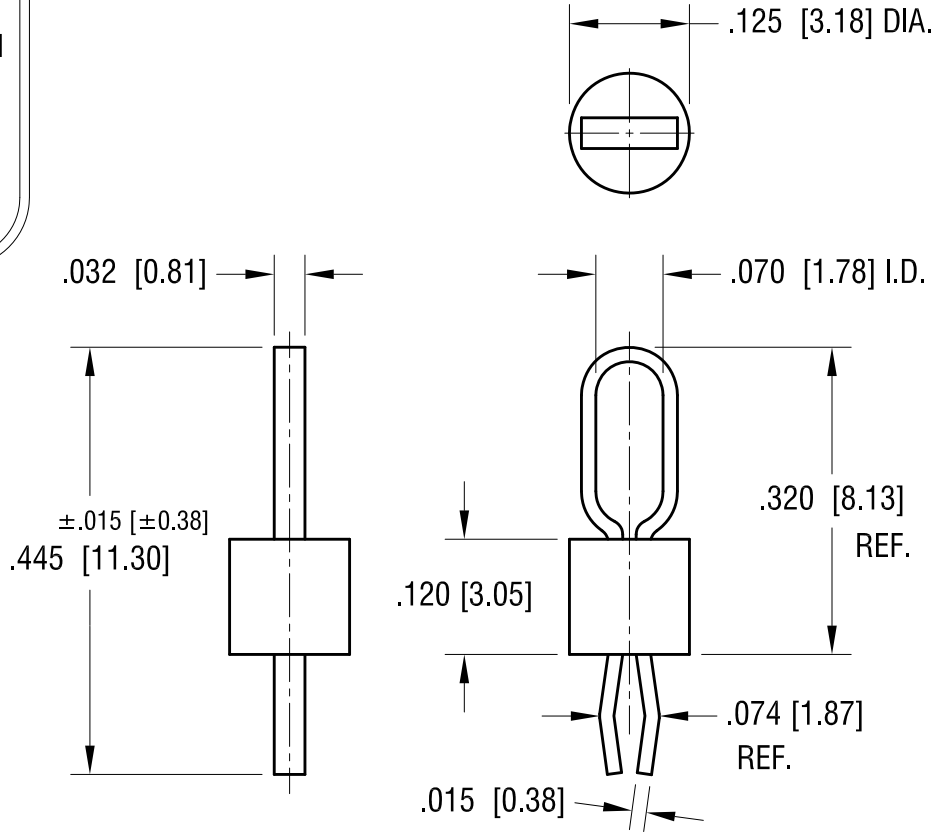
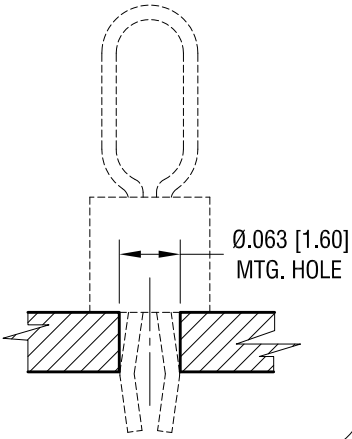


THIS DOCUMENT IS THE PROPERTY OF KEYSTONE ELECTRONICS CORP. AND SHALL NOT BE REPRODUCED, DISTRIBUTED OR USED AS A BASIS FOR MANUFACTURE WITHOUT PRIOR WRITTEN PERMISSION FROM KEYSTONE ELECTRONICS CORP.

ACTUAL SIZE



MTG. DETAIL



NOTES:

1. TERMINAL:  
MAT'L - PHOSPHOR BRONZE WIRE
2. BASE:  
MAT'L - HEAT RESISTANT NYLON 46

PART NO.	BASE COLOR
5125	BROWN
5126	GREEN
5127	BLUE
5128	GREY
5129	PURPLE

DATE	DESCRIPTION	REV.
12.30.13	CHANGE AS PER ECN 13-123	D
1.31.13	CHANGE AS PER ECN 13-014	C
1.29.13	CHANGE AS PER ECN 13-009	B
12.14.10	CHANGE AS PER ECN 10-086	A

<b>KEYSTONE ELECTRONICS CORP.</b>			
www.keyelco.com • ASTORIA, N.Y. 11105-2017 • Tel (718) 956-8900			
PART NAME PC TEST POINT - MULTIPURPOSE			
MATERIAL AS NOTED			
FINISH SILVER PLATE		DRN BY NT	DATE 4.22.08
		APP'D LN	SCALE 5X
TOLERANCES DECIMAL ANGULAR	INCH [MM] ± .005 [± 0.13] ± 1°	CODE C	DWG NO. 5125-5129
UNLESS OTHERWISE SPECIFIED			