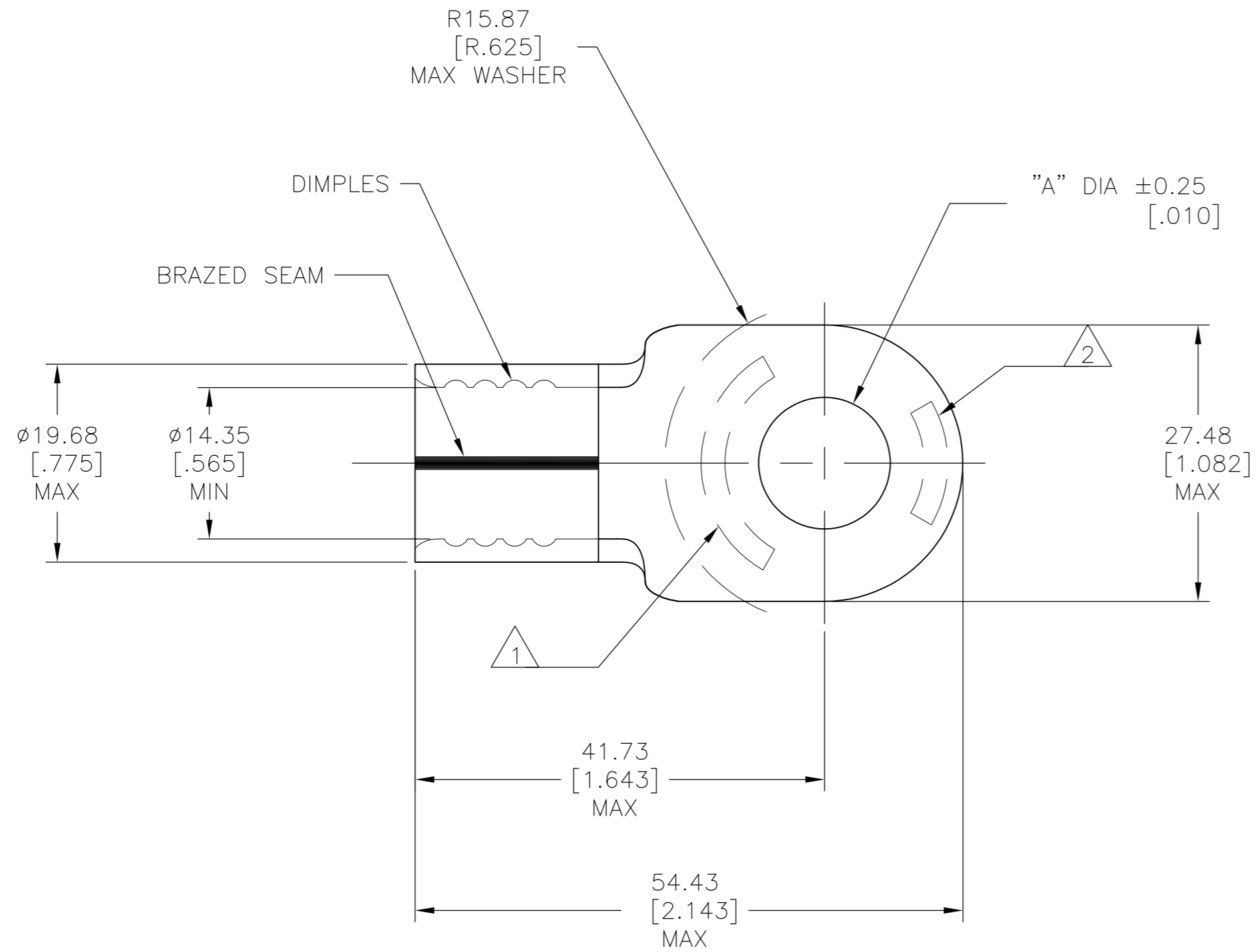


THIS DRAWING IS UNPUBLISHED. RELEASED FOR PUBLICATION  
 © COPYRIGHT BY TYCO ELECTRONICS CORPORATION. ALL INTERNATIONAL RIGHTS RESERVED.

LOC	DIST	REVISIONS			
P	LTR	DESCRIPTION	DATE	DWN	APVD
G	14	A	RELEASED PER ECR 09-017675	11AUG09	JR RL

<b>AMP</b> WIRE RANGE	E13288 Listed
3/0 AWG SOLID OR STRANDED	NOT APPLICABLE
LR7189 Certified	MILITARY P/N AND CLASS
NOT APPLICABLE	NOT APPLICABLE



- △1 STAMP AMP 3/0W\* APPROX AS SHOWN
- △2 STAMP 150 APPROX AS SHOWN
- 3 TONGUE MATERIAL THK: 2.31±0.08[.091±.003]
- △4 PREPRODUCTION - FASR REQUIRED

<b>CUSTOMER SERVICE SYSTEMS</b>		MAX RECOMMENDED OPERATING TEMPERATURE: 170° C MAX
FOR ADDITIONAL PRODUCT INFORMATION OR COPIES OF DRAWINGS AND TECHNICAL DOCUMENTS	PRODUCT INFORMATION CENTER 1-800-522-6752	VOLTAGE RATING: NOT APPLICABLE
FOR APPLICATION TOOLING INFORMATION	TOOLING ASSISTANCE CENTER 1-800-722-1111	CIRCULAR MIL AREA: 76.3-96.3mm <sup>2</sup> [150,000-190,000] CIR MILS SOLID OR STRANDED
FOR ORDER ENTRY	1-800-526-5142	

7.75 [.305]	△4	1958311-3
12.75 [.502]	△4	1958311-2
10.75 [.423]	△4	1958311-1
"A"		Part Number

THIS DRAWING IS A CONTROLLED DOCUMENT.		DWN RAGHAVENDRA 02JUL09	Tyco Electronics Corporation Harrisburg, PA 17105-3608	
DIMENSIONS: mm [INCHES]		CHK R LONDON 02JUL09	NAME	
TOLERANCES UNLESS OTHERWISE SPECIFIED:		APVD R LONDON 02JUL09	TERMINAL, RING TONGUE, SOLISTRAND™	
0 PLC ± -		PRODUCT SPEC	SIZE A2	CAGE CODE 00779
1 PLC ± -		APPLICATION SPEC	DRAWING NO C=1958311	RESTRICTED TO
2 PLC ± 0.20[.008]			SCALE 2:1	SHEET 1 OF 1
3 PLC ± -		WEIGHT -	REV A	
4 PLC ± -				
ANGLES ± -				
MATERIAL COPPER ASTM B-152 ANNEALED	FINISH TIN PLATE 0.00254[.000100] MIN THK PER ASTM-545	CUSTOMER DRAWING		