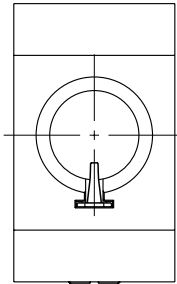
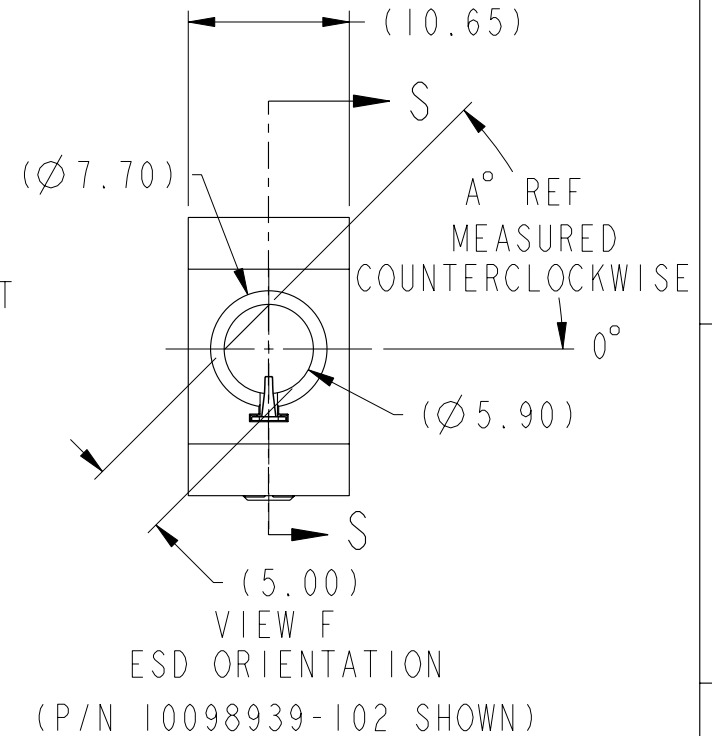
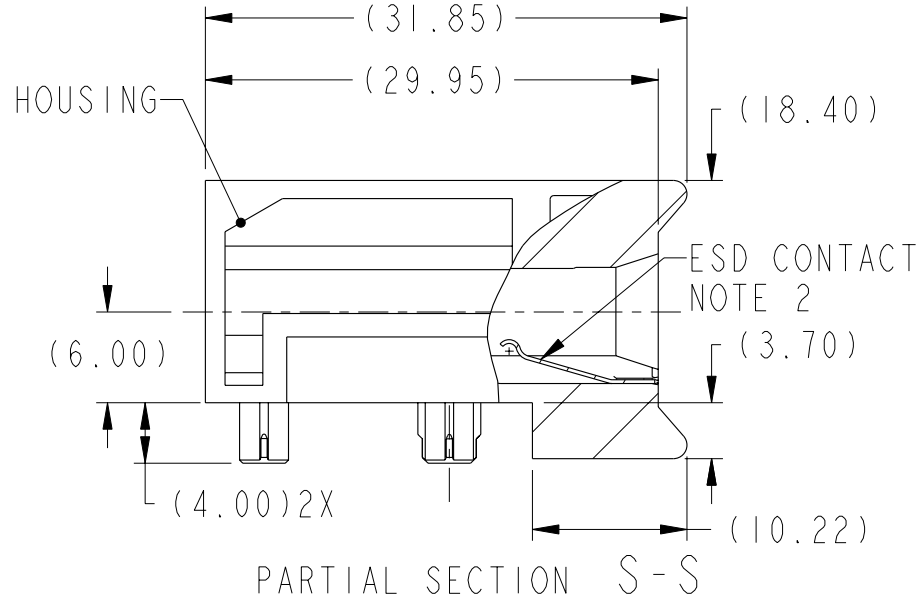


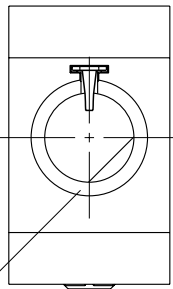
PRODUCT NUMBER
SEE TABLE, SHT 3



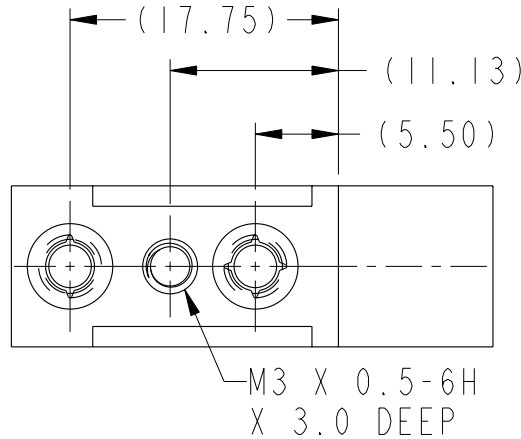
VIEW H
ESD ORIENTAION



A° REF
MEASURED
COUNTERCLOCKWISE



VIEW G
ESD ORIENTATION



Copyright FCI.

rev	ecn no	dr	date
A	S09-0296	CH	2009-09-17
-	-	-	-
-	-	-	-
-	-	-	-
-	-	-	-
-	-	-	-

www.fciconnect.com		surface -	tolerance std	projection	MM
		ASME Y14.5	ASME Y14.5		
		TOLERANCES UNLESS OTHERWISE SPECIFIED			Scale 1:1
Dr	C. H. TAN	2009-04-03	ANGULAR	0.X	±0.3
Eng	C. H. TAN	2009-04-03	LINEAR	0.XX	±0.10
Chr	C. H. TAN	2009-09-17	0°	0.XXX	±0.050
Appr	JOEY NG	2009-09-17	Product family		Spec ref
		10.8mm GUIDE MODULE ASSY WITH ESD & KEYING OPTIONS		dwg no	10098939
catalog no		CUSTOMER		Rev.	A
				sheet 1 of 4	

1

2

3

4

A

B

C

D

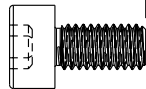
A

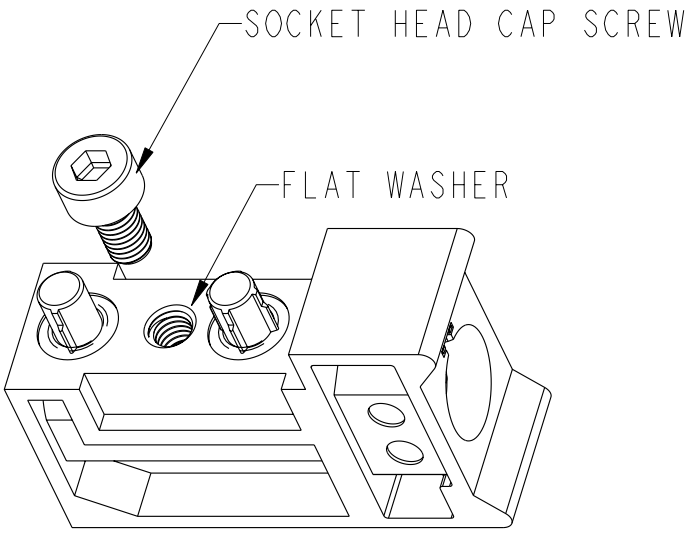
B

C

D

TABLE 1 (SEE NOTE 10)

CUSTOMER BOARD THICKNESS	DIM "L" 	P/N "Z" DESIGNATION
1.60 MAX	4.00	10098939-1XYZ00LF



P/N DESIGNATION: 10098939-1XYZ00LF

- ↑ LEAD-FREE DESIGNATION: NOTE 8
- ↑ BOARD THICKNESS/SCREW LENGTH: SEE TABLE 1
- ↑ KEYING ORIENTATION: SEE TABLE 2 (SHEET 3)
- ↑ ESD PIN: SEE NOTE 4



Copyright FCI.



title	10.8mm GUIDE MODULE ASSY WITH ESD & KEYING OPTIONS	dwg no	10098939	Rev.	A
catalog no	-	CUSTOMER	sheet 2 of 4		

1

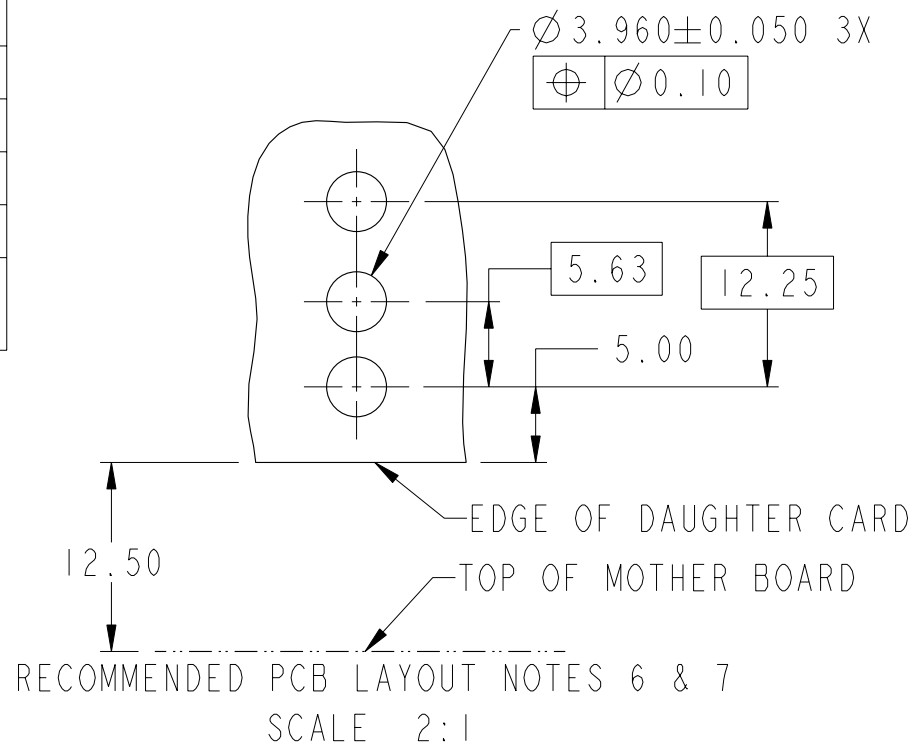
2

3

4

TABLE 2

PRODUCT NUMBER NOTES 4	DIM A	ESD PIN LOCATION
10098939-1X1Z00LF	0°	PER VIEW F
10098939-1X2Z00LF	45°	PER VIEW F
10098939-1X3Z00LF	90°	PER VIEW F
10098939-1X4Z00LF	135°	PER VIEW G
10098939-1X5Z00LF	180°	PER VIEW G
10098939-1X6Z00LF	225°	PER VIEW G
10098939-1X7Z00LF	270°	PER VIEW G
10098939-1X8Z00LF	315°	PER VIEW F
10098939-1X9Z00LF	N/A NOTE 5	PER VIEW H



Copyright FCI.



10.8mm GUIDE MODULE ASSY
WITH ESD & KEYING OPTIONS

dwg no 10098939

Rev. A

catalog no - CUSTOMER sheet 3 of 4

2

A

B

C

D

A

B

C

D

- ①. MATERIAL: ZINC ALLOY
- ②. FINISH: HOUSING; ZINC YELLOW CHROMATE
ESD CONTACT; 1.27um MINIMUM NICKEL ALL OVER
3. APPLICATION SPEC: GS-20-045
- ④. X = 0 FOR MODULES WITH ESD GROUNDING OPTION
X = 1 FOR MODULES W/O ESD GROUNDING OPTION
- ⑤. FOR THE -109xxxLF VERSION (NO KEY) THE MATING GUIDE PIN MUST BE ORIENTATED SO IT MAKES CONTACT WITH THE ESD PIN
- ⑥. THRU HOLE PLATING AND ANNULAR RINGS MUST BE ADDED AS APPROPRIATE FOR APPLICATIONS WITH THE ESD GROUNDING OPTION.
FINISHED HOLE SIZE IS THE SAME REGARDLESS OF PLATED BARREL OR NOT
- ⑦. REFER TO CUSTOMER DRAWING 10035911 FOR INFORMATION REGARDING PCB LAYOUT OF POWER AND GUIDE MODULES RELATIVE TO SIGNAL MODULES
- ⑧. THIS PRODUCT MEETS EUROPEAN UNION DIRECTIVES AND OTHER COUNTRY REGULATIONS AS DESCRIBED IN GS-22-008.
9. PACKAGING MEETS GS-14-920 LEAD FREE LABELING SPECIFICATION.
10. SOCKET SCREW LENGTH IS DETERMINED BY CARD THICKNESS & WASHERS THICKNESS. REFER TO SECTION 7.2 OF GS-20-045 FOR SCREW LENGTH SIZING



Copyright FCI.

	title 10.8mm GUIDE MODULE ASSY WITH ESD & KEYING OPTIONS	dwg no 10098939	Rev. A
	catalog no -	CUSTOMER	sheet 4 of 4