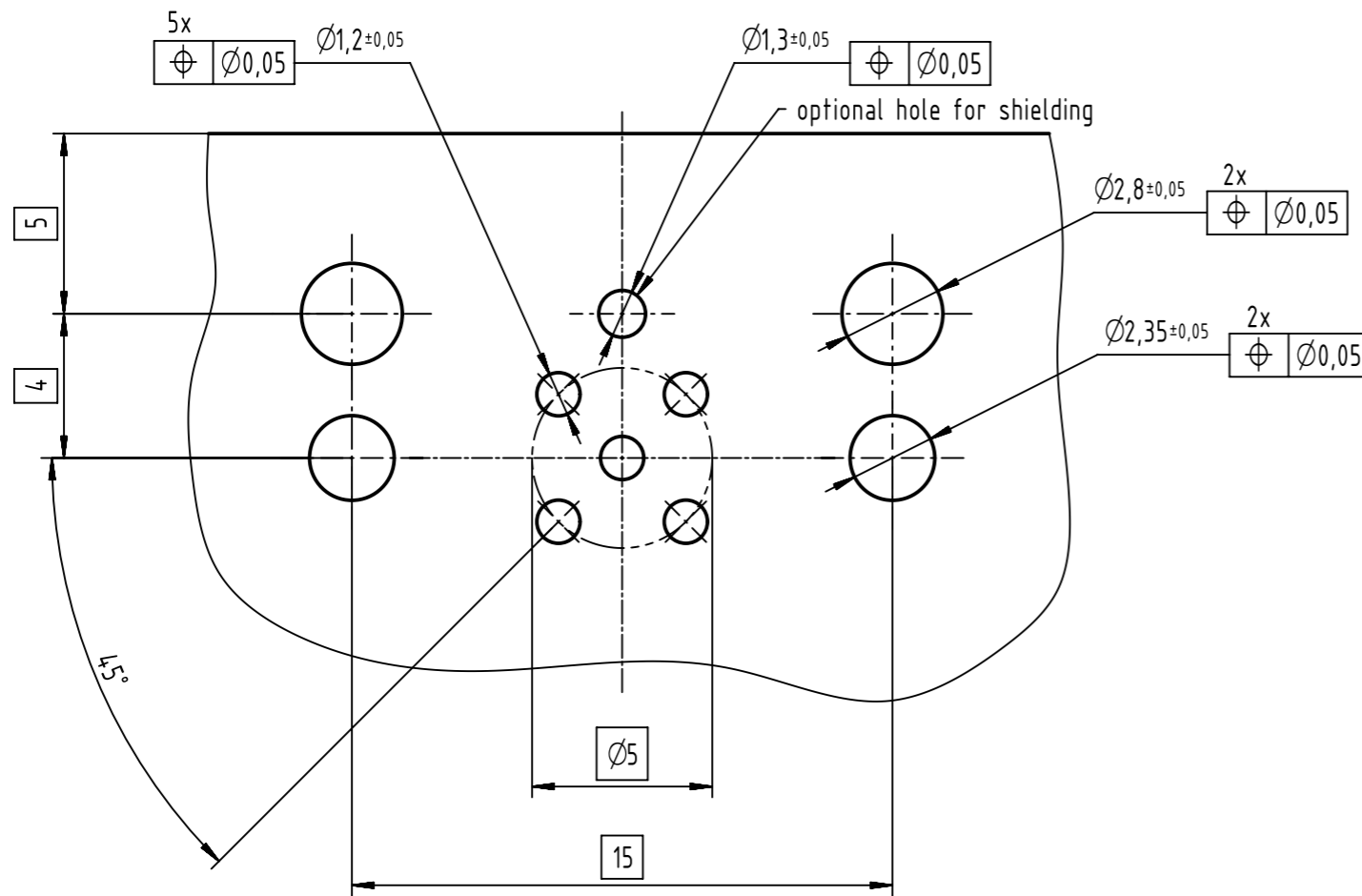


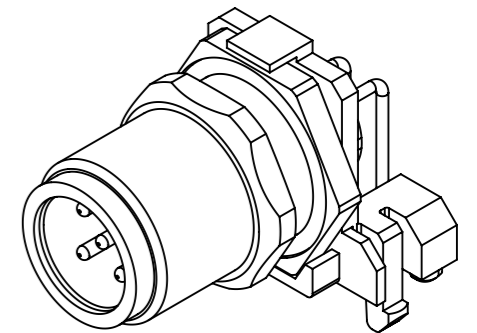
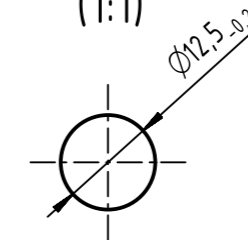
A (5:1)

recommended PCB layout



panel cut out

(1:1)



recommended PCB thickness: 1.6mm

	All rights reserved Department EC PD - DE	All Dimensions in mm Original Size DIN A3		Scale 2:1	Free size tol.	Ref. Sub.
		HARTING Electronics GmbH D-32339 Espelkamp	Created by HELLMANN	Inspected by EISFELD	Standardisation KOHLER	Date 2016-05-17
		Title HARTING M12 PCB recept angl 5-pole A-coded male shielded				Doc-Key / ECM-Nr. 100671220/UGD/000/A 500000104428
		Type TB	Number 21033213501		Rev. A	Page 1/1