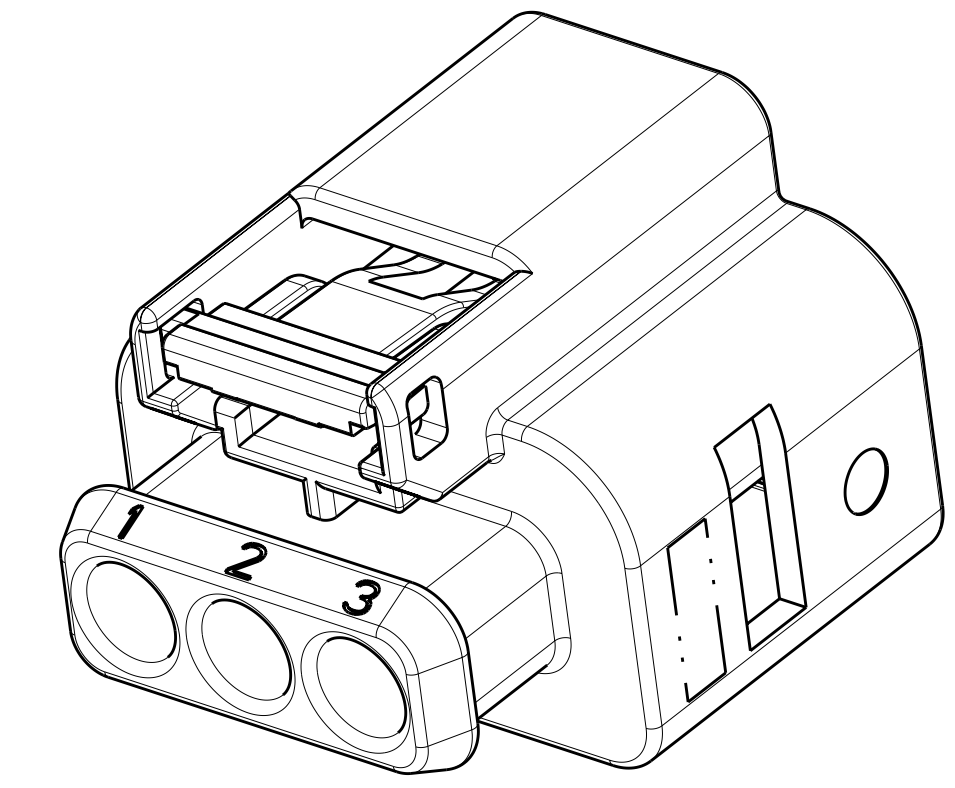
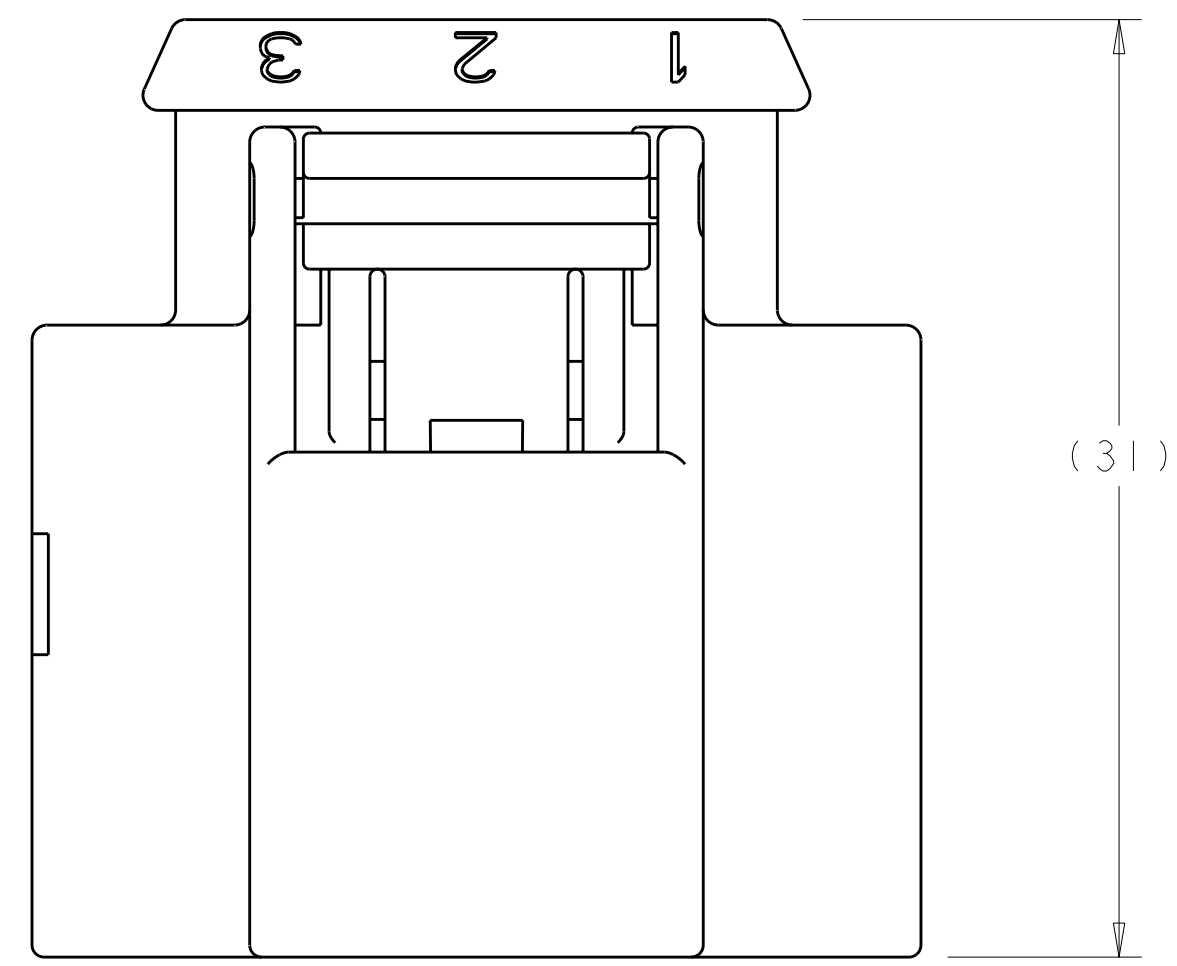


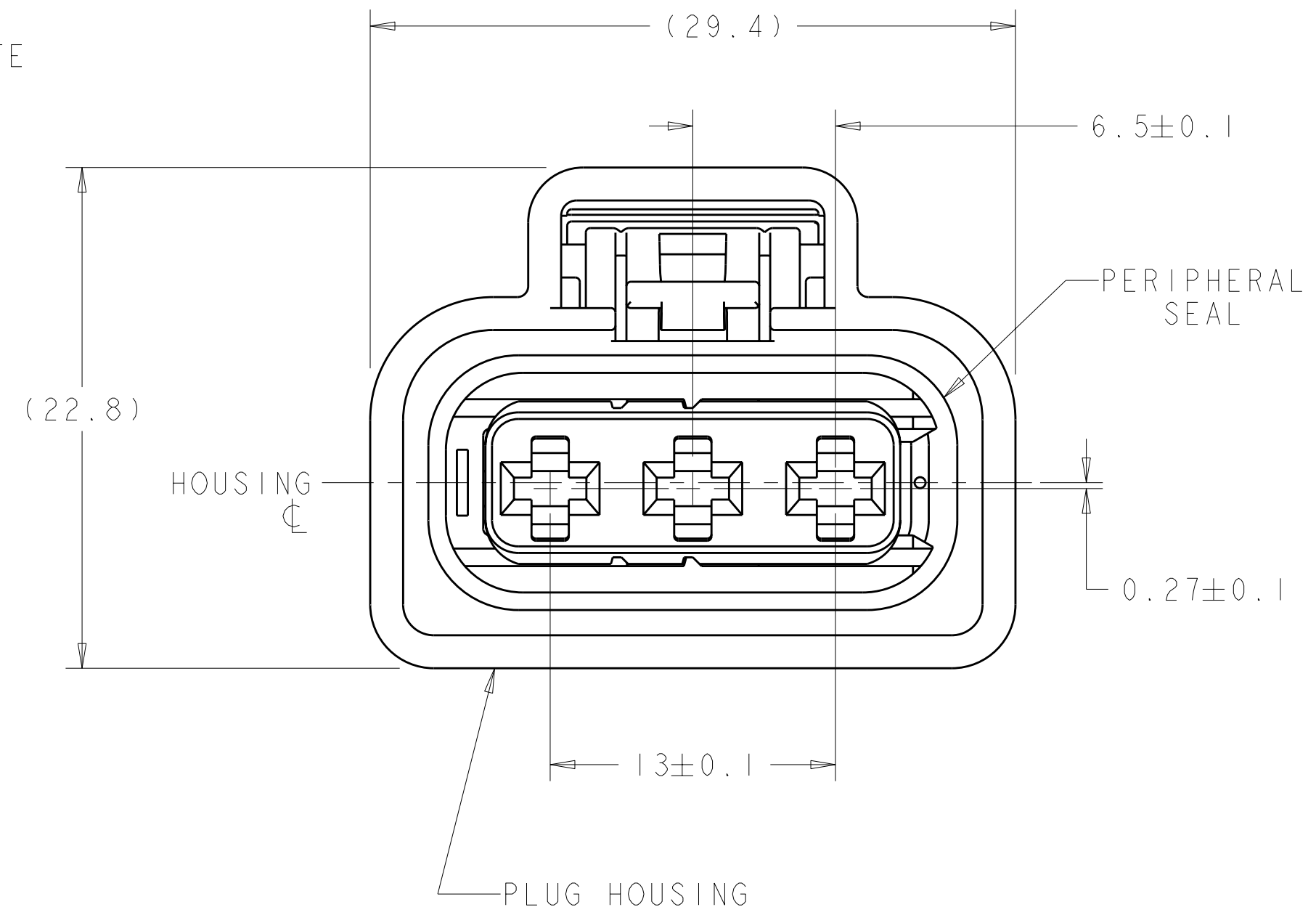
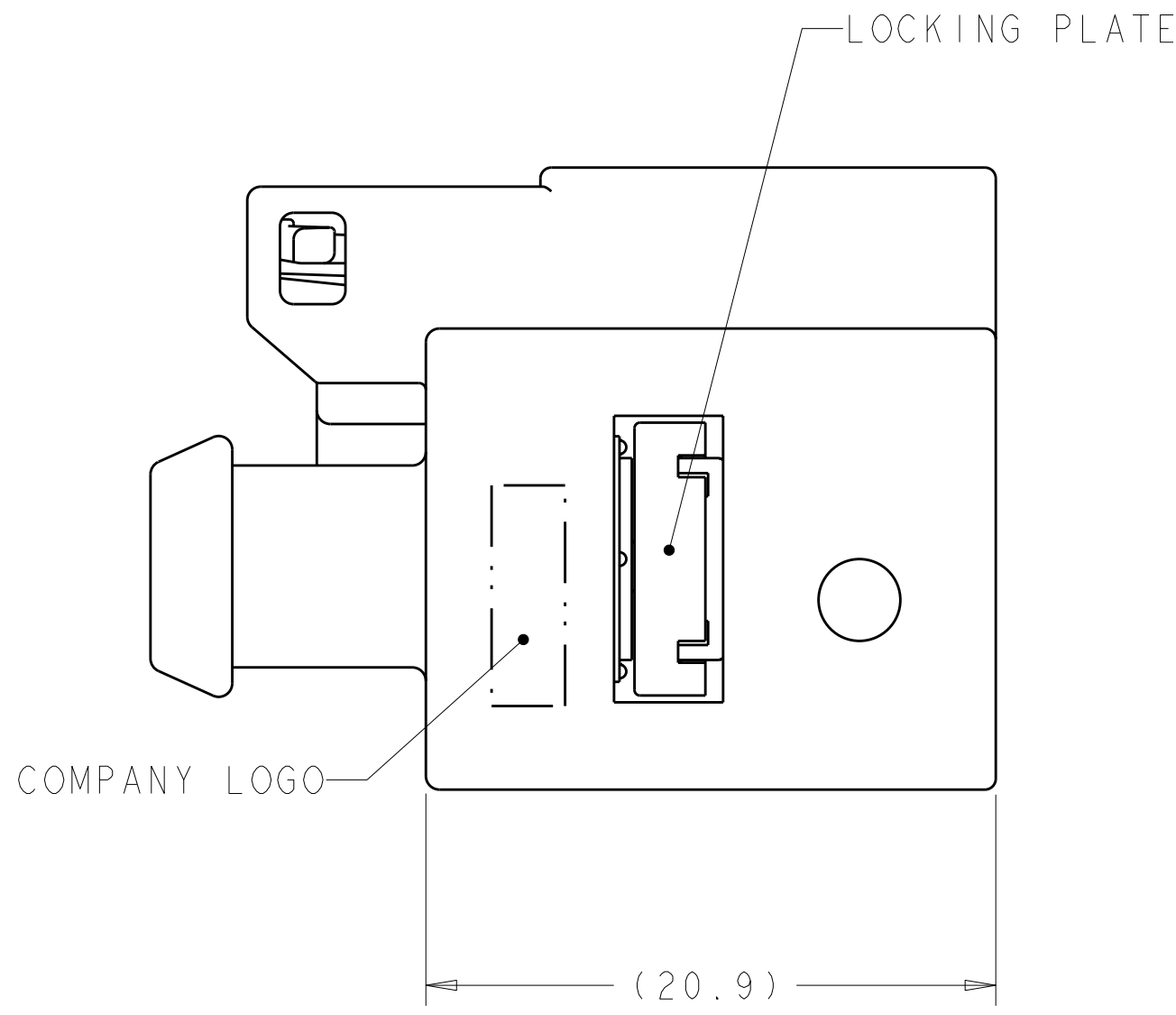
LOC	DIST	REVISIONS					
AA	00	P	LTW	DESCRIPTION	DATE	DWN	APVD
		6		REVISED PER ECO-10-003029	10FEB2010	DD	TW
		A		RELEASED PER ECO-10-006107	24MAR2010	DD	TW

△ MATERIAL: HOUSING - POLYAMIDE MOLDING COMPOUND, 35% GLASS FILLED
 COLOR: BLACK.
 LOCKING PLATE - POLYESTER MOLDING COMPOUND, 15% GLASS
 FILLED, COLOR: YELLOW.
 PERIPHERAL SEAL - VMO SILICONE RUBBER, 40 SHORE,
 COLOR: BURNT ORANGE.

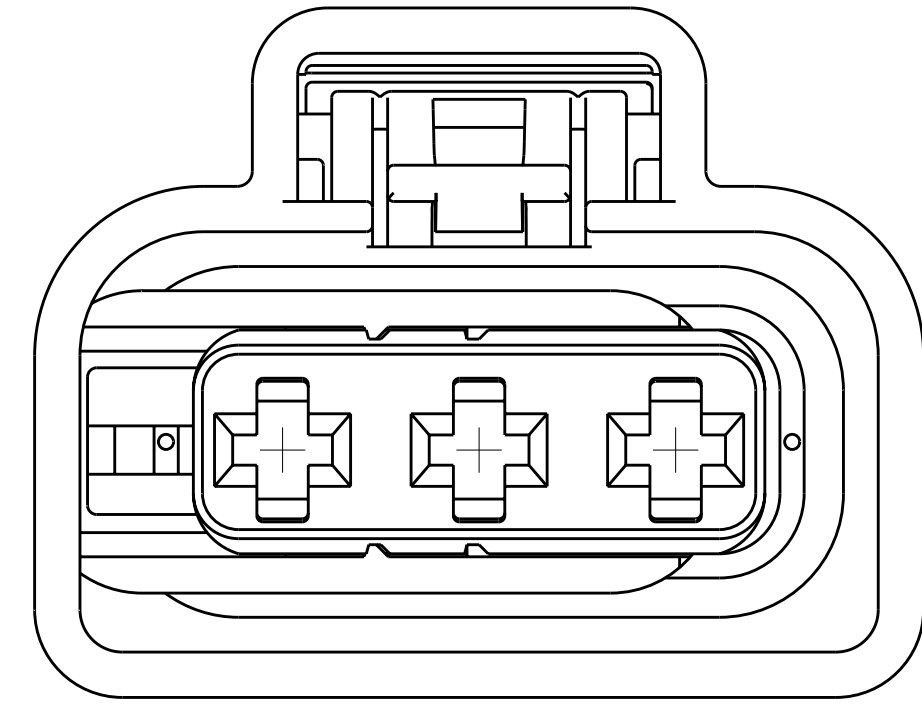
- CONTACT CIRCUITS DESIGNED TO RECEIVE TYCO ELECTRONICS (TE) 2.8 MCP RECEPTACLES AND WIRE SEALS. REFER TO TE C1355036. WIRE SIZES ACCOMODATED BY THIS DESIGN RANGE FROM 18AWG (0.8mm²) TO 14AWG (2.0mm²).
- NOTE DELETED.
- MATES WITH 3 POSITION CAP ASSEMBLY, TE PN 1326744-1, AND WIRE DRESS, TE PN 1326464-1.
- MATES WITH A CONNECTOR THAT CONFORMS TO THE REQUIREMENTS DEFINED IN SAE J2577 SEP 05. (TESTING UTILIZED AG PLATED PLUG RECEPTACLES AND SN PLATED CAP BLADES.)



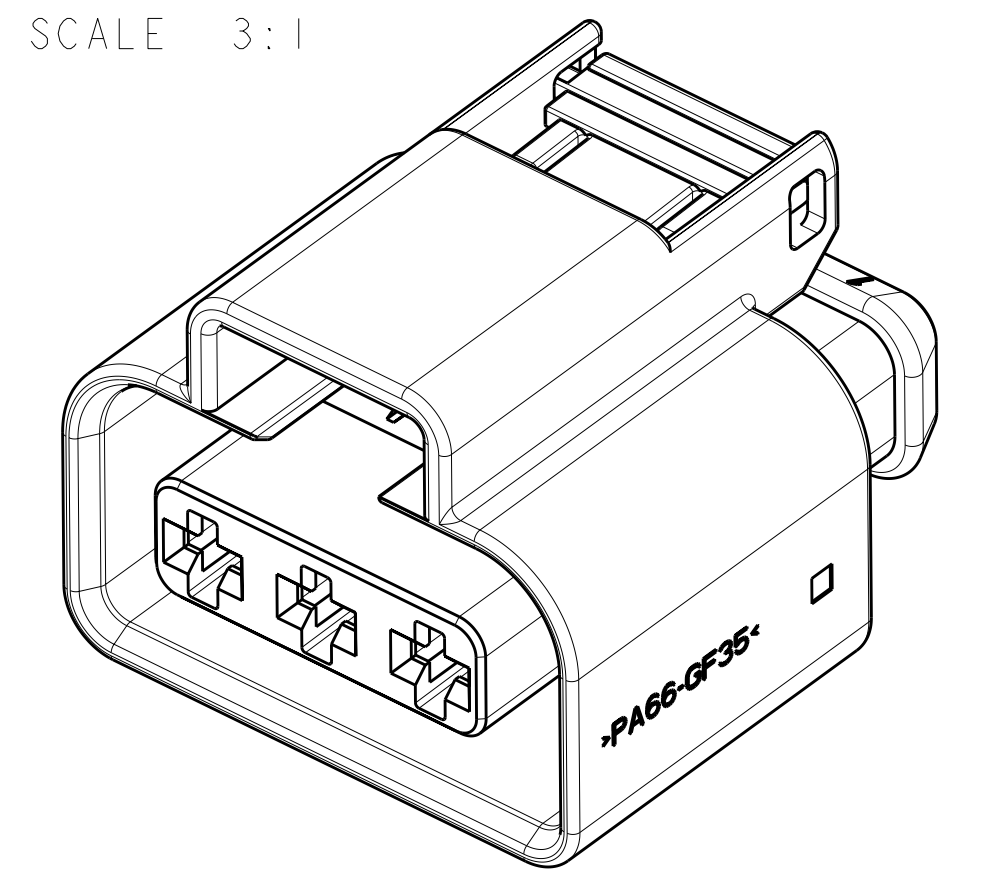
SCALE 3:1



(LOCKING PLATE SHOWN IN LOCKED POSITION)



(LOCKING PLATE SHOWN IN PRE-LOCK POSITION)



SCALE 3:1

1326460-1
 PART NUMBER

DIMENSIONS: mm 		TOLERANCES UNLESS OTHERWISE SPECIFIED: 0 PLC ± 1 PLC ±0.3 2 PLC ±0.2 3 PLC ± 4 PLC ± ANGLES ± FINISH ±		DWN B. HOLTZCLAW 17APR2006 CHK T. WOJTACKI 17APR2006 APVD T. WOJTACKI 17APR2006 NAME PRODUCT SPEC 108-2430 APPLICATION SPEC WEIGHT CUSTOMER DRAWING		Tyco Electronics Harrisburg, PA 17105-3608 ASSEMBLY, PLUG, SEALED, 3 POSITION MCP 2.8 SIZE CAGE CODE DRAWING NO RESTRICTED TO A 100779 C=1326460 SCALE 4:1 SHEET 1 OF 1 REV A	
-----------------------	--	---	--	--	--	--	--