

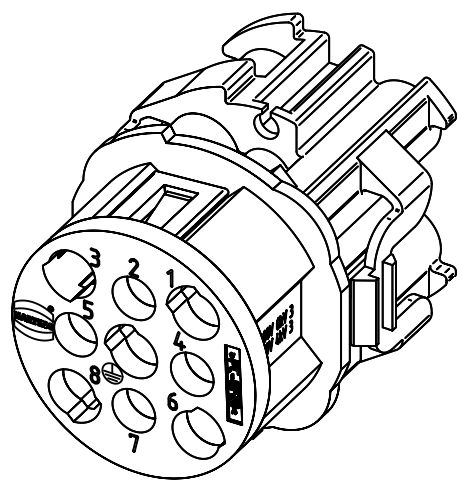
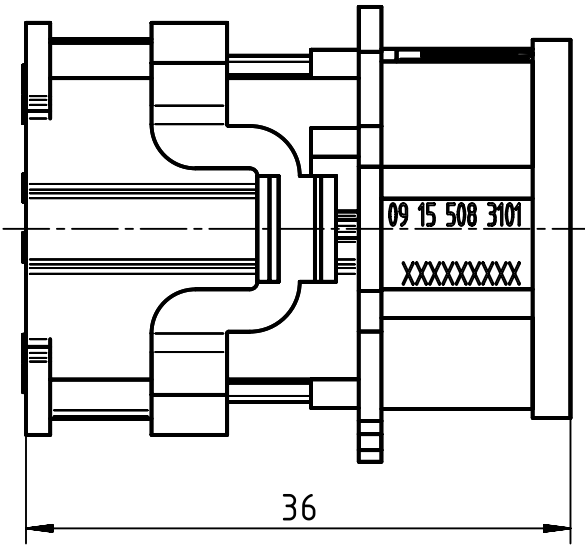
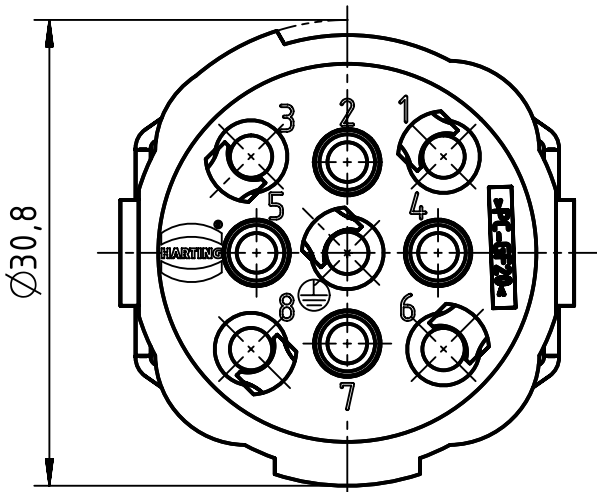
1 2 3 4 5 6


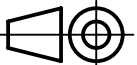
A

B

C

D



	All rights reserved		Created by HOLLERT		Inspected by GARSKE	Standardisation TIEMANNA	Date 2015-10-16	State Final Release
	Department EL PD - DE		Title Han F+B 4/4-F		Doc-Key / ECM-Nr. 100550238/UGD/001/E 500000095518			Rev. E
HARTING Electric GmbH & Co. KG D-32339 Espelkamp			Type TB	Number 09 15 508 3101				
 All Dimensions in mm Original Size DIN A4		Scale 2:1	Free size tol.			Ref. Sub.		