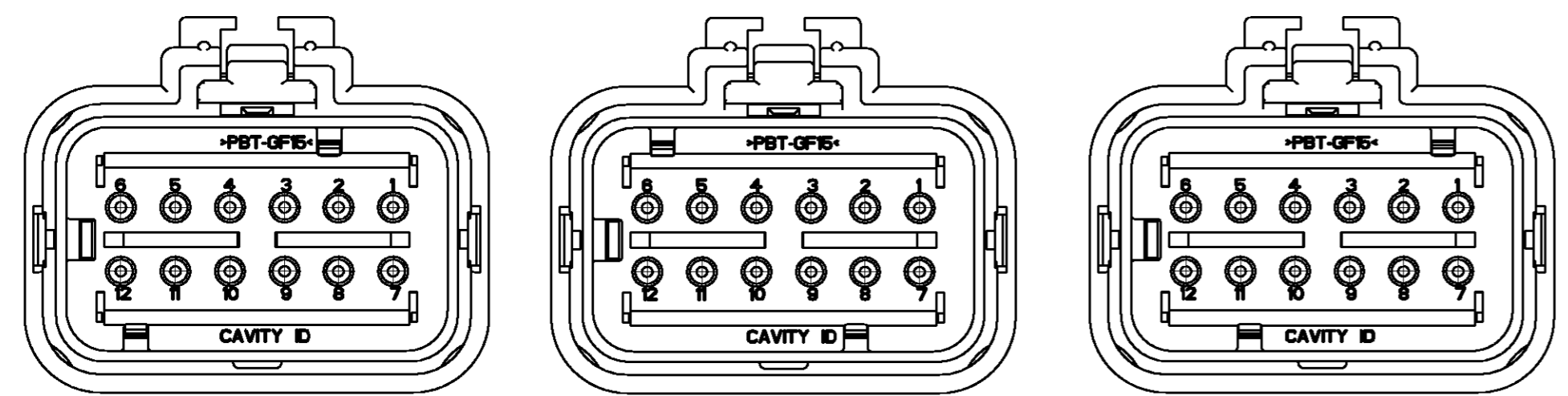


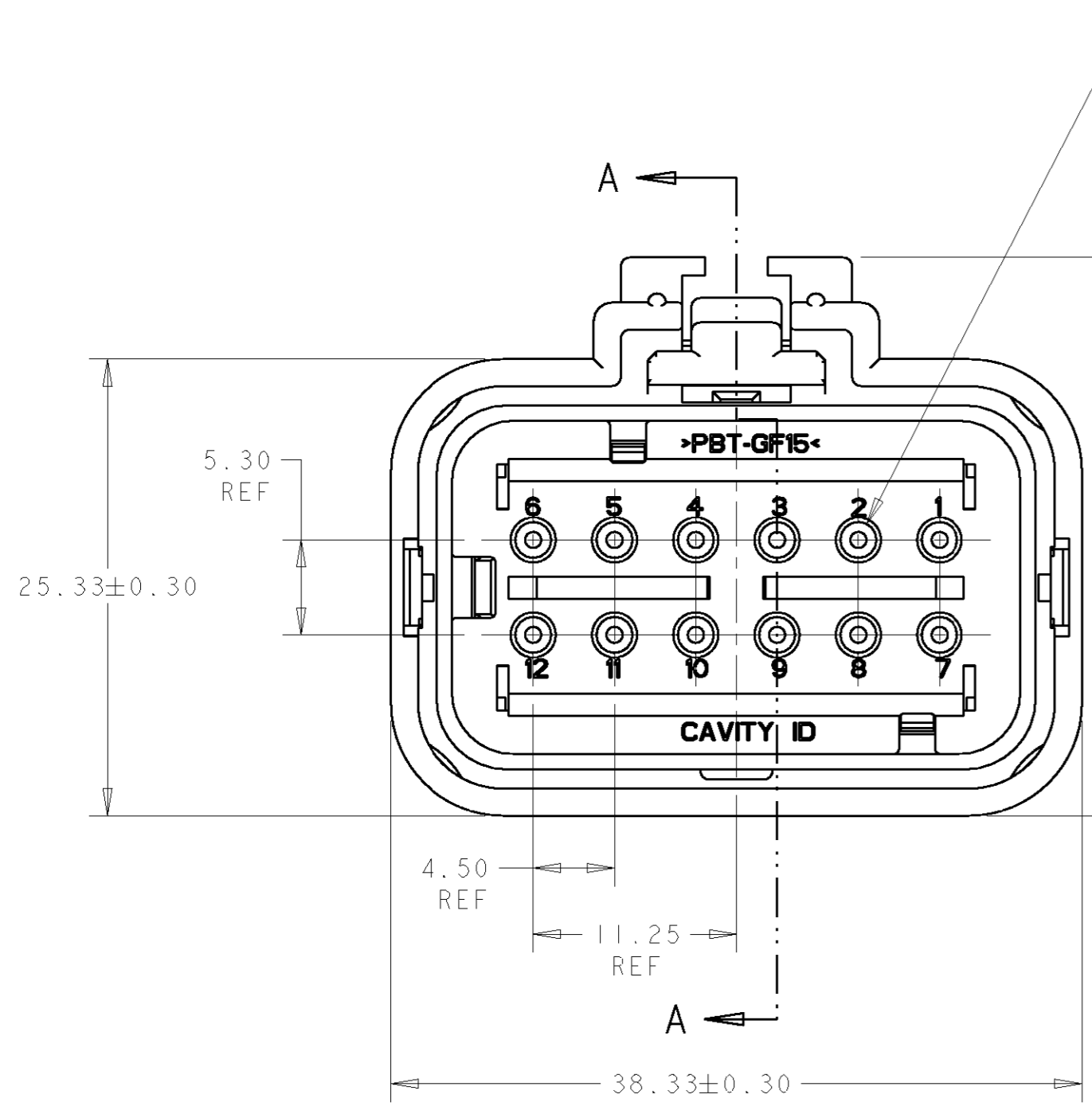
THIS DRAWING IS UNPUBLISHED. RELEASED FOR PUBLICATION 20  
 BY ALL RIGHTS RESERVED.

LOC	DIST	REVISIONS					
GE	00	F	LTR	DESCRIPTION	DATE	DWN	APVD
		D1		REVISED PER ECO-11-005294	30APR11	RK	HMR

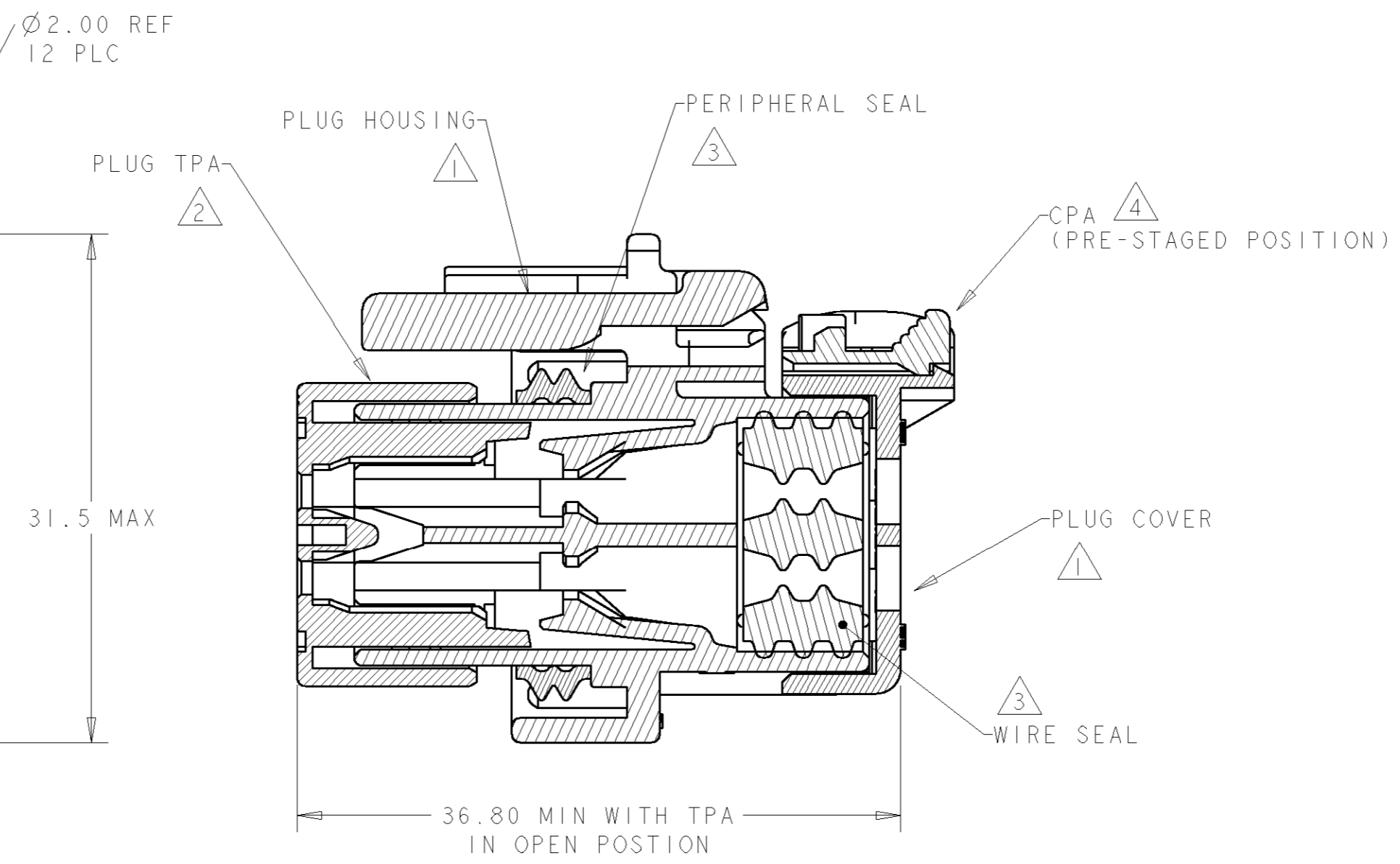


776533-2 SCALE 2:1  
 776533-3 SCALE 2:1  
 776533-4 SCALE 2:1

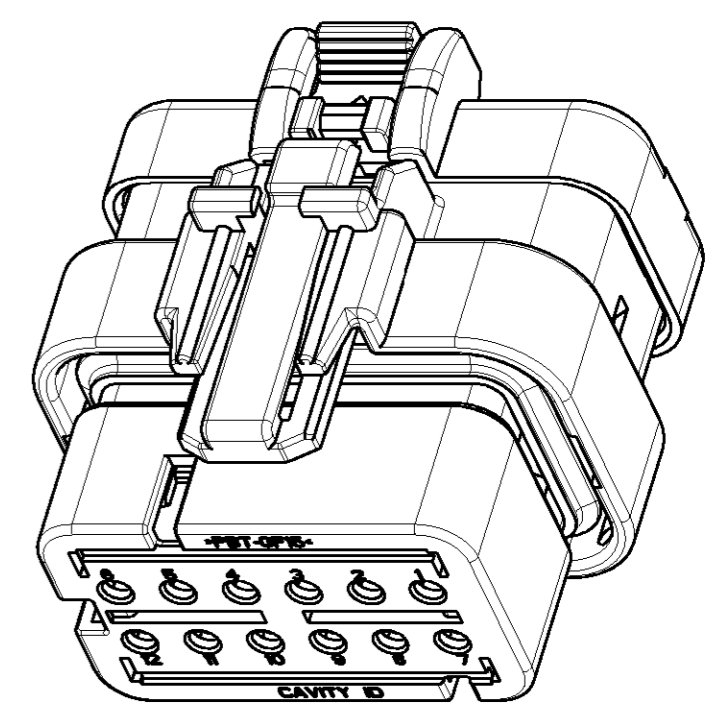
- 1 MATERIAL: 15% GLASS FILLED THERMOPLASTIC  
COLOR: BLACK
  - 2 MATERIAL: 15% GLASS FILLED THERMOPLASTIC  
COLOR: (SEE TABLE)
  - 3 MATERIAL: SILICONE  
COLOR: ORANGE
  - 4 MATERIAL: 15% GLASS FILLED THERMOPLASTIC  
COLOR: RED
5. RECOMMENDED WIRE DIAMETER RANGE IS 1.30 TO 2.54mm



776533-1 SHOWN



SECTION A-A



SCALE 2:1

TPA COLOR	PART NUMBER
GREEN	776533-4
YELLOW	776533-3
GRAY	776533-2
RED	776533-1

DIMENSIONS: mm 		TOLERANCES UNLESS OTHERWISE SPECIFIED: 0 PLC ± 1 PLC ± 2 PLC ± 3 PLC ± 4 PLC ± ANGLES ± FINISH		DWN W. HOELSCHER 03SEP2003 CHK J. PATTERSON 03SEP2003 APVD D. KLEIN 03SEP2003 PRODUCT SPEC - APPLICATION SPEC 114-13065 WEIGHT - CUSTOMER DRAWING		<b>STE</b> TE Connectivity NAME PLUG ASSEMBLY, 12 POSITION, 2 ROW, AMPSEAL 16 CONNECTOR REDUCED DIA WIRE SEAL SIZE A2 CAGE CODE 00779 DRAWING NO. 776533 RESTRICTED TO - SCALE 3:1 SHEET OF 1 REV D1	
-----------------------	--	---	--	---	--	---	--