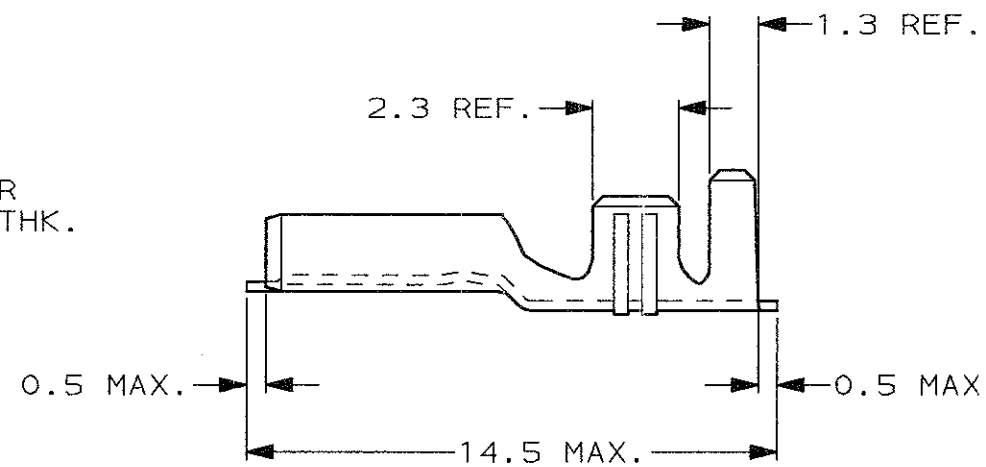
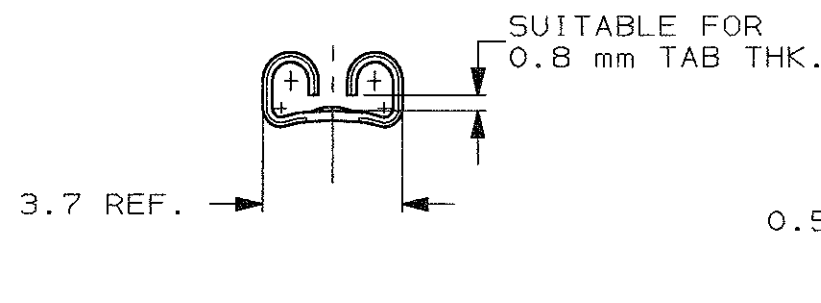
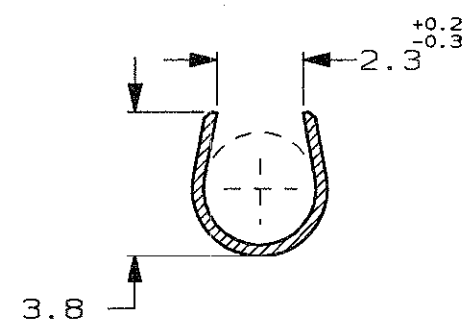
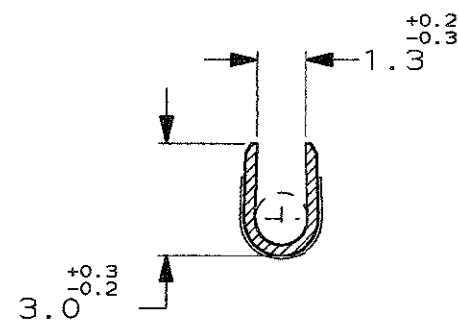


- PER LE VERSIONI IN NASTRO
1) VEDERE DISEGNO 180423.
(FOR STRIP FORM VERSION SEE DRAWING 180423)
- 2) CONFEZIONATO IN ACCORDO
ALLA SPECIFICA AMP 107-20201.
(PACKAGE ACCORDING TO AMP SPEC. 107-20201)



SEZIONE A-A
(SECTION A-A)

SEZIONE B-B
(SECTION B-B)



| | | | |
|--|-------------------------|-------------------------|-----|
| STAGNATO (TIN PLATED) | OTTONE (BRASS) | 0-180439-2 | G |
| FINITURA / COLORE (FINISH / COLOUR) | MATERIALE (MATERIAL) | NUMERO (PART NUMBER) | REV |

CUSTOMER DWG. FOR REFERENCE ONLY DISEGNO PER CLIENTE SOLO PER RIFERIMENTO

THIS DRAWING IS UNPUBLISHED RELEASE FOR PUBLICATION 19

© COPYRIGHT 19 BY AMP INCORPORATED, HARRISBURG, PA. ALL INTERNATIONAL RIGHT RESERVED. AMP PRODUCTS MAY BE COVERED BY U.S. AND FOREIGN PATENT AND/OR PATENT PENDING

| | | | |
|---|-------------------------------------|--------------------------------|------------------|
| TOLLERANZE, SE NON DIVERSAMENTE SPECIFICATO (TOLERANCES, UNLESS OTHERWISE SPECIFIED) | DIAM. ISOLANTE (INS. DIA. RANGE) | RANGO FILO (WIRE RANGE) mm2 | SCALA (SCALE) |
| ± 0.3 | 1.5-2.8 | 0.5-1.5 | 5:1 |

ANGOLI (ANGLES) ± 2°

AMP AMP ITALIA S.p.A.
Corso F.lli Cervi, 15
COLLEGNO (TORINO)

DIS. 20 JUN 2001 (DR.) H. YAALI

DESCRIZIONE (DESCRIPTION) FASTON® Connector, .110" sr. REC. CONTACT (LOOSE PIECE VERSION)

| | | | |
|------------------------|---------------------------|------|----------------|
| CONT. (CHK) C. TARTARI | LOC. SIZE NUMERO (DWG NO) | REV. | FOGLIO (SHEET) |
| APP. (APP.) | I A3 C-180439 | G | 1 DI (OF) 1 |

| | | | |
|------|---------------------------------------|-----------|-------------|
| REV. | REVISIONI (REVISION RECORD) | DIS. (DR) | DATA (DATE) |
| G | OBSOLETE PARTS & REDRAWN ET00-0161-01 | H. Y. | 04 JUL 2001 |