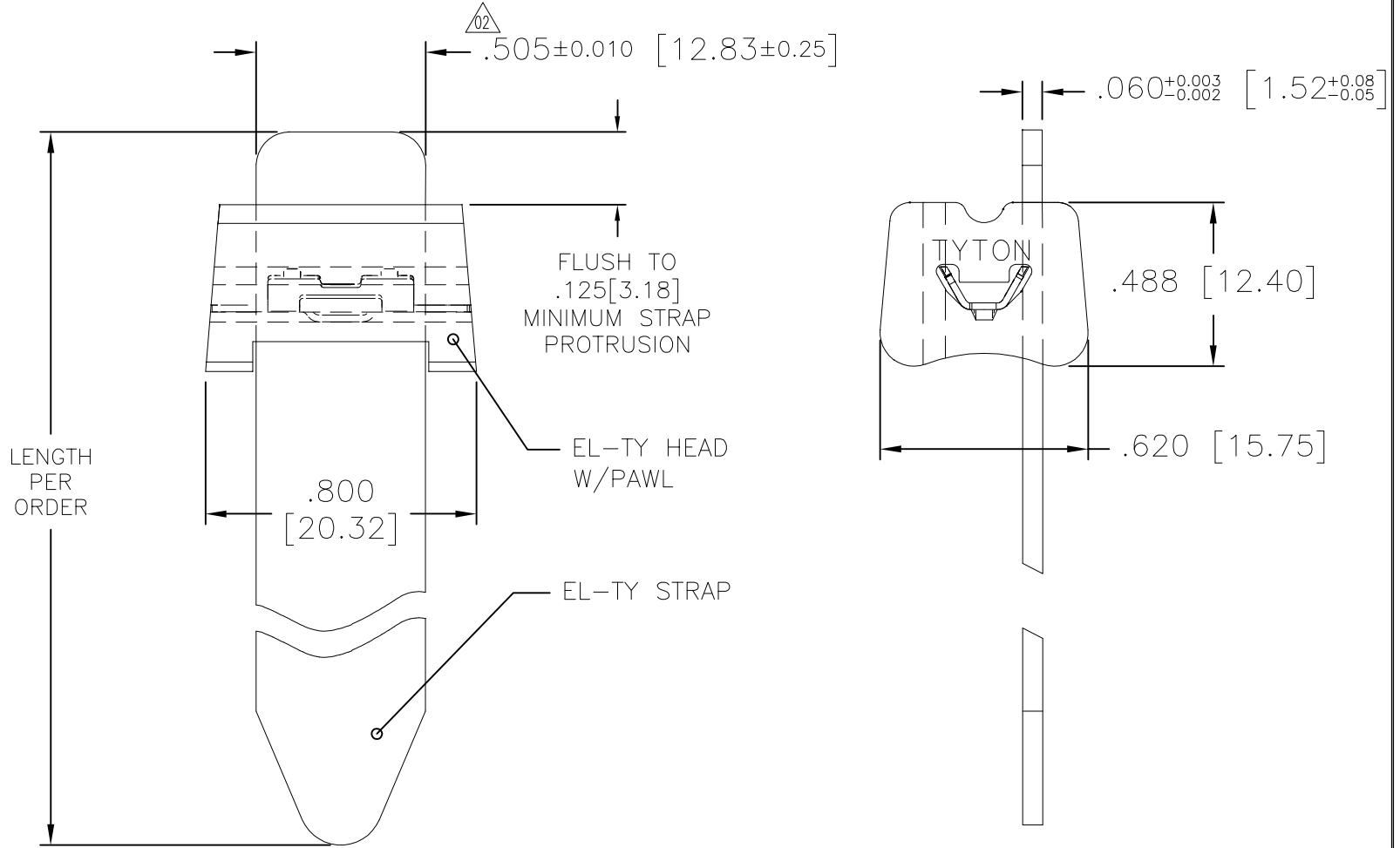


PART NUMBER	DESCRIPTION	Revision level		Revision Record	Changed	Date	Approved	Date
		part	drawing					
TELS-H	25 DOUBLE ENTRY DOUBLE LOCKING HEADS ONLY	-	02	See ECN 010674	A.A.C.	03/13/07	K.A.C.	03/13/07

TELS-13	10-13.5 IN. OF CABLE STRAP WITH 10 HEADS
TELS-27	10-27 IN. OF CABLE STRAP WITH 10 HEADS



250lbs △02 [1112 Newtons]
Min. Tensile Unlocking Strength
HEAD = ACETAL PAWL = STEEL STRAP = ACETAL
Material

Dimension tolerances unless otherwise specified .XXX = .XXX = ± .005/[.127] .XX = ± .02/[.51] .X = ∠ = ± 2'
Dimension Units in / [mm]
PERFORMANCE SPECIFICATION

ACAD MECH 2007		
ALL PROPRIETARY RIGHTS IN THE SUBJECT MATTER SHOWN ON THIS DRAWING ARE EXCLUSIVE PROPERTY OF HELLERMANN TYTON		

Drawn G.G.G.	4/18/94
Approved K.A.C.	3/13/07
HellermannTyton® 7930 N. Faulkner Rd. Milwaukee, WI 53224 Ph: (414) 355-1130 Fx: (414) 362-8338	

Scale 2:1	Computer File Number CT\SER\1080303_01
Title EL-TY	Phase: Production
Drawing-No CT1080303SER	Format D. Size AH
	Sheet 1 / 1