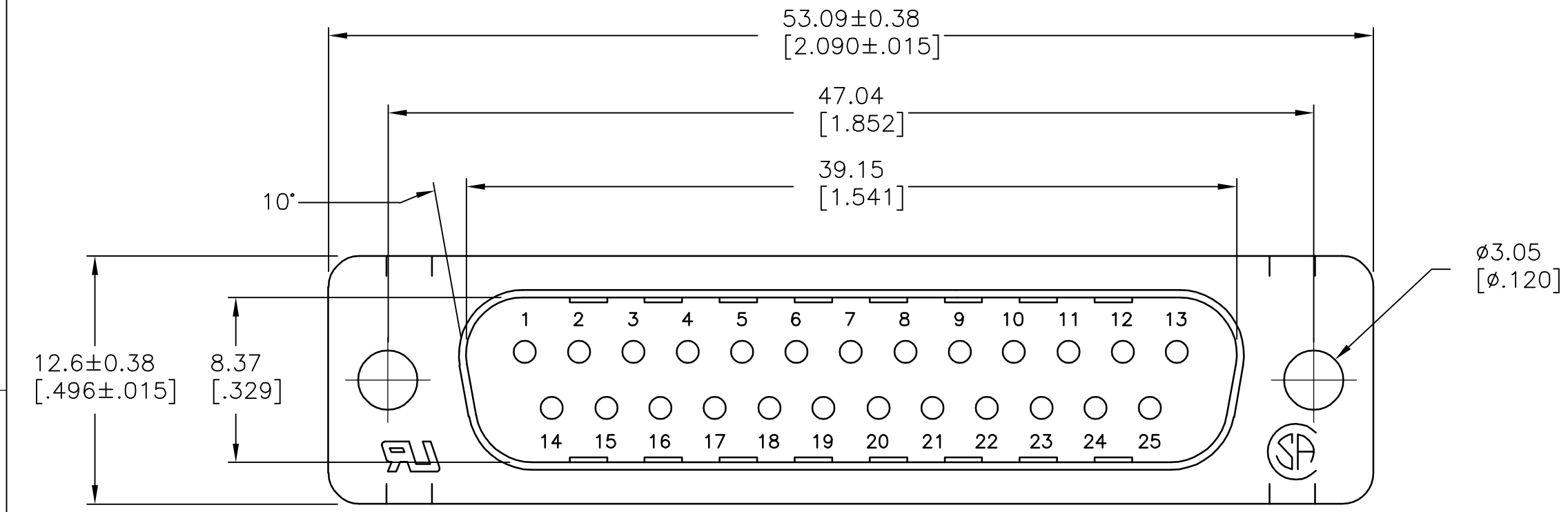
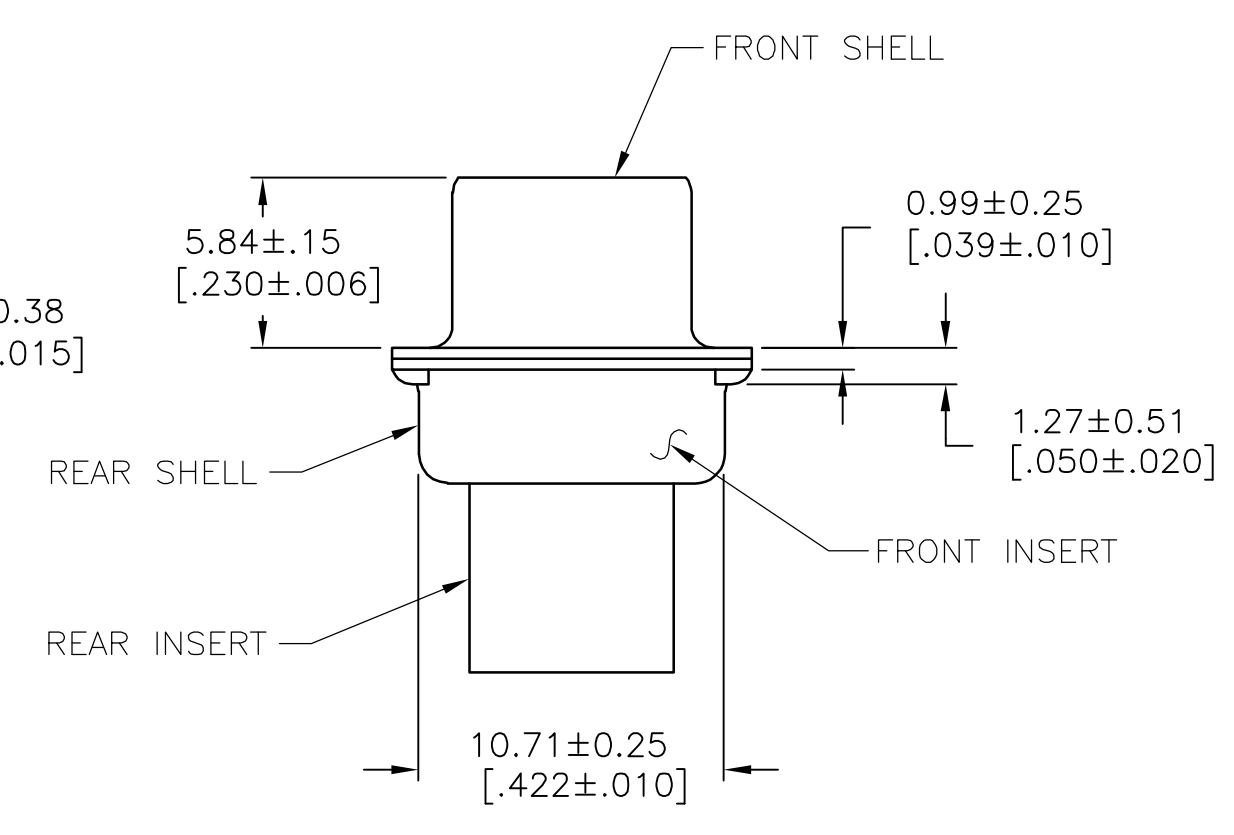
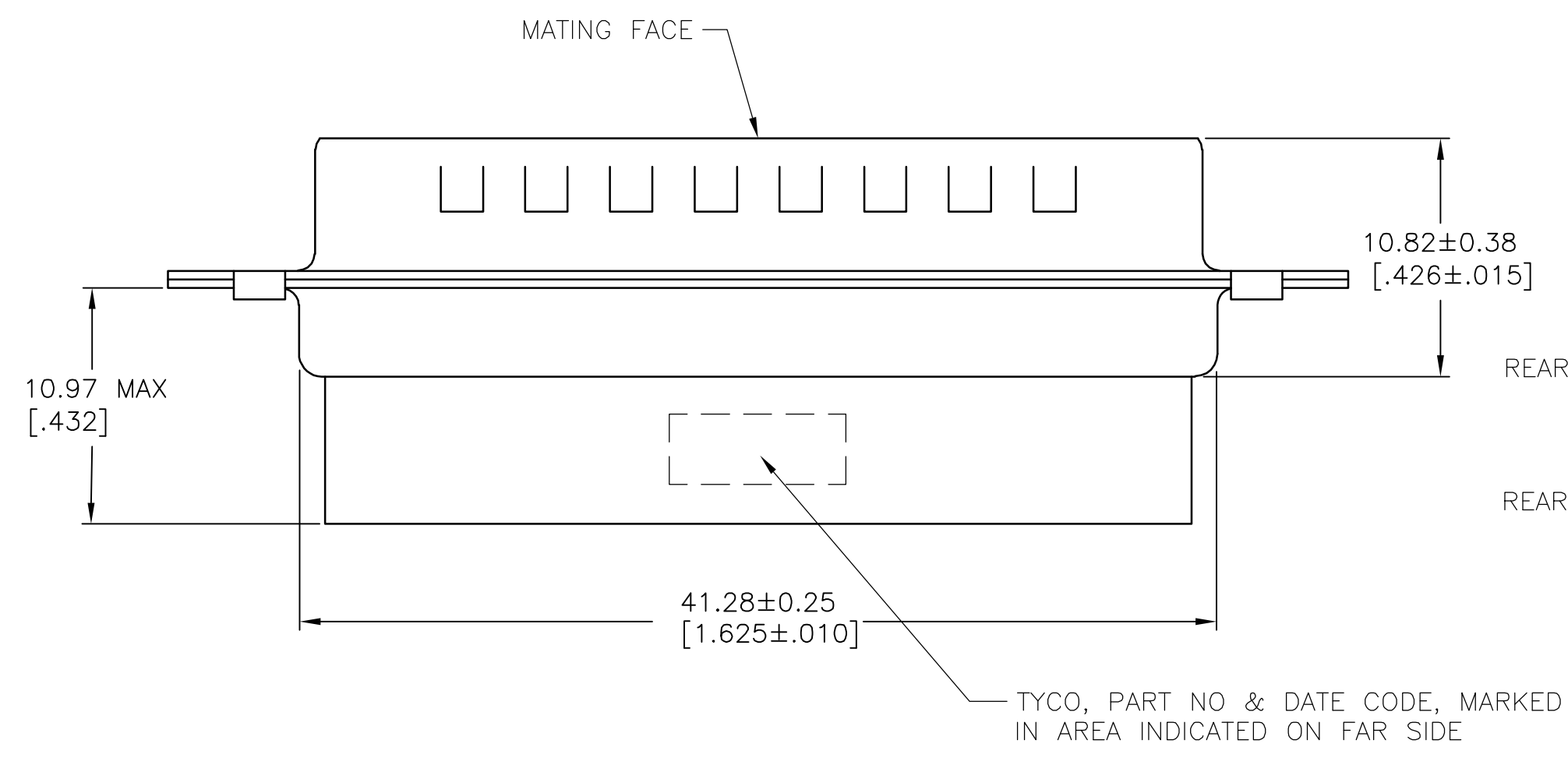


THIS DRAWING IS UNPUBLISHED. RELEASED FOR PUBLICATION
 © COPYRIGHT 2006 BY TYCO ELECTRONICS CORPORATION. ALL RIGHTS RESERVED.

LOC	DIST	REVISIONS			
P	LTR	DESCRIPTION	DATE	DWN	APVD
GP	00	A	RELEASED PER PPR 100-05	27MAR06	JG CR



- 1. INSERTS: FLAME RETARDANT GLASS FILLED NYLON, UL94V-0 RATED, COLOR BLACK. SHELLS: CARBON STEEL.
- 2. SHELLS: 0.00254[.000100] MIN TIN OVER 0.00051[.000020] MIN NICKEL OVER 0.00254[.000100] MIN COPPER.
- 3. CONNECTOR ACCEPTS SIZE 20 DF PIN CONTACTS. RETENTION TINES ARE AN INTEGRAL PART OF INSERT.



1888307-1
 PART NUMBER

THIS DRAWING IS A CONTROLLED DOCUMENT.		DWN J.GERACE 28MAR06	Tyco Electronics Corporation Harrisburg, Pa 17105-3608
DIMENSIONS: mm[INCHES]		CHK C.ROHDE 27AMR06	
TOLERANCES UNLESS OTHERWISE SPECIFIED:		APVD M.WALMSLEY 27MAR06	NAME PLUG CONNECTOR, SIZE 3, 25 POS, AMPLIMITE HDP
0 PLC ± -	1 PLC ± -	PRODUCT SPEC 108-40005	APPLICATION SPEC 114-40030
2 PLC ± -	3 PLC ± 0.13[.005]	SIZE A2	CAGE CODE 00779
4 PLC ± -	ANGLES ± 2'	DRAWING NO 1888307	RESTRICTED TO -
MATERIAL 1	FINISH 2	WEIGHT -	SCALE 4:1
CUSTOMER DRAWING		SHEET 1 OF 1	REV A

1888307