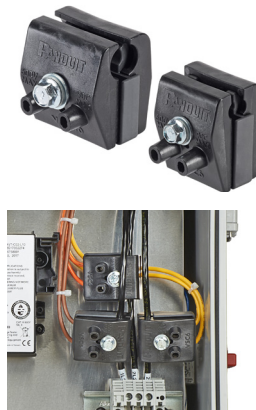


# VeriSafe™ Insulation Piercing Connector

## applications

The VeriSafe™ Insulation Piercing Connector provides a fast, secure, and reliable way to terminate AVT sensor leads. The compact connector design accommodates up to two taps in a single housing that fully insulates both connections. The patent pending connector allows taps to be made without compromising the integrity of conductors and includes integrated strain relief. Installation is fast and easy without the need to strip wires. Ideal for new and retrofit applications, connections can be made without modifying existing conductor runs.



## specifications

Insulation piercing connector for copper wire with two mechanically isolated taps. Optimized for use with VeriSafe™ AVT sensor leads when prepared with Panduit ferrules, P/N F80-12-M.

## technical information

<b>Cable run:</b>	14 – 3/0 AWG (Copper conductors, solid or stranded class A & B)
<b>Taps:</b>	(2) 14 AWG (copper conductors, solid or stranded with ferrules) For stranded wire, use with ferrule F80-12-M
<b>Connector materials:</b>	Housing – polyamide Insulator – elastomeric polymer
<b>Operating temperature:</b>	Up to 90°C (194°F)
<b>Voltage range:</b>	600V maximum
<b>Standards &amp; compliance:</b>	UL 486A-UL 486B, CSA C22.2 No 65-13 cULus listed RoHS compliant

## key features and benefits

<b>Compact and space saving:</b>	Terminate two taps with a single connector Fewer parts, less space needed for each installation Optimized for use with VeriSafe™ Absence of Voltage Tester sensor leads
<b>Fast installation:</b>	Insulation piercing design allows for installation without the need to strip insulation from wires Easily retrofit existing cable runs without modifying conductors
<b>Fully insulated design:</b>	Safe and reliable connections
<b>Secure connections:</b>	Taps are made without compromising the integrity of conductors Housing includes integrated strain relief
<b>Flexible design:</b>	Family of connectors covers a wide range of cable runs Suitable for new or retrofit applications

## Insulation Piercing Connectors

- VS-CKP14-6:** VeriSafe™ Insulation Piercing Connection Kit for Tapping 14 to 6 AWG conductors. Kit includes 3 connectors for installment of 1 AVT.
- VS-CKP4-000:** VeriSafe™ Insulation Connection Kit for Tapping 4 to 3/0 AWG conductors. Kit includes 3 connectors for installment of 1 AVT.

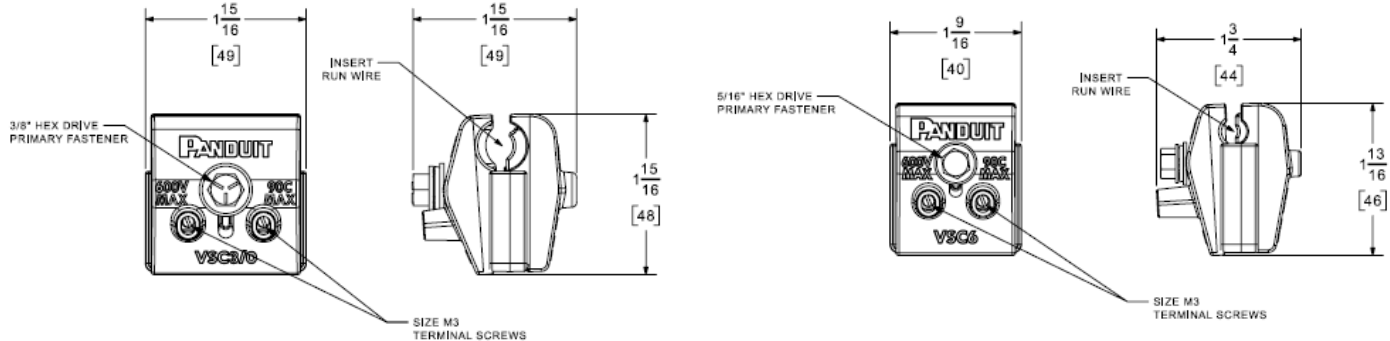
## Equipment Retrofit Kits

- VS-AVT-RKP1:** Complete kit to retrofit equipment with VeriSafe™ Absence of Voltage Tester. Includes AVT device with 10ft. sensor leads, 8ft. system cable, VeriSafe™ Insulation Piercing Connection Kit 14-6 AWG power connectors, (12) cable ties, (6) cable ties mounts, (1) wire marker card.
- VS-AVT-RKP2:** Complete kit to retrofit equipment with VeriSafe™ Absence of Voltage Tester. Includes AVT device with 10ft. sensor leads, 8ft. system cable, VeriSafe™ Insulation Piercing Connection Kit 4 - 3/0 AWG power connectors, (12) cable ties, (6) cable ties mounts, (1) wire marker card.

# VeriSafe™ Insulation Piercing Connector

## part information

Part Number	Product Description
VS-CKP14-6	VeriSafe™ Insulation Piercing Connection Kit for tapping 14 to 6 AWG conductors. Includes 3 connectors and 12 insulated ferrules for 14 AWG Type K stranded wires.
VS-CKP4-000	VeriSafe™ Insulation Connection Kit for tapping 4 to 3/0 AWG conductors. Includes 3 connectors and 12 insulated ferrules for 14 AWG Type K stranded wires.



Dimensions in inches [millimeters]

## related products

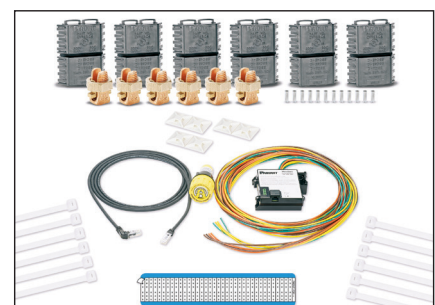
Part Number	Product Description
VS-CKSB10-8	VeriSafe™ Split Bolt Connection Kit for tapping 10 to 8 AWG conductors. For use with VeriSafe™ Absence of Voltage Tester.
VS-CKSB6-2	VeriSafe™ Split Bolt Connection Kit for tapping 6 to 2 AWG conductors. For use with VeriSafe™ Absence of Voltage Tester.
VS-CKSB1-00	VeriSafe™ Split Bolt Connection Kit for tapping 2 to 2/0 AWG conductors. For use with VeriSafe™ Absence of Voltage Tester.
VS-AVT-RKSB1	Complete kit to retrofit equipment with VeriSafe™ Absence of Voltage Tester. Includes AVT device with 10ft. sensor leads, 8ft. system cable, Split Bolt Connection Kit 10-8 AWG power connectors, (12) cable ties, (6) cable ties mounts, (1) wire marker card.
VS-AVT-RKSB2	Complete kit to retrofit equipment with VeriSafe™ Absence of Voltage Tester. Includes AVT device with 10ft. sensor leads, 8ft. system cable, Split Bolt Connection Kit 6-2 AWG power connectors, (12) cable ties, (6) cable ties mounts, (1) wire marker card. PVS0507W2103Y
VS-AVT-RKSB3	Complete kit to retrofit equipment with VeriSafe™ Absence of Voltage Tester. Includes AVT device with 10ft. sensor leads, 8ft. system cable, Split Bolt Connection Kit 2-2/0 AWG power connectors, (12) cable ties, (6) cable ties mounts, (1) wire marker card.
PVS0507W2103Y	NFPA 70E Arc flash label, 5.0" H x 7.0" W (127.0mm x 177.8mm), warning header, 'Arc flash & shock hazard appropriate PPE required...' (legend), vinyl adhesive, orange header and black/white, 1 sign/card, 5 cards/package.
PSL-KT-PWRP	Power and Panel Distribution Lockout Kit



Split Bolt Connectors



LOTO Stations and Kits



Absence of Voltage Tester Retrofit Kit

### WORLDWIDE SUBSIDIARIES AND SALES OFFICES

PANDUIT US/CANADA  
Phone: 800.777.3300

PANDUIT EUROPE LTD.  
London, UK  
Phone: 44.20.8601.7200

PANDUIT SINGAPORE PTE. LTD.  
Republic of Singapore  
Phone: 65.6305.7575

PANDUIT JAPAN  
Tokyo, Japan  
Phone: 81.3.6863.6000

PANDUIT LATIN AMERICA  
Guadalajara, Mexico  
Phone: 52.33.3777.6000

PANDUIT AUSTRALIA PTY. LTD.  
Victoria, Australia  
Phone: 61.3.9794.9020

For a copy of Panduit product warranties, log on to [www.panduit.com/warranty](http://www.panduit.com/warranty)

# PANDUIT®

Visit us at [www.panduit.com/verisafe](http://www.panduit.com/verisafe)

iai@panduit.com

©2018 Panduit Corp.  
ALL RIGHTS RESERVED.  
SFSP03--SA-ENG  
5/2018