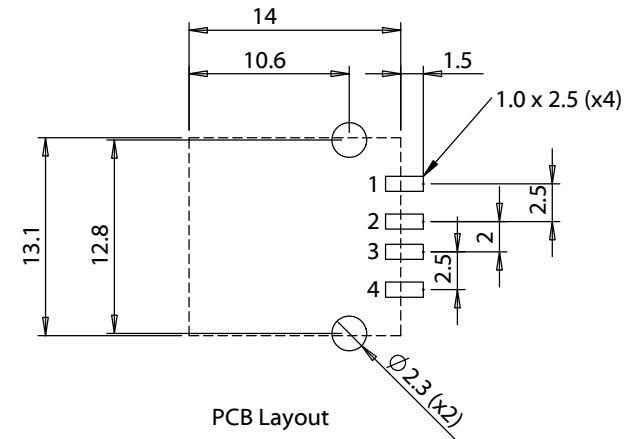
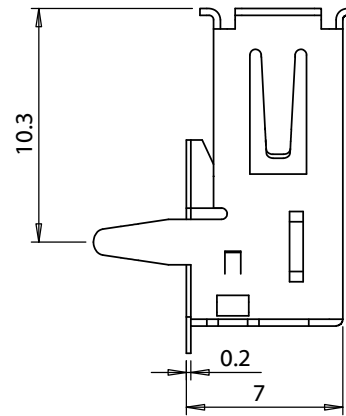
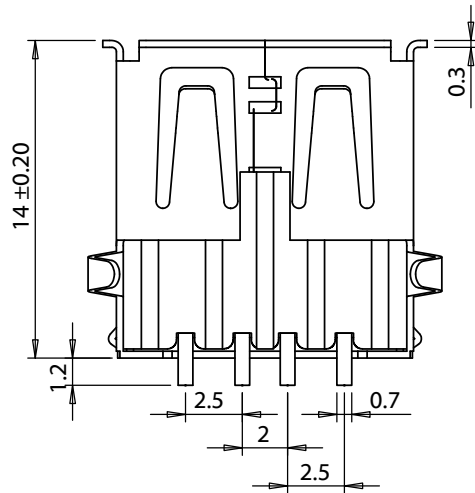
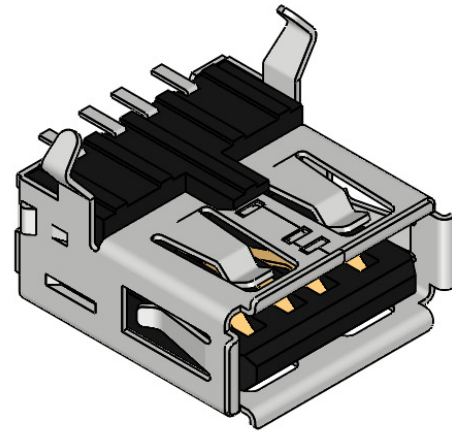
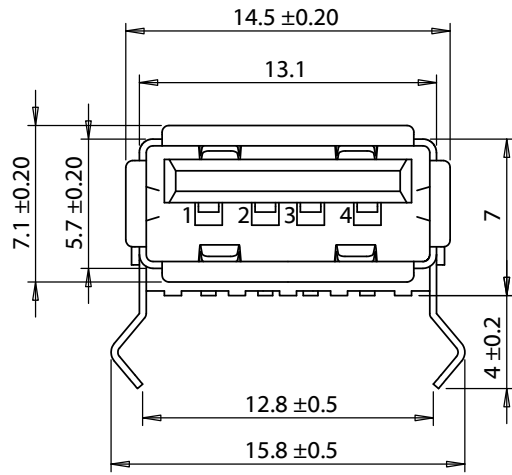


USB A jack 90° SMT mount



DIMENSIONS ARE IN MILLIMETERS

TOLERANCES:
Up to 1.0: ± 0.1 mm
1.0 to 10.0: ± 0.2 mm
Over 10.0: ± 0.3 mm

NOTES
RoHS and REACH compliant

DESCRIPTION:
Connector, USB A jack, SMT mount, 90°, nickel shell, board lock, black insulator

TENSILITY

20802 Sockeye Place #130
Bend, OR 97701 USA
tel 541.323.3228 fax 541.323.4202
800 877.670.7118 www.tensility.com

SIZE	PART NUMBER
A	54-00003

SCALE: 3:1

SHEET 1 OF 2

USB A jack 90° SMT mount

Materials

1. Shell, steel, nickel plated
2. Pins, brass, 5 μ" gold and tin plating
3. Insulator, PBT, black

Electrical

Rated voltage: 30 Vdc
 Rated current: 3 A
 Dielectric strength: 1 min @ 500 Vac
 Insulation resistance: 500 MΩ @ 500 Vdc
 Contact resistance: 50 mΩ or less

Mechanical

Insertion force: 3.5 kgf maximum
 Withdrawal force: 1.0 kgf minimum
 Durability: 1500 cycle minimum life; less than 100 mΩ contact resistance, minimum 100 MΩ insulation resistance
 Terminal strength: 0.3 kgf in any direction for 15 seconds without damage or looseness

Soldering

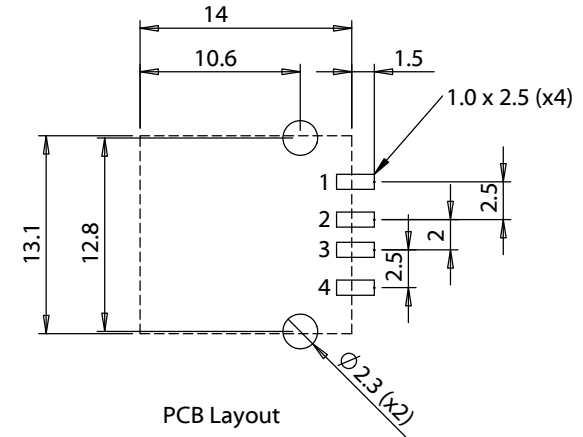
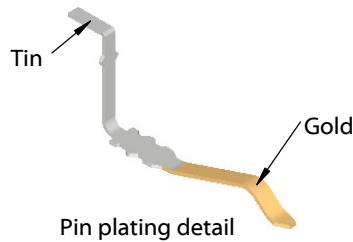
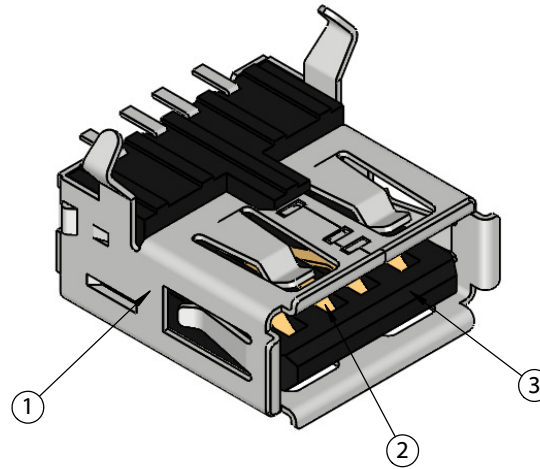
Solderability: 75% minimum coverage when terminals dipped 2 mm in 245 ±5 °C solder bath for 3 ±0.5 seconds
 Solder bath durability: no deformation when immersed in 255 ±5 °C up to surface of the board for 5 seconds or less
 Solder iron durability: no deformation when exposed to 350 ±10 °C for 3 ±0.5 seconds

Environmental

Cold test: -25 ±3 °C for 48 hours without deformation
 Heat test: 70 ±2 °C for 48 hours without deformation
 Humidity test: 40 ±2 °C and humidity between 90 and 98 % for 48 hours without deformation

Operating range

-10 ~ 60 °C



REVISION	DATE	DESCRIPTION	PREPARED:	NOTES	<h1>TENSILITY</h1> <p>20802 Sockeye Place #130 Bend, OR 97701 USA tel 541.323.3228 fax 541.323.4202 800 877.670.7118 www.tensility.com</p>		
A	9/28/2015	Initial release		RoHS and REACH compliant			
			VERIFIED:		SIZE	PART NUMBER	
			DIMENSIONS ARE IN MILLIMETERS	DESCRIPTION:	A	54-00003	
			TOLERANCES: Up to 1.0: ± 0.1 mm 1.0 to 10.0: ± 0.2 mm Over 10.0: ± 0.3 mm	Connector, USB A jack, SMT mount, 90°, nickel shell, board lock, black insulator	SCALE: 3:1		SHEET 2 OF 2