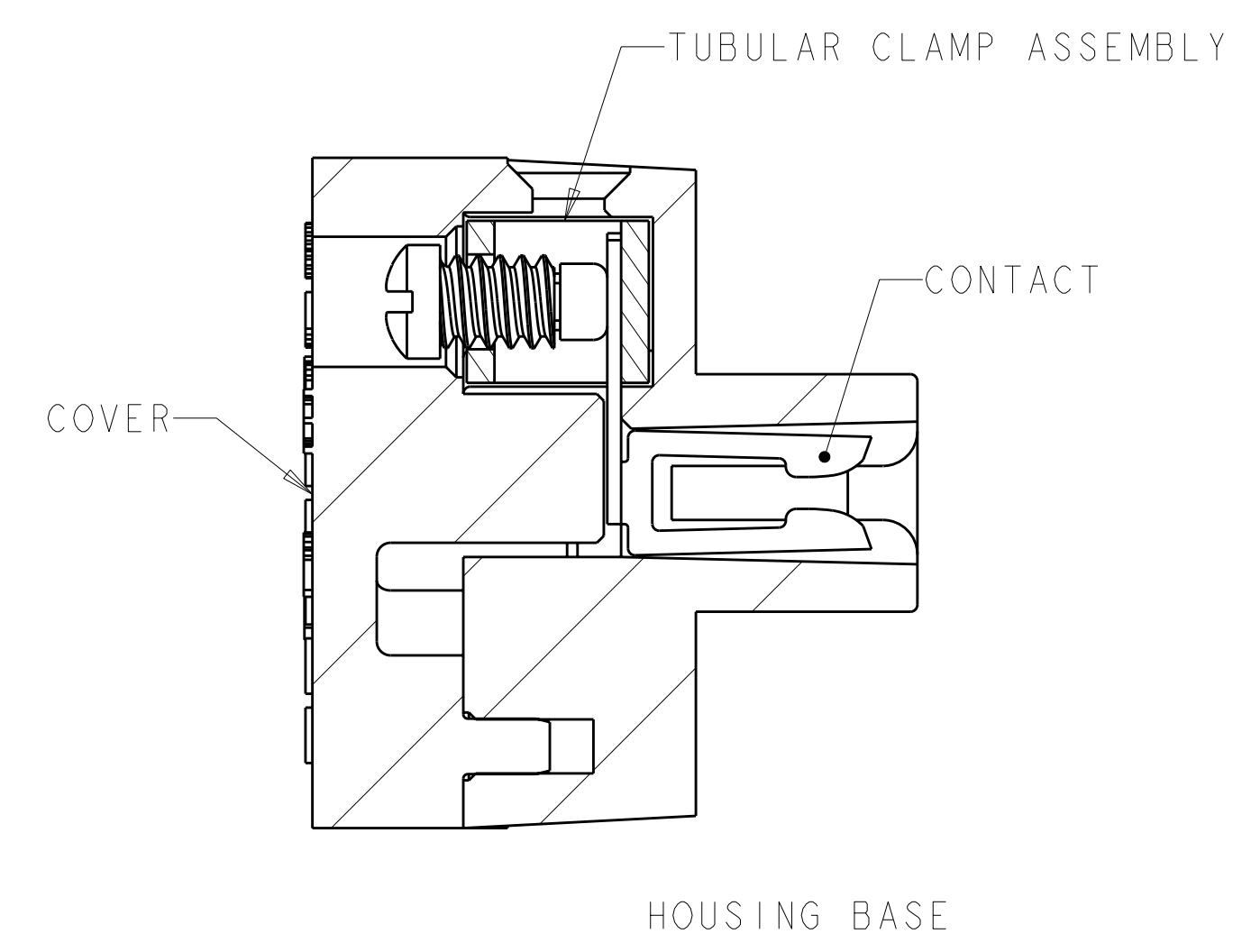
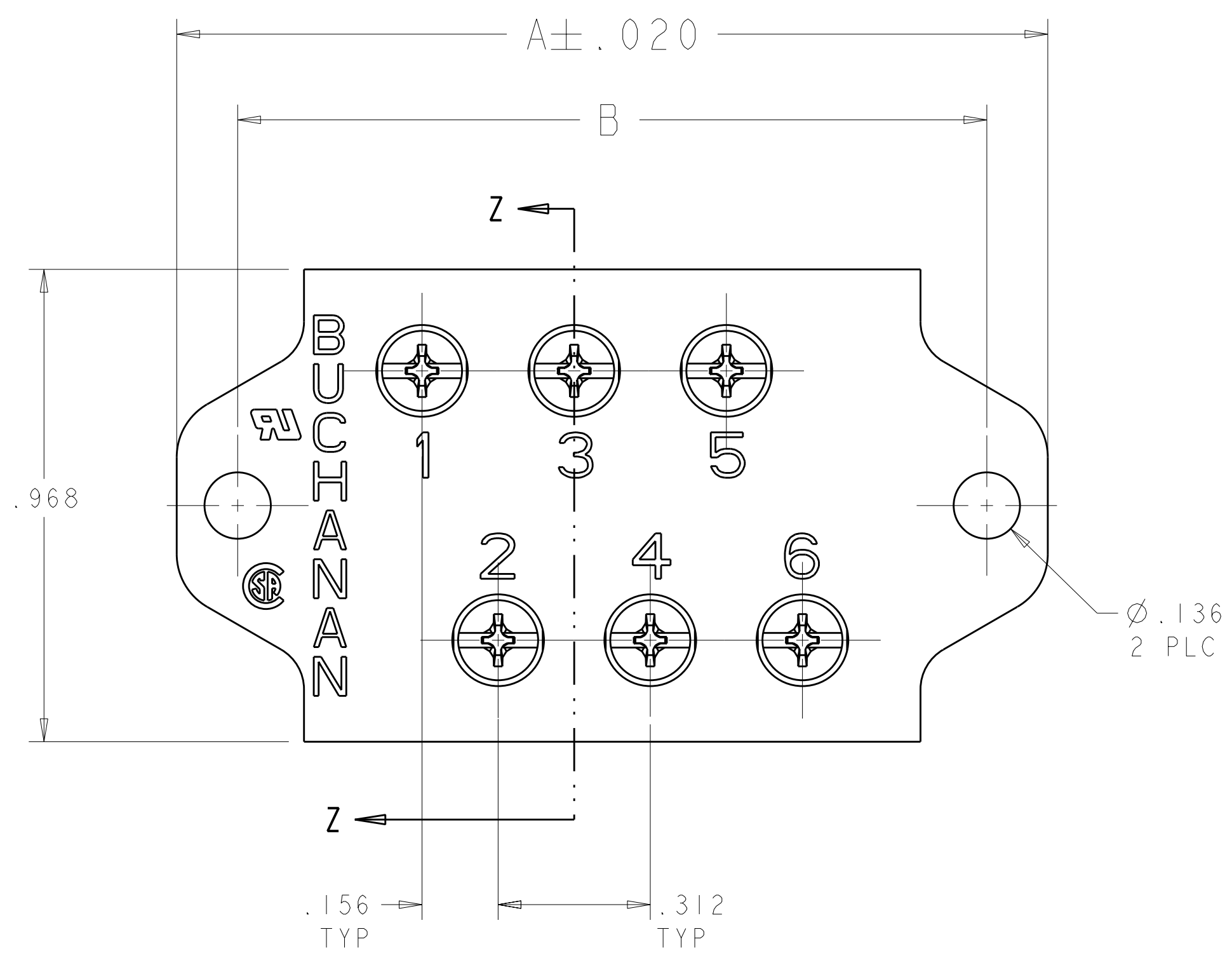
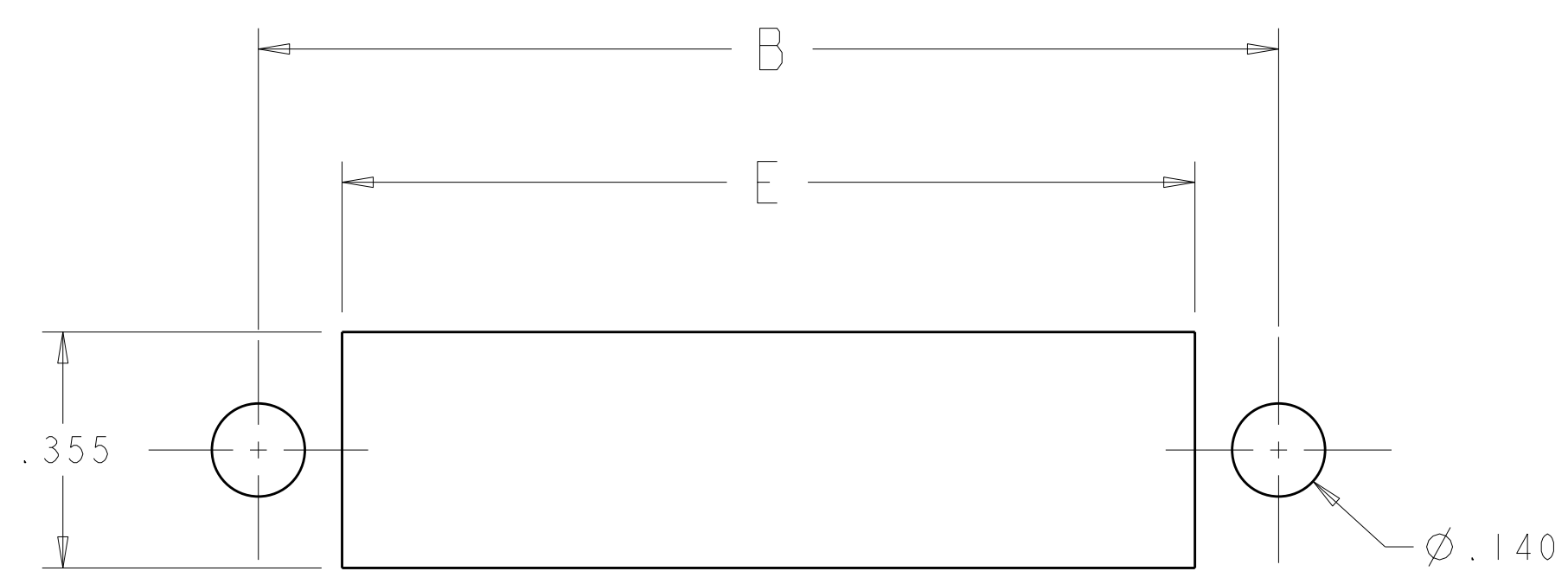
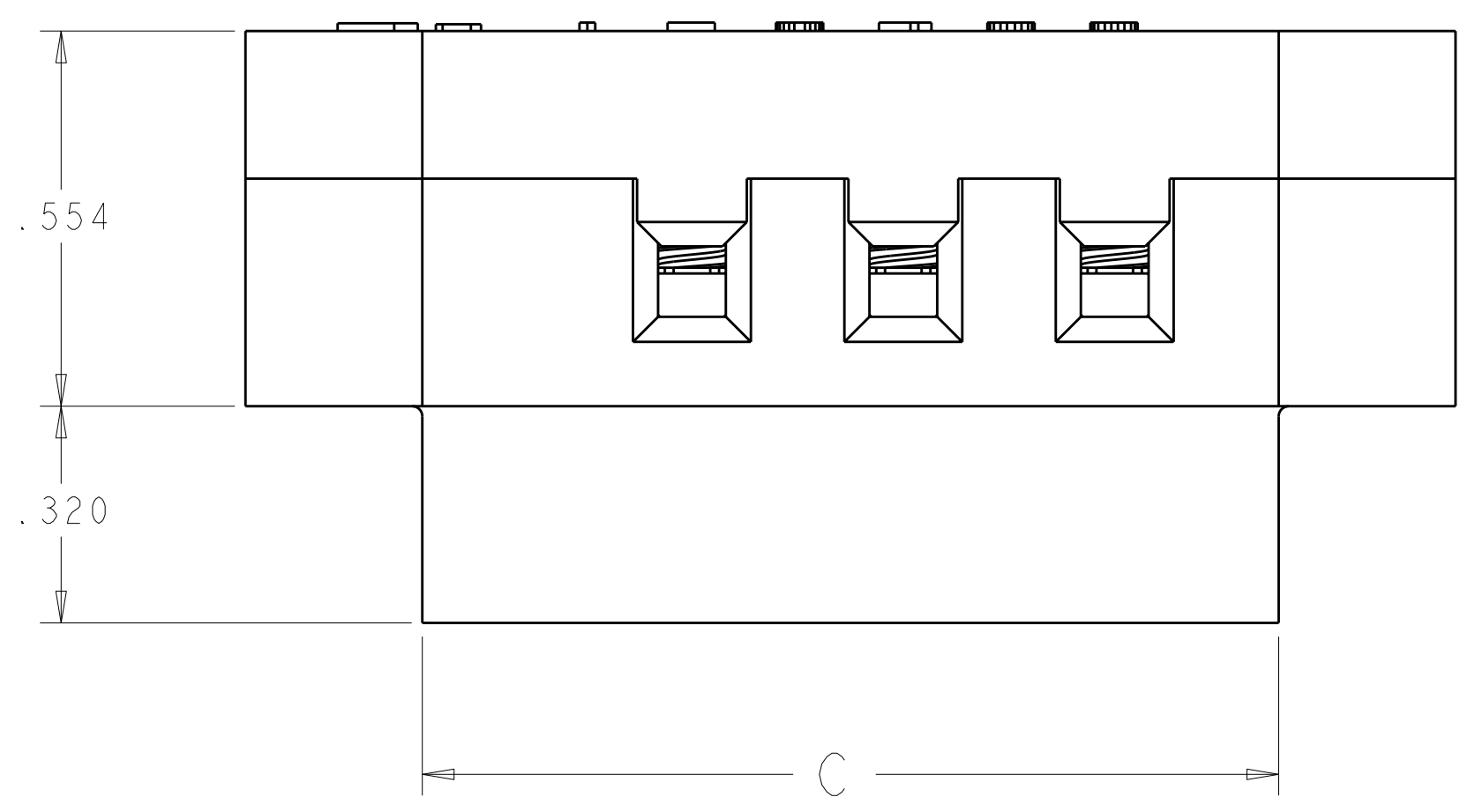


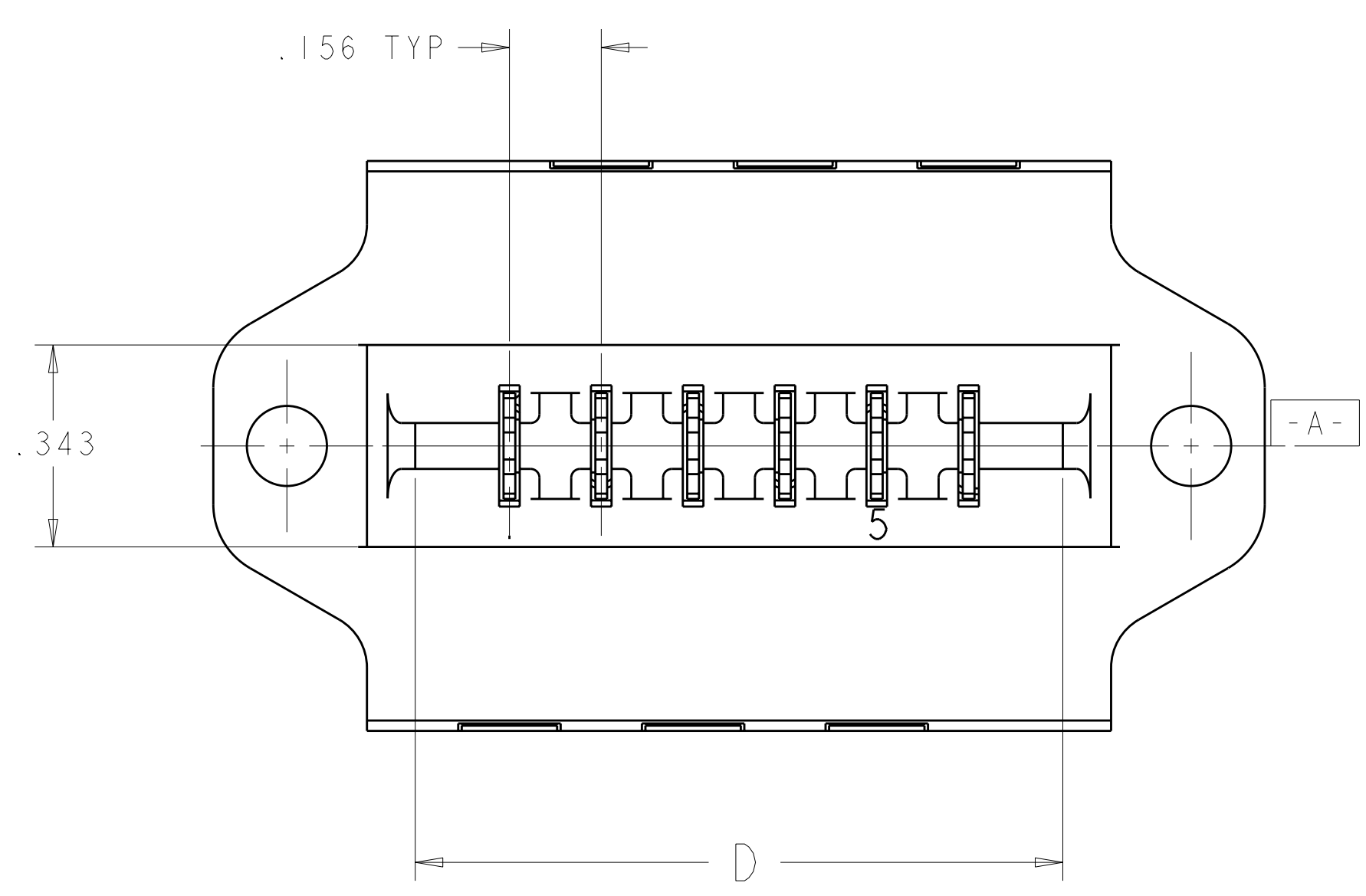
LOC	DIST	REV	DATE	BY	CHKD	APVD
FT	0	P2	01DEC2011	KH	MS	



- △ PHYSICAL PROPERTIES:  
 HOUSING BASE - POLYESTER, COLOR: BLACK.  
 COVER - POLYESTER, COLOR: BLACK  
 CONTACT - PHOSPHOR BRONZE, GOLD PLATED  
 TUBULAR CLAMP ASSY:  
 TUBULAR CONTACT - BRASS, UNPLATED  
 #6-32 SCREW - STEEL, ZINC PLATED CLEAR CHROMATE  
 CUP CLAMP - BRASS, UNPLATED
2. MECHANICAL PROPERTIES:  
 OPERATING TEMPERATURE RANGE: -65°C TO +140°C.  
 RECOMMENDED TIGHTENING TORQUE: 5-8 IN-LBS.
3. ELECTRICAL PROPERTIES:  
 MAXIMUM CURRENT: 10A  
 OPERATING VOLTAGE: 250V  
 WIRE RANGE: #12 STRANDED ONLY



RECOMMENDED PANEL CUTOUT



OBSOLETE

PCB2B43A	7.056	6.872	7.036	7.308	7.558	43	8-1437410-4
PCB2B36A	5.964	5.780	5.944	6.216	6.466	36	8-1437410-2
PCB2B30A	5.028	4.844	5.008	5.280	5.530	30	8-1437410-0
PCB2B28A	4.716	4.532	4.696	4.968	5.218	28	7-1437410-8
PCB2B24A	4.092	3.908	4.072	4.344	4.594	24	7-1437410-7
PCB2B22A	3.780	3.596	3.760	4.032	4.282	22	7-1437410-5
PCB2B18A	3.156	2.972	3.136	3.408	3.658	18	7-1437410-3
PCB2B16A	2.844	2.660	2.824	3.096	3.346	16	7-1437410-1
PCB2B15A	2.688	2.504	2.668	2.940	3.190	15	6-1437410-9
PCB2B12A	2.220	2.036	2.200	2.472	2.722	12	6-1437410-7
PCB2B10A	1.908	1.724	1.888	2.160	2.410	10	6-1437410-5
PCB2B09A	1.752	1.568	1.732	2.004	2.254	9	-
PCB2B08A	1.596	1.412	1.576	1.848	2.098	8	6-1437410-2
PCB2B06A	1.284	1.100	1.264	1.536	1.786	6	5-1437410-9
CATALOG NUMBER	E	D	C	B	A	NO OF POSN	PART NUMBER

THIS DRAWING IS A CONTROLLED DOCUMENT.

DIMENSIONS: INCHES  
 TOLERANCES UNLESS OTHERWISE SPECIFIED:  
 9 PLC ±.1  
 1 PLC ±0.1  
 2 PLC ±0.02  
 3 PLC ±0.005  
 4 PLC ±0.0005  
 ANGLES ±.1  
 FINISH: △

DWN: S. WELDON 08OCT2003  
 CHK: S. YODER 08OCT2003  
 APVD: S. YODER 08OCT2003  
 NAME: S. YODER 08OCT2003  
 PRODUCT SPEC: -  
 APPLICATION SPEC: -  
 WEIGHT: -  
 CUSTOMER DRAWING

**STE** TE Connectivity  
 CONNECTOR ASSEMBLY, CARD EDGE, PCB2BXXA  
 SIZE: A100779 CAGE CODE: C-5-1437410-9  
 SCALE: 4:1 SHEET 1 OF 1 REV P2