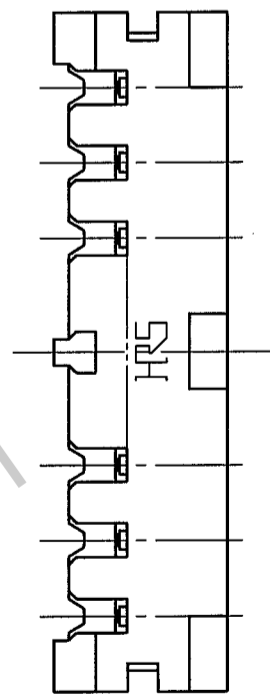
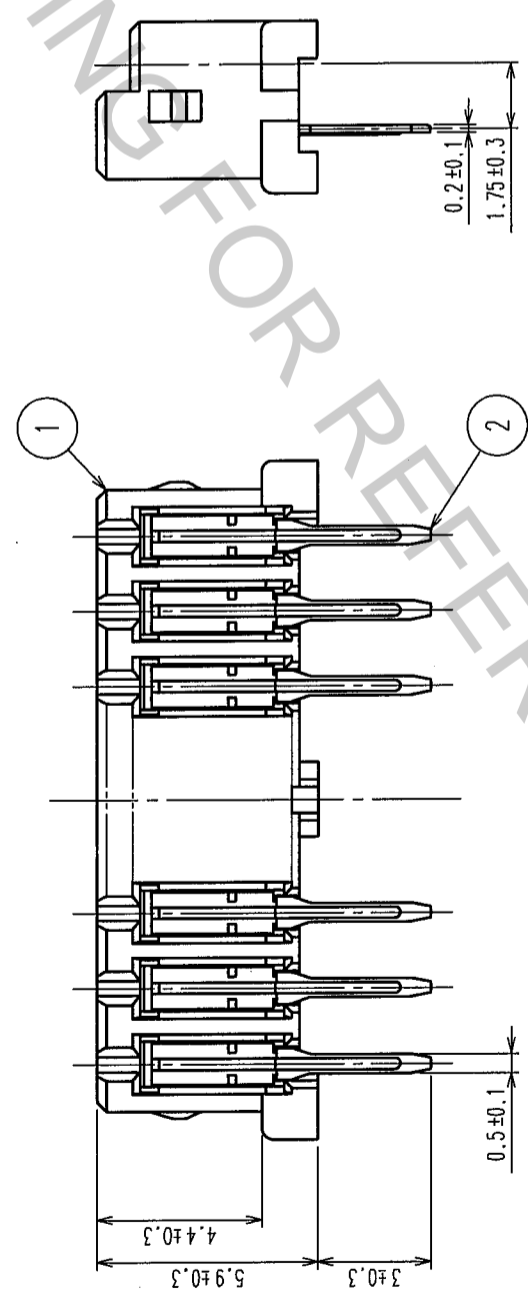
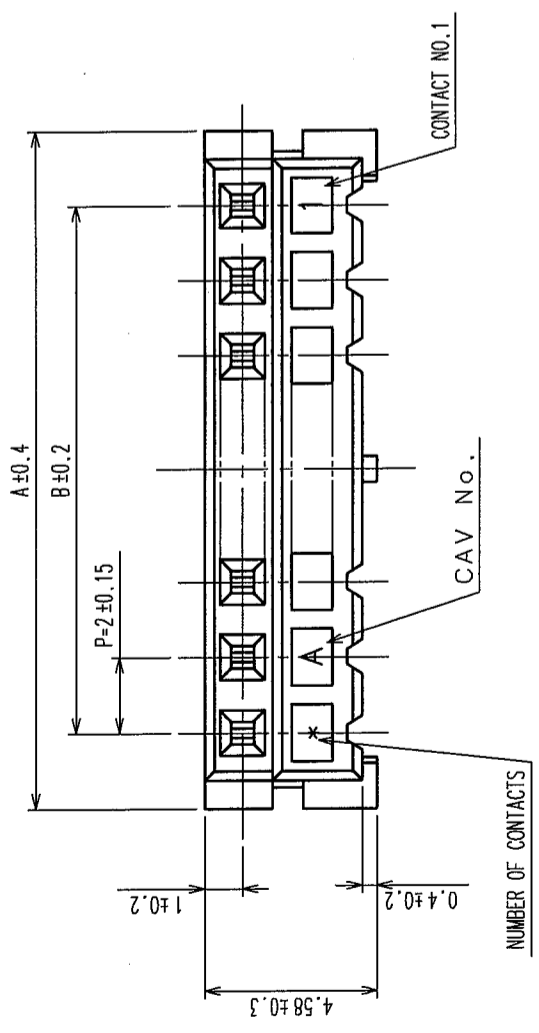
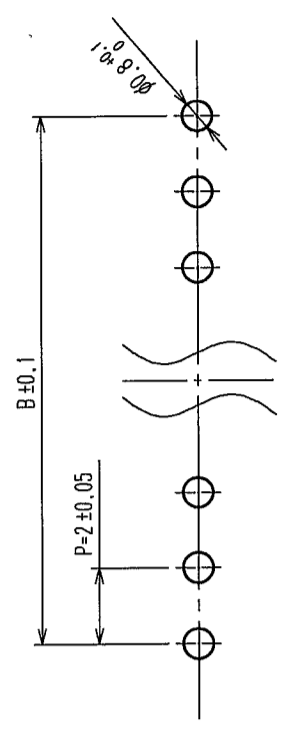


COUNT	DESCRIPTION OF REVISIONS	BY	CHKD	DATE	COUNT	DESCRIPTION OF REVISIONS	BY	CHKD	DATE
△					△				
△					△				
△					△				



RECOMMENDED PATTERN



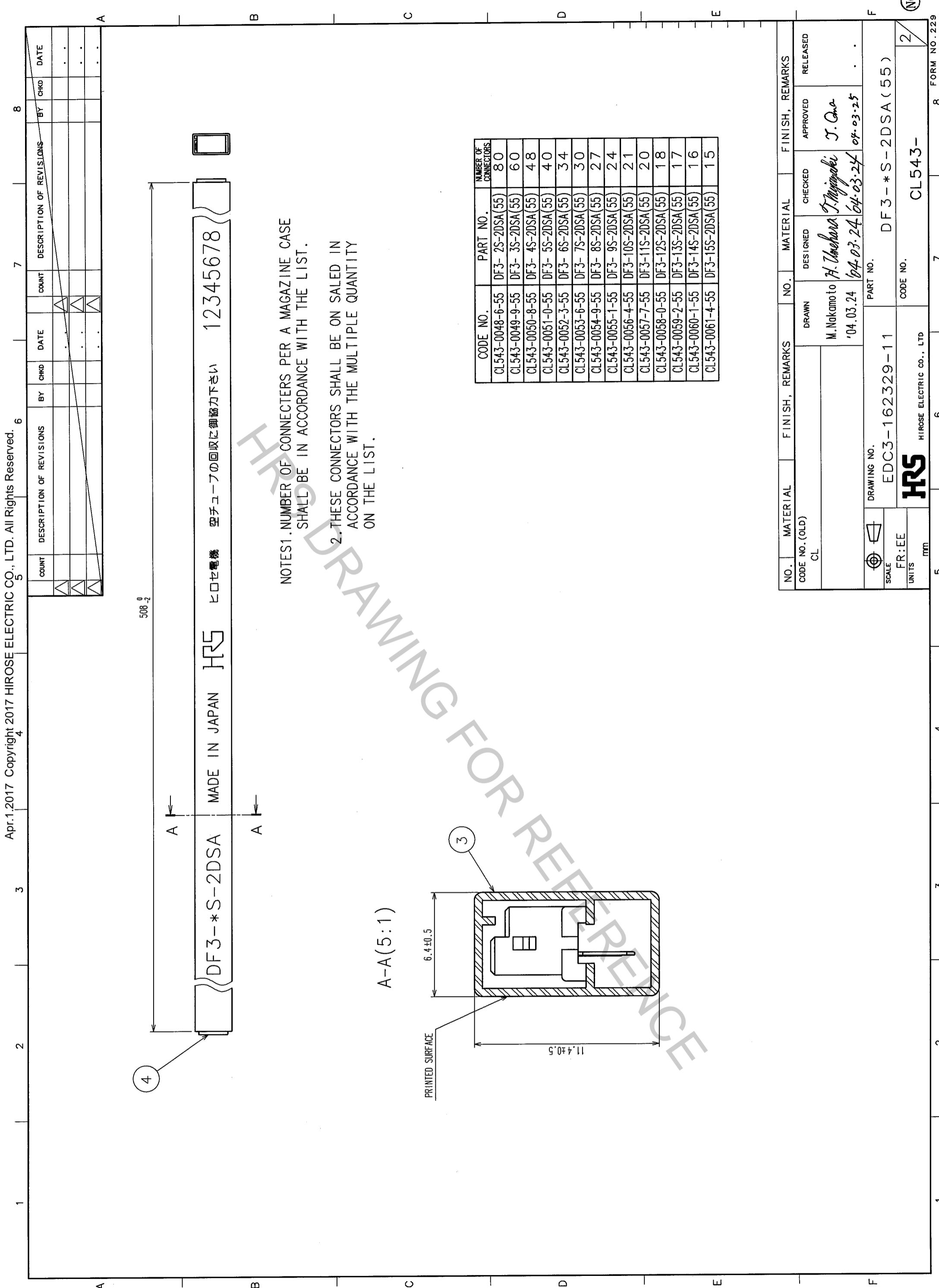
CODE NO.	PART NO.	NUMBER OF CONTACT	A	B
CL543-0048-6-55	DF3-2S-2DSA(55)	2	6.0	2.0
CL543-0049-9-55	DF3-3S-2DSA(55)	3	8.0	4.0
CL543-0050-8-55	DF3-4S-2DSA(55)	4	10.0	6.0
CL543-0051-0-55	DF3-5S-2DSA(55)	5	12.0	8.0
CL543-0052-3-55	DF3-6S-2DSA(55)	6	14.0	10.0
CL543-0053-6-55	DF3-7S-2DSA(55)	7	16.0	12.0
CL543-0054-9-55	DF3-8S-2DSA(55)	8	18.0	14.0
CL543-0055-1-55	DF3-9S-2DSA(55)	9	20.0	16.0
CL543-0056-4-55	DF3-10S-2DSA(55)	10	22.0	18.0
CL543-0057-7-55	DF3-11S-2DSA(55)	11	24.0	20.0
CL543-0058-0-55	DF3-12S-2DSA(55)	12	26.0	22.0
CL543-0059-2-55	DF3-13S-2DSA(55)	13	28.0	24.0
CL543-0060-1-55	DF3-14S-2DSA(55)	14	30.0	26.0
CL543-0061-4-55	DF3-15S-2DSA(55)	15	32.0	28.0

2	PHOSPHOR BRONZE	CONTACT AREA: GOLD PLATED 0.2μm min LEAD AREA: TIN PLATED 1μm min UNDER PLATING: NICKEL PLATED 1μm min	STOPPER
1	POLYAMIDE	UL94V-0 (BLACK)	ELECTROSTATIC PROTECTION, CLEAR

NO.	MATERIAL	FINISH, REMARKS	NO.	MATERIAL	FINISH, REMARKS
4	S. PVC		3	RIGID POLYVINYLCHLORIDE	

CODE NO. (OLD)	CL	DRAWN	M. Nakamoto	DESIGNED	H. Imehara	CHECKED	J. Miyajima	APPROVED	J. Oka	RELEASED	
SCALE	5 : 1	DRAWING NO.	EDC3-162329-11	DATE	'04.03.24	DATE	'04.03.24	DATE	'04.03.25	DATE	
UNITS	mm	PART NO.	DF3-S-2DSA(55)	CODE NO.	CL543-						

TO	
----	--



508-2

12345678

空コンピュータの回収に御協力下さい

HRS

MADE IN JAPAN

DF3-\*S-2DSA

NOTES 1. NUMBER OF CONNECTORS PER A MAGAZINE CASE SHALL BE IN ACCORDANCE WITH THE LIST.  
 2. THESE CONNECTORS SHALL BE ON SALED IN ACCORDANCE WITH THE MULTIPLE QUANTITY ON THE LIST.

CODE NO.	PART NO.	NUMBER OF CONNECTORS
CL543-0048-6-55	DF3-2S-2DSA(55)	80
CL543-0049-9-55	DF3-3S-2DSA(55)	60
CL543-0050-8-55	DF3-4S-2DSA(55)	48
CL543-0051-0-55	DF3-5S-2DSA(55)	40
CL543-0052-3-55	DF3-6S-2DSA(55)	34
CL543-0053-6-55	DF3-7S-2DSA(55)	30
CL543-0054-9-55	DF3-8S-2DSA(55)	27
CL543-0055-1-55	DF3-9S-2DSA(55)	24
CL543-0056-4-55	DF3-10S-2DSA(55)	21
CL543-0057-7-55	DF3-11S-2DSA(55)	20
CL543-0058-0-55	DF3-12S-2DSA(55)	18
CL543-0059-2-55	DF3-13S-2DSA(55)	17
CL543-0060-1-55	DF3-14S-2DSA(55)	16
CL543-0061-4-55	DF3-15S-2DSA(55)	15

COUNT	DESCRIPTION OF REVISIONS	BY	CHKD	DATE	COUNT	DESCRIPTION OF REVISIONS	BY	CHKD	DATE
△									
△									
△									

NO.	MATERIAL	FINISH, REMARKS	NO.	MATERIAL	FINISH, REMARKS
CODE NO. (OLD) CL			DRAWN M. Nakamoto	DESIGNED H. Uehara	CHECKED J. Nagasaki
			'04.03.24	'04.03.24	'04.03.25
DRAWING NO. EDC3-162329-11			PART NO. DF3-*S-2DSA(55)		
SCALE FR:EE			CODE NO. CL543-		
UNITS mm					

TO