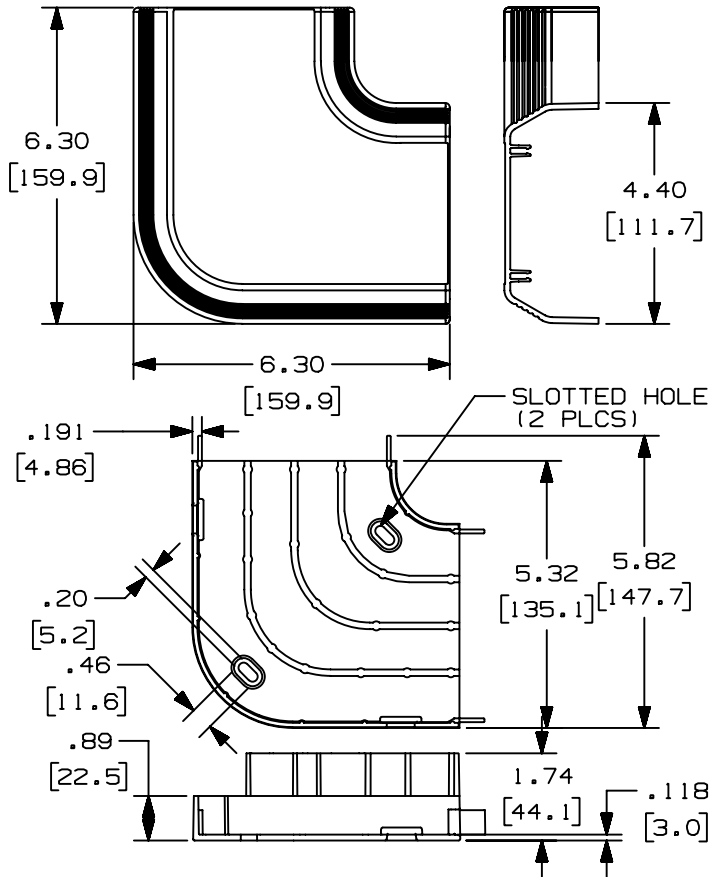


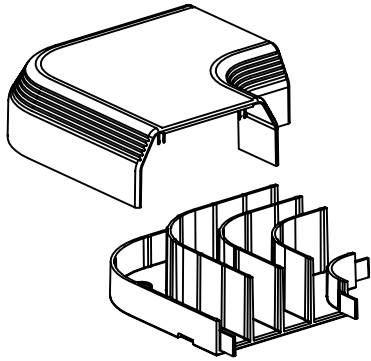
THIS COPY IS PROVIDED ON A RESTRICTED BASIS AND IS NOT TO BE USED IN ANY WAY DETRIMENTAL TO THE INTERESTS OF PANDUIT CORP.



PANDUIT P/N	WEIGHT
T70RA	6.37 LBS/10 PCS. 2893 G/10 PCS.



- NOTES:
- SEE CURRENT CATALOG FOR ADDITIONAL PART SUFFIXES TO INDICATE COLOR AND OR PACKAGE QUANTITY.
 - THIS PRODUCT IS INTENDED TO BE USED TO JOIN SECTIONS OF RACEWAY TO MAKE HORIZONTAL 90° (RIGHT ANGLES).
 - DIMENSIONS IN PARENTHESIS ARE IN METRIC.



CAD FILENAME/LAYERS D35541BT_T70RAC_C_02.PRT

PANDUIT CORP. TINLEY PARK, ILLINOIS

T-70 RIGHT ANGLE (T70RA)
CUSTOMER DRAWING

UNLESS OTHERWISE SPECIFIED,
DIMENSIONAL TOLERANCES ARE:
(.X) ± (.XXX) ± .010(.3)
(.XX) ± .03(.8) ANGLES ±

UNLESS OTHERWISE SPECIFIED,
ALL DIMENSIONS ARE GIVEN
IN INCHES, THIRD ANGLE PROJECTION.

REV	DATE	BY	CHK	DESCRIPTION	ECN	CHK	CUST	SUP
I	06-04-99	DW	HIW	C. DWG WAS FROM TWO SHEETS; D. REV'D WEIGHT. A. REV'D TITLE NAME; B. MAT'L WAS ABS/PC.	35541-21	HIW	HIW	
R	09-19-96	JBA	CEF	RELEASED TO PRODUCTION	35541-21	CEF	CEF	

DRAWN BY JBA	MAT'L: PVC
DATE 09-19-96	
CHECKED BY CEF	

SCALE NONE	DRAWING NO. 35541-21	DWG SIZE A

