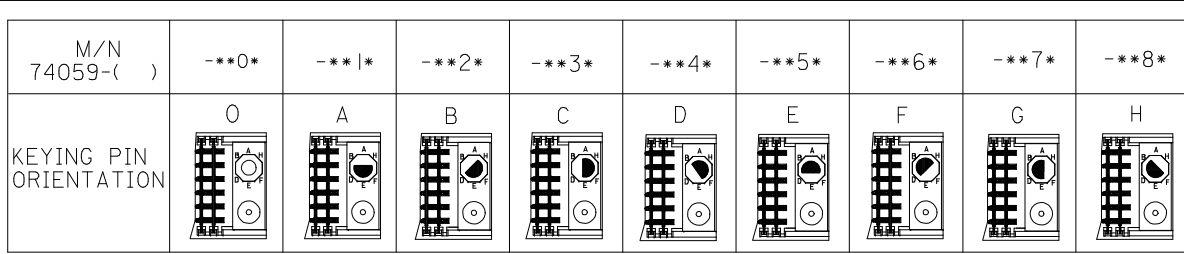


**NOTES:**

1. MATERIALS:  
HOUSING - LIQUID CRYSTAL POLYMER (LCP),  
GLASS-FILLED, UL 94V-0, COLOR: BLACK  
SIGNAL PIN & SHIELD - COPPER ALLOY
2. FINISHES:  
CONTACT AREA: SELECTIVE GOLD (Au)  
PCB TAILS: SELECTIVE MATTE TIN (Sn)  
NICKEL (Ni) OVERALL.
3. THIS PART CONFORMS TO MOLEX PRODUCT SPECIFICATION PS-74031-999
4. FOR MIXED CONTACT LENGTHS CONSULT MOLEX FOR AVAILABILITY
5. FOR SPECIFIC MATERIAL NUMBERS & MATING INFORMATION REFER TO SHEET 2 AND 3
6. PACKAGE PER PK-74058-003
7. MARK PART WITH PART NUMBER & DATE CODE APPROXIMATELY WHERE SHOWN
8. MAPS (MOLEX ADVANCED PLATING SYSTEM).

THE PRIMARY CARTON WITH A LABEL STATING "ELV AND RoHS COMPLAINT" IS LEAD FREE. CARTONS WITHOUT THIS LABEL MAY CONTAIN LEAD.

<b>LEAD FREE CONVERSION</b> EC NO: UCP2013-0687 DRAWINGS: 2012/08/21 CHKD:MMOLFE 2012/11/24 APPR:SMILLER 2012/12/14 REVISION: 0	QUALITY SYMBOLS 	GENERAL TOLERANCES (UNLESS SPECIFIED)		DIMENSION STYLE <b>MM ONLY</b>	SCALE <b>2.5:1</b>	DESIGN UNITS <b>METRIC</b>	THIRD ANGLE PROJECTION																		
		<table border="1"> <thead> <tr> <th></th> <th>mm</th> <th>INCH</th> </tr> </thead> <tbody> <tr> <td>4 PLACES</td> <td>± 0.10</td> <td>± 0.004</td> </tr> <tr> <td>3 PLACES</td> <td>± 0.15</td> <td>± 0.005</td> </tr> <tr> <td>2 PLACES</td> <td>± 0.20</td> <td>± 0.008</td> </tr> <tr> <td>1 PLACE</td> <td>± 0.25</td> <td>± 0.010</td> </tr> <tr> <td>0 PLACE</td> <td>± 0.30</td> <td>± 0.012</td> </tr> </tbody> </table>		mm	INCH	4 PLACES	± 0.10	± 0.004	3 PLACES	± 0.15	± 0.005	2 PLACES	± 0.20	± 0.008	1 PLACE	± 0.25	± 0.010	0 PLACE	± 0.30	± 0.012	DRAWN BY JMELTON	DATE 2010/05/20	TITLE <b>VHDM 6 ROW SHIELD END BACKPLANE SALES DRAWING</b>		
			mm	INCH																					
		4 PLACES	± 0.10	± 0.004																					
3 PLACES	± 0.15	± 0.005																							
2 PLACES	± 0.20	± 0.008																							
1 PLACE	± 0.25	± 0.010																							
0 PLACE	± 0.30	± 0.012																							
APPROVED BY SMILLER	DATE 2010/07/14	<b>molex</b>																							
ANGULAR ±1/2°		DRAFT WHERE APPLICABLE MUST REMAIN WITHIN DIMENSIONS		MATERIAL NO. <b>SEE SHT 2</b>	DOCUMENT NO. <b>SD-74059-002</b>	SHEET NO. <b>1 OF 2</b>																			

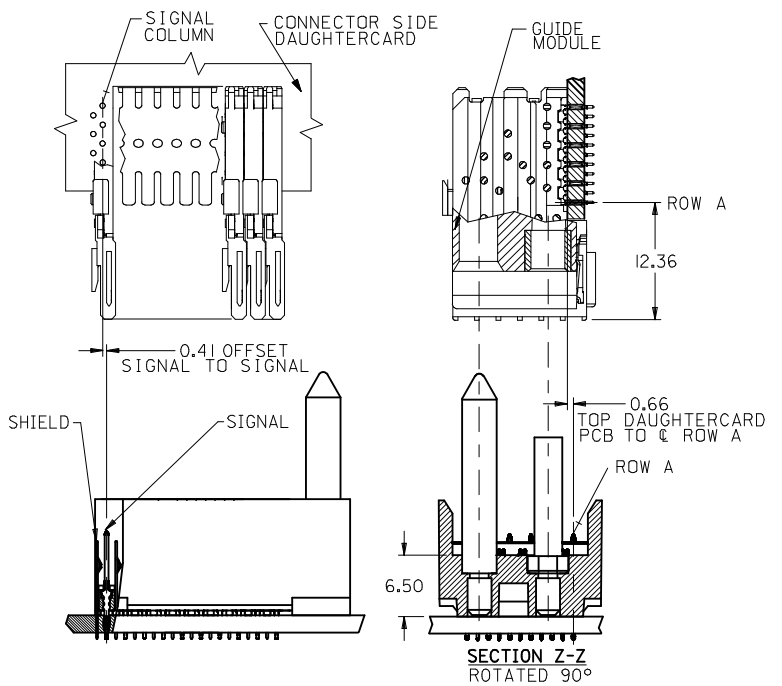


74059 - \* \* \* \*

NUMBER OF COLUMNS/PLATING

- 10 = 10 COLUMN MATTE TIN (FORMERLY TIN/LEAD)
- 21 = 11 COLUMN MATTE TIN (FORMERLY TIN/LEAD)
- 25 = 25 COLUMN MATTE TIN (FORMERLY TIN/LEAD)
- 60 = 10 COLUMN MATTE TIN (MAPS)
- 71 = 11 COLUMN MATTE TIN (MAPS)
- 75 = 25 COLUMN MATTE TIN (MAPS)
- 90 = 10 COLUMN MATTE TIN
- 81 = 11 COLUMN MATTE TIN
- 85 = 25 COLUMN MATTE TIN

- CONTACT LOAD (PIN HEIGHT)
- 1 & 6 = 4.75
  - 2 & 7 = 6.25
  - 3 & 8 = 4.25
  - 4 & 9 = 5.15



PART NUMBER	COLUMN	NUMBER OF SIGNAL PIN	NUMBER OF SHIELD	A	B	M	GOLD THICKNESS MICROMETER	TIN THICKNESS MICROMETER
74059-60*1							0.25 MAPS	
74059-*0*1	10	60	10	27.00	18.00	4.75	0.76	0.76-152
74059-*0*6							1.27	
74059-75*1							0.25 MAPS	
74059-*5*1	25	150	25	57.00	48.00	6.25	0.76	
74059-*5*6							1.27	
74059-60*2	10	60	10	27.00	18.00		0.25 MAPS	
74059-*0*2						4.25	0.76	
74059-*0*7							1.27	
74059-75*2	25	150	25	57.00	48.00		0.25 MAPS	
74059-*5*2						5.15	0.76	
74059-*5*7							1.27	
74059-60*3	10	60	10	27.00	18.00		0.25 MAPS	
74059-*0*3						4.25	0.76	
74059-75*3	25	150	25	57.00	48.00		0.25 MAPS	
74059-*5*3							0.76	
74059-*5*8						5.15	1.27	
74059-60*4	10	60	10	27.00	18.00		0.25 MAPS	
74059-*0*4							0.76	
74059-*0*9						4.25	1.27	
74059-75*4	25	150	25	57.00	48.00		0.25 MAPS	
74059-*5*4							0.76	
74059-*5*9						1.27		

PART NUMBER	COLUMN	NUMBER OF SIGNAL PIN	NUMBER OF SHIELD	A	B	M	GOLD THICKNESS MICROMETER	TIN THICKNESS MICROMETER
74059-71*1							0.25 MAPS	
74059-*1*1	11	66	11	29.00	20.00	4.75	0.76	0.76-152
74059-*1*6							1.27	
74059-71*2	11	66	11	29.00	20.00		0.25 MAPS	
74059-*1*2						6.25	0.76	
74059-*1*7							1.27	
74059-71*3	11	66	11	29.00	20.00		0.25 MAPS	
74059-*1*3						4.25	0.76	
74059-*1*8							1.27	
74059-71*4	11	66	11	29.00	20.00		0.25 MAPS	
74059-*1*4						5.15	0.76	
74059-*1*9							1.27	

SEE SHEET 1 EC NO: UCP2013-0687 DRWNGES 2012/08/21 CHKD:MMWLF 2012/11/21 APPR:SMILLER 2012/12/14 REVL	QUALITY SYMBOLS 	GENERAL TOLERANCES (UNLESS SPECIFIED)		DIMENSION STYLE <b>MM ONLY</b>	SCALE <b>2.5:1</b>	DESIGN UNITS <b>METRIC</b>	THIRD ANGLE PROJECTION		
		4 PLACES ± --- ± --- 3 PLACES ± --- ± --- 2 PLACES ± 0.10 ± --- 1 PLACE ± 0.25 ± --- 0 PLACE ± ±	mm INCH	DRAWN BY JMELTON	DATE 2010/05/20	TITLE <b>VHM 6 ROW SHIELD END BACKPLANE SALES DRAWING</b>			
		ANGULAR ±1/2°		APPROVED BY SMILLER	DATE 2010/07/14	<b>molex</b>			
		DRAFT WHERE APPLICABLE MUST REMAIN WITHIN DIMENSIONS		MATERIAL NO. <b>SEE TABLE</b>	DOCUMENT NO. <b>SD-74059-002</b>	SHEET NO. <b>2 OF 2</b>			

THIS DRAWING CONTAINS INFORMATION THAT IS PROPRIETARY TO MOLEX INCORPORATED AND SHOULD NOT BE USED WITHOUT WRITTEN PERMISSION