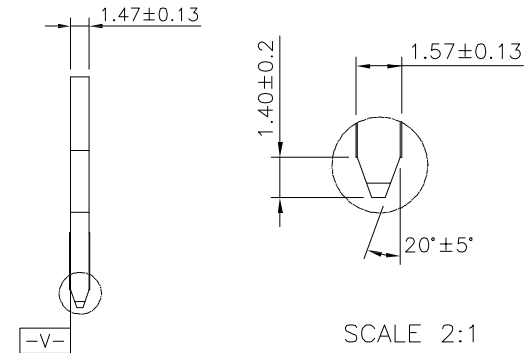
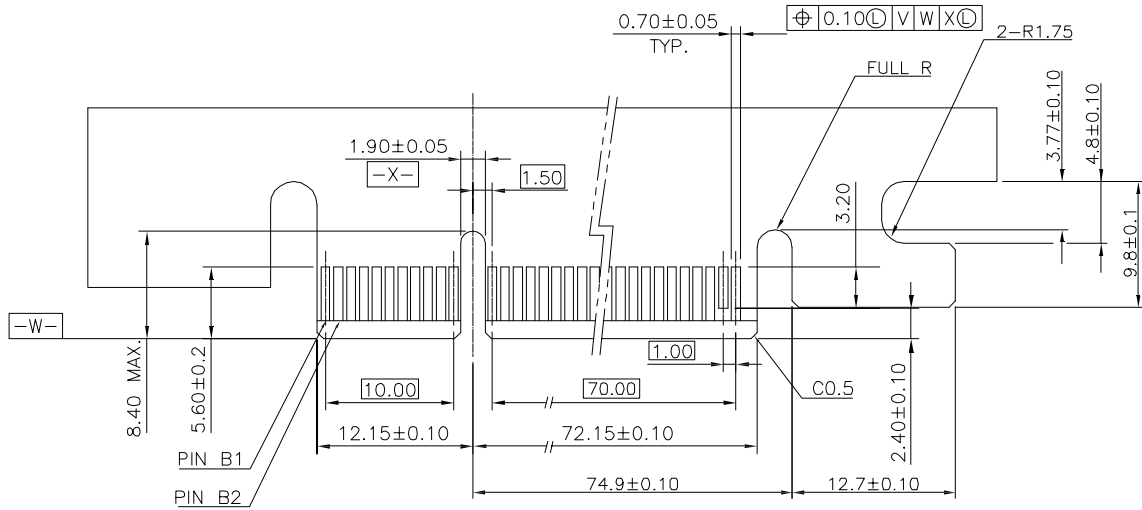


PART NUMBER	DIM.A
10085429-XXX13TLF	3.10
10085429-XXX23TLF	2.30

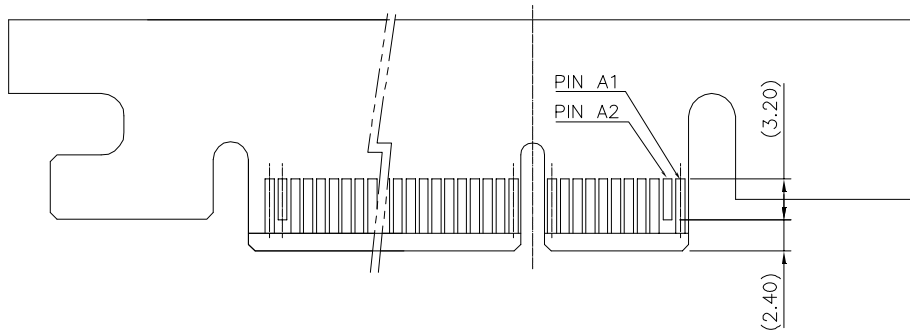
mat'l. code		tolerances unless otherwise specified		CUSTOMER COPY	 www.fciconnect.com
ltr	ecn no	dr	date	projection	
A	T08-1030	J.H	2/25/08	 MM	title PCI-E INTEGRATED R-TYPE GEN3 CARD EDGE ASS'Y
B	ELX-DG-2161-1	ST	05/27/16		
				scale	code
				1:1	TWN
				A4	sheet
				10085429	1 of 3
sheet index	revision sheet	B 1	B 2	B 3	

cage code
22526

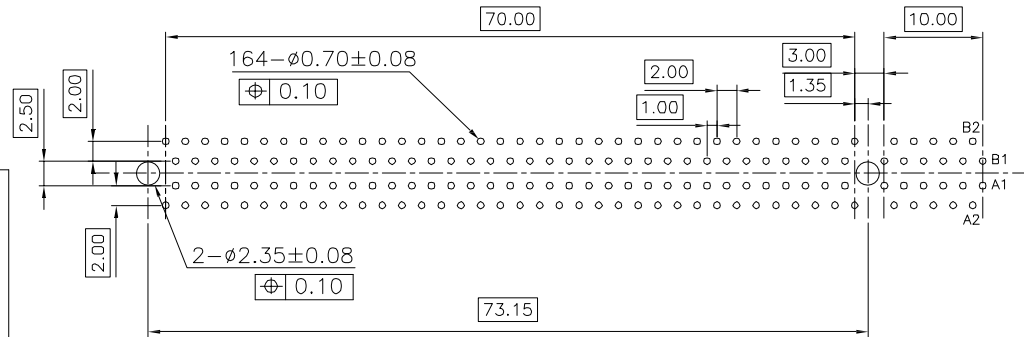


ADD-IN CARD EDGE-FINGER DIMENSIONS

I/O PANEL DIRECTION
PRIMARY (COMPONENT) SIDE



I/O PANEL DIRECTION
SECONDARY (SOLDER) SIDE



RECOMMENDED FOOTPRINT LAYOUT



mat'l. code				tolerances unless otherwise specified		CUSTOMER COPY	 www.fciconnect.com
ltr	ecn no	dr	date	linear	.X ± 0.38 .XX ± 0.25 .XXX ± 0.10	projection	
				angles	0° ±2°	 MM	PCI-E INTEGRATED R-TYPE GEN3 CARD EDGE ASS'Y
				dr	STONE LI 05/27/15		product family
				enr	STONE LI 05/27/15	size	dwg no
				chr	/	scale	1:1
				appd	PM ZHENG 05/27/15	A4	10085429
sheet index	revision sheet						code TWN
							sheet 2 of 3

NOTES:

1.MATERIAL:

HOUSING: THERMOPLASTIC WITH GLASS FIBER, UL94V-0,
LATCHS: THERMOPLASTIC WITHOUT GLASS FIBER, UL94-HB (PA66).
CONTACTS: COPPER ALLOY.

2.FINISH:

CONTACTS: GOLD PLATING ON CONTACT AREA,
60u" MATTE TIN (LEAD FREE OPTION) PLATING ON SOLDER TAILS,
50u" MIN. NICKEL UNDERPLATING OVER ALL.

3. WARNING: THE MAXIMUM ALLOWABLE ANGLE TO WITHDRAWAL THE DAUGHTER CARD FROM RETAINER
BY 25 DEGREE.

4. DURABILITY: 50 CYCLES.

5. RoHS COMPATIBLE PRODUCT SPECIFICATIONS

- a. PLATING: "LF" MEANS THE PRODUCT IS LEAD FREE, 1.5um min. MATTE PURE TIN OVER 1.27um MIN. NICKEL UNDERPLATE.
- b. MANUFACTURING PROCESS COMPATIBILITY: THE HOUSING WILL WITHSTAND EXPOSURE TO 260C±5C° SOLDER BATH TEMPERATURE FOR 5 SECONDS IN A WAVE SOLDER APPLICATION WITH A 1.57MM THICK CIRCUIT BOARD.

PRODUCT NUMBER CODE

10085429 -x x x x x x LF



HOUSING COLOR OPTIONS

- 1-BLACK FOR BASE & RM
- 4-BLUE (297C) FOR BASE & RM
- 5-ORANGE (165C) FOR BASE & WHITE RM
- 6-BLACK FOR BASE & BLUE (287C) FOR RM

PEGS OPTIONS

- 1-PLASTIC POST

TERMINAL PLATING OPTIONS

- 0-50u" Ni UNDERPLATE
30u" Au CONTACT AREA
100u" TIN TAIL AREA
- 1-50u" Ni UNDERPLATE
15u" Au CONTACT AREA
100u" TIN TAIL AREA
- 2-50u" Ni UNDERPLATE
GOLD FLASH CONTACT AREA
100u" TIN TAIL AREA

APPLICATIONS

LF- LEAD FREE FOR PLATING OPTIONS 0,1,2

PACKAGING OPTIONS

T-TRAY PACKAGING

POS OPTIONS

3-164

TAIL LENGTH OPTION (DIM.A)

- 1- 3.10MM
- 2- 2.30MM

mat'l. code				tolerances unless otherwise specified				CUSTOMER COPY					
ltr	ecn no	dr	date	linear	.X ± 0.38	projection	www.fciconnect.com						
					.XX ± 0.25		title						
				angles	.XXX ± 0.10		PCI-E INTEGRATED R-TYPE GEN3 CARD EDGE ASS'Y						
				dr	STONE LI 05/27/15	MM	product family				code		
				engr	STONE LI 05/27/15		EDGE CARD				TWN		
				chr	/ /	scale	size dwg no				sheet		
				appd	PM ZHENG 05/27/15	1:1	A4	10085429				3 of 3	
sheet index	revision sheet												