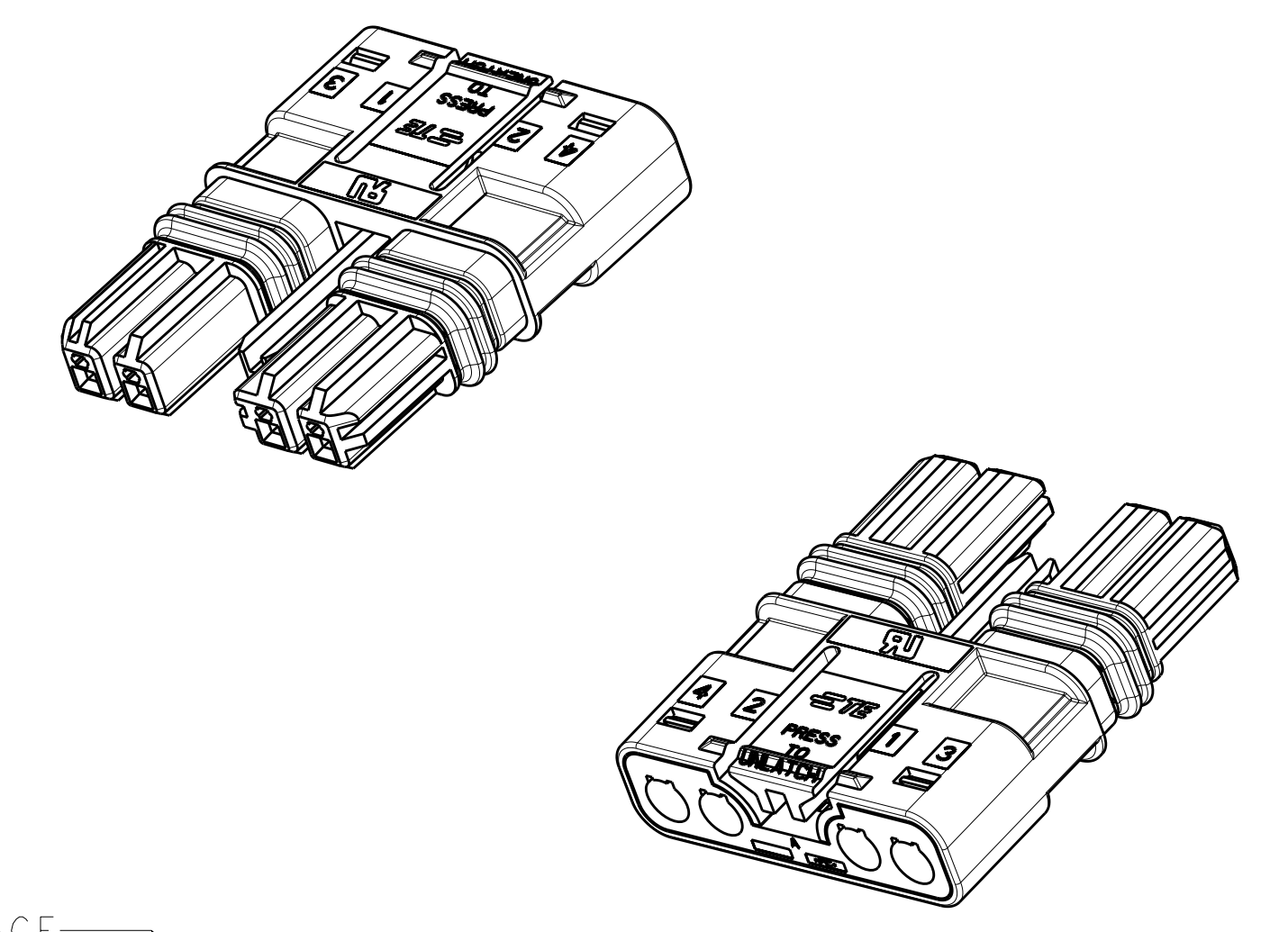
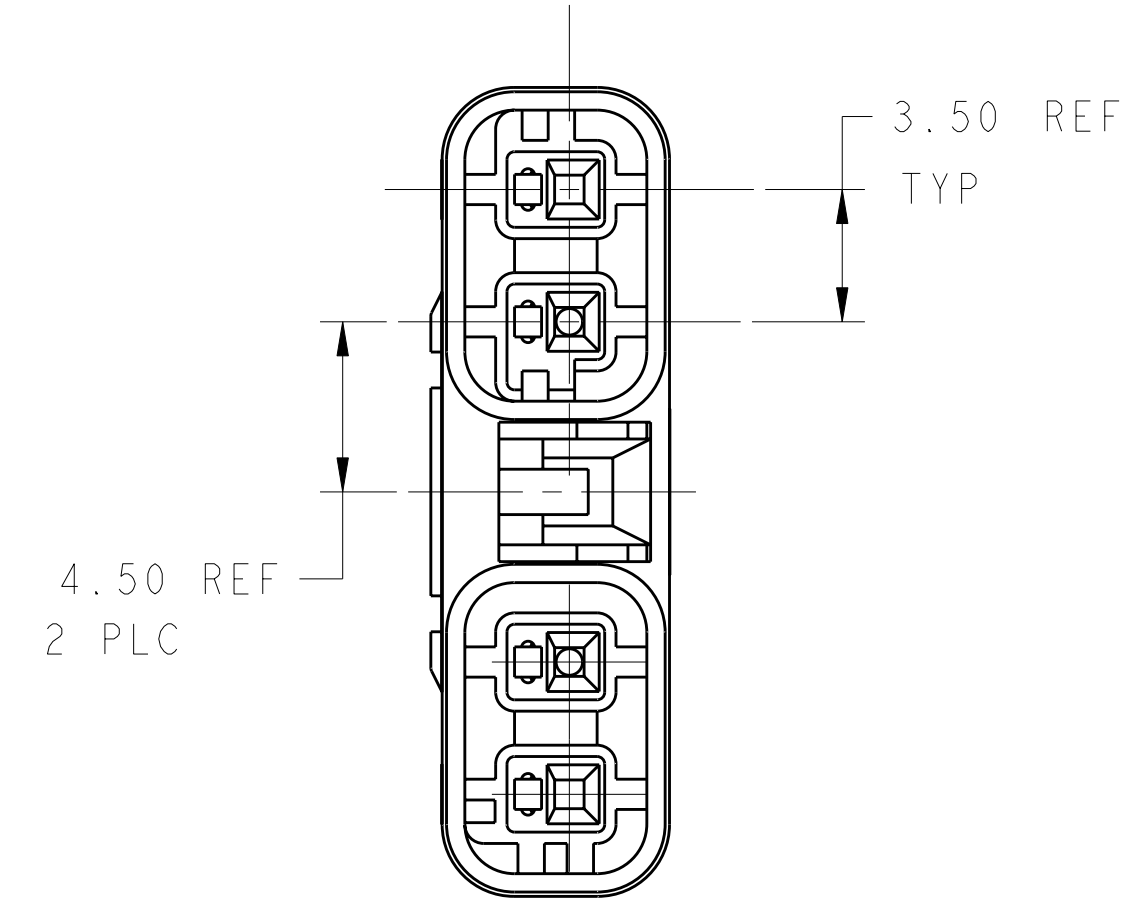
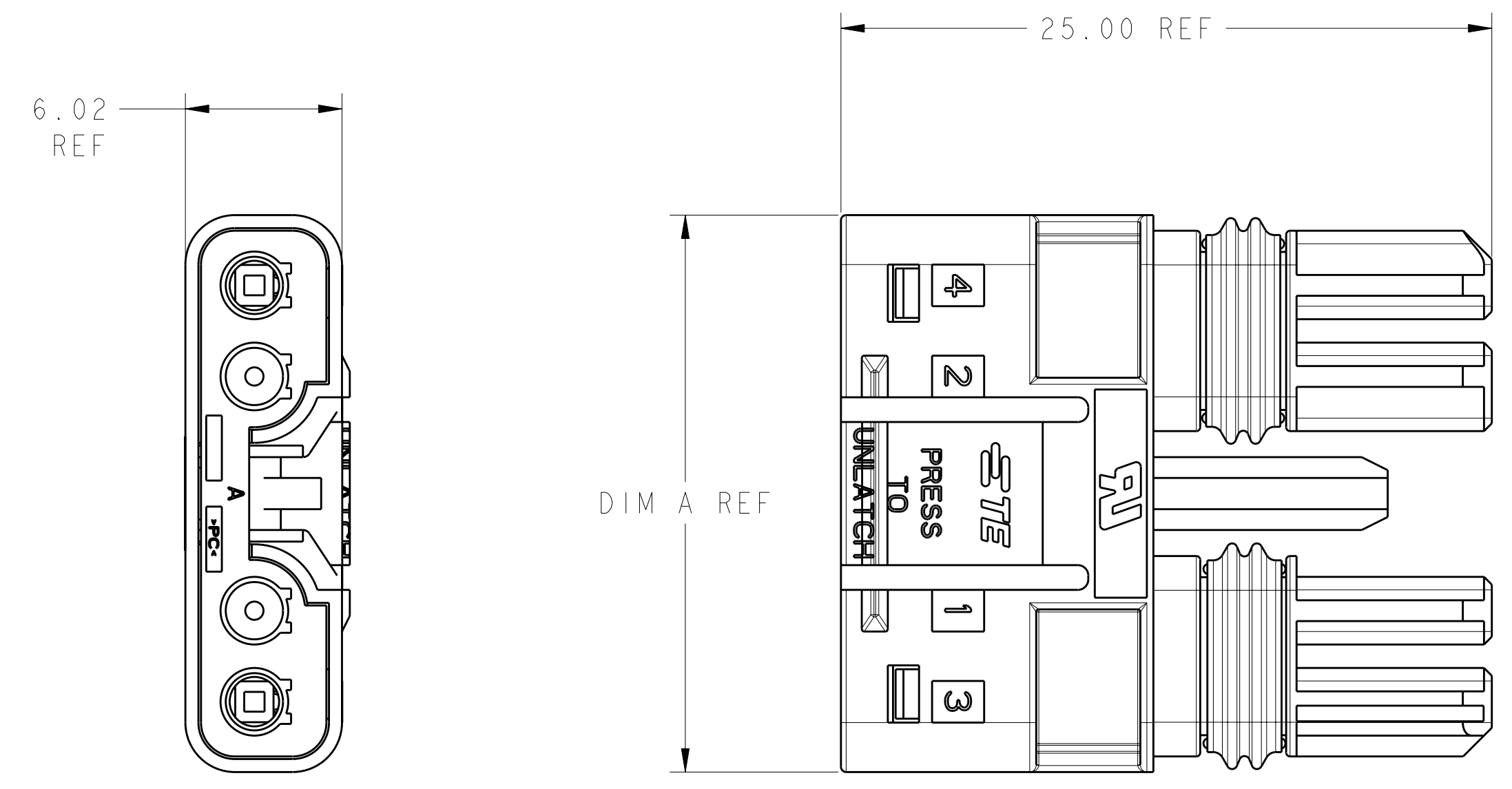
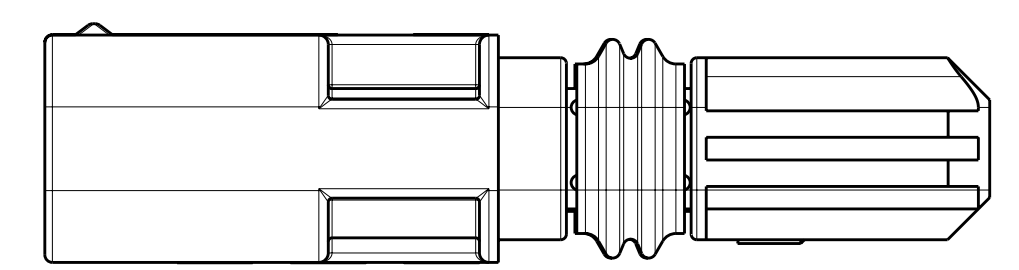
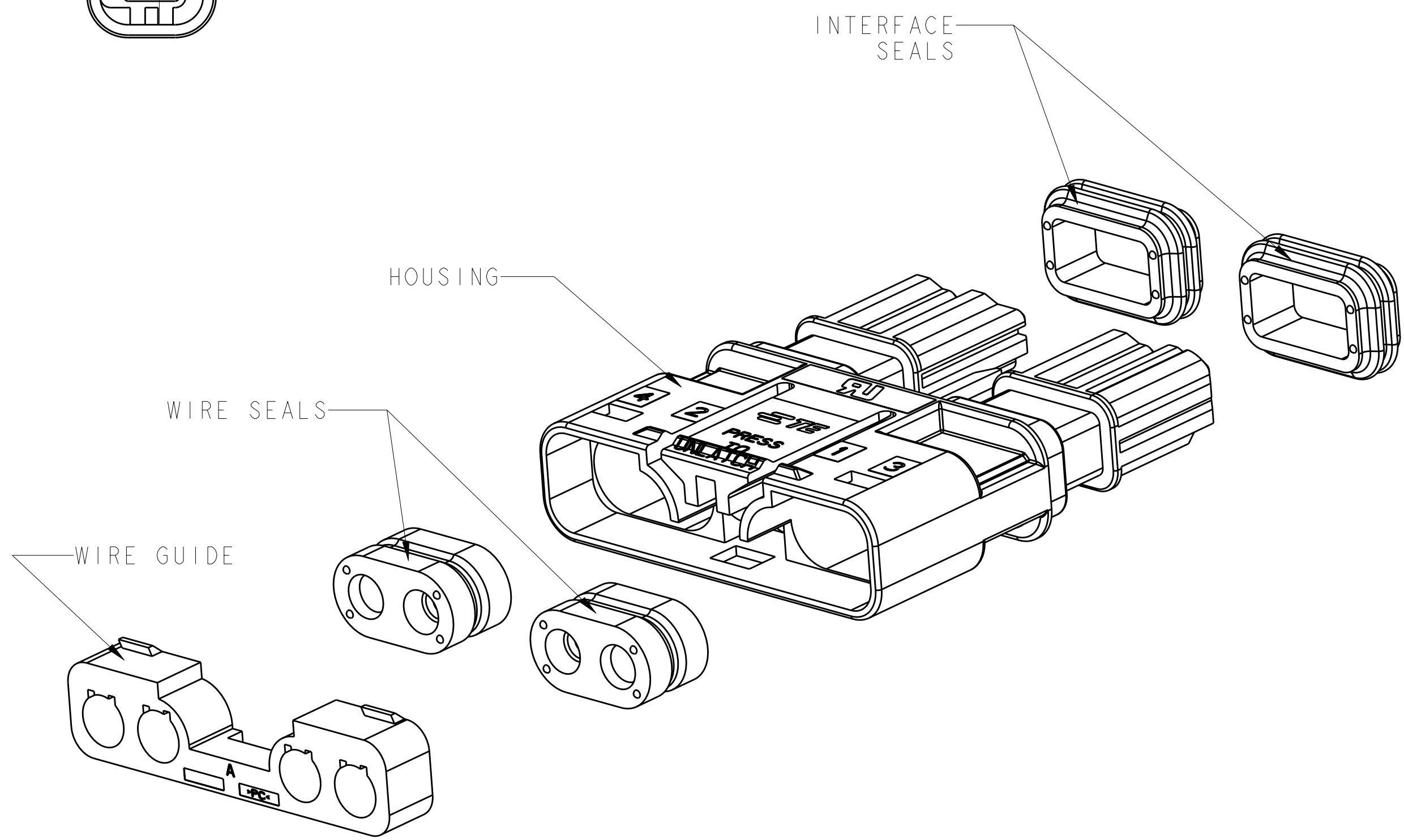


LOC	DIST	REVISIONS			
CM	00	REV	DATE	BY	APPD
		A1	11MAR2011	RK	HMR
		B	26DEC2011	HVG	DD
		B1	15MAY2012	RS	DD

- ⚠ MATERIAL: HOUSING: POLYCARBONATE, FI PER UL 746C, COLOR: BLACK  
 WIRE GUIDE: POLYCARBONATE, FI PER UL 746C, COLOR: BLACK  
 SEALS: SILICONE RUBBER, COLOR BLUE
2. THIS PART HAS NOT COMPLETED VALIDATION TESTING.  
 3. MUST COMPLY WITH DIRECTIVE 2002/95/EC (ROHS).



2106135-4  
 SCALE 3:1



2106135-4 SHOWN

21.40	4	2106135-4
17.90	3	2106135-3
14.40	2	2106135-2
DIM A REF	NO. OF POSN	PART NUMBER

DIMENSIONS:		TOLERANCES UNLESS OTHERWISE SPECIFIED:		MATERIAL:		FINISH:		APPROVALS:		CUSTOMER DRAWING	
mm	0 PLC	±	12FEB2009	DM	WM	VAN	SCIOK	12FEB2009	12FEB2009	12FEB2009	12FEB2009
	1 PLC	±0.2		CHK	A.	BUCHER		12FEB2009			
	3 PLC	±0.15		APVD	A.	BUCHER		12FEB2009			
	5 PLC	±		PRODUCT SPEC		108-2391		NAME		ASSEMBLY, PLUG, FREE HANGING SLIMSEAL SSL CONNECTOR	
	4 PLC	±		APPLICATION SPEC		114-13261		SIZE		CAGE CODE DRAWING NO RESTRICTED TO	
	ANGLES	±	±0°	WEIGHT		-		A100779		C=2106135	
	FINISH	-		SCALE		4:1		SHEET		1 OF 1	
				REV		B1					