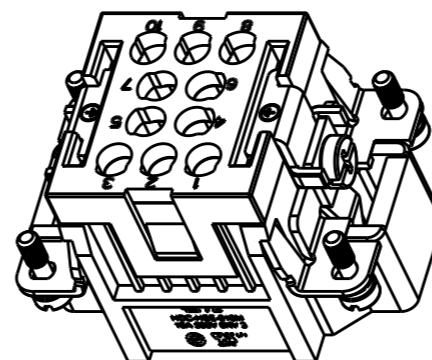
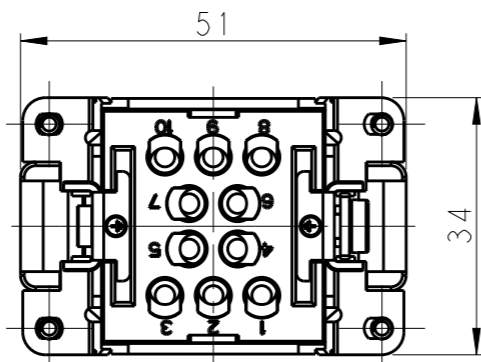


REVISIONS

P	LTR	DESCRIPTION	DATE	DWN	APVD
A		INITIAL RELEASE	09MAR2015	DL	CW
B		ECR-15-014907	14OCT2015	DL	CW
B1		ECR-16-015492	18NOV2016	QY	CW



DETAIL A
4:1



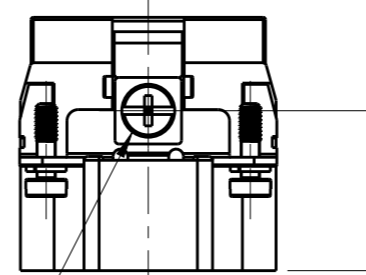
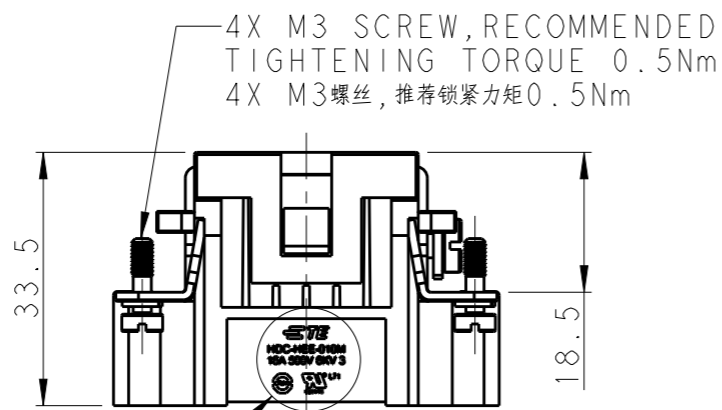
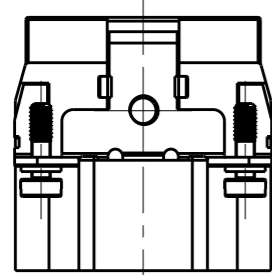
TYPE-1, T2050102101-000, TE LOGO
类型-1, T2050102101-000, TE LOGO

NOTES:

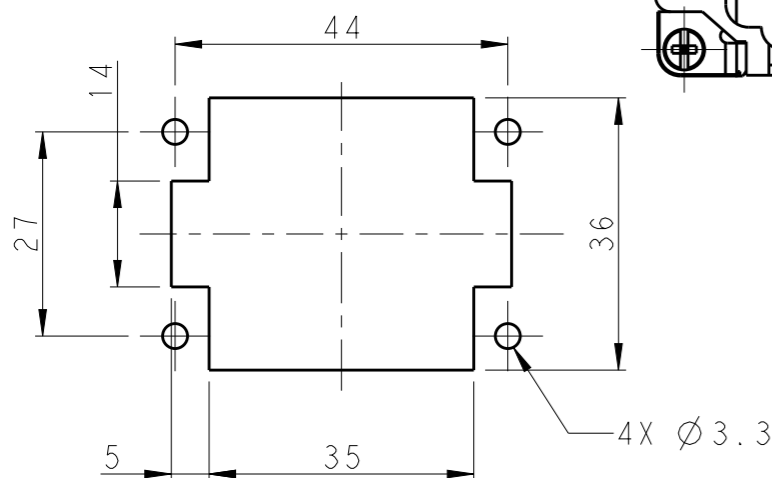
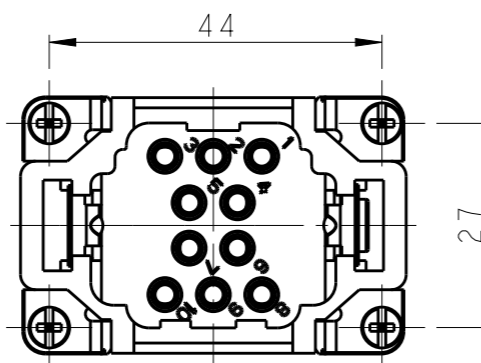
- TECHNICAL CHARACTERISTICS:
INSULATION MATERIAL: PC
RATED VOLTAGE: 500 V
RATED CURRENT: 16 A
INSULATION RESISTANCE: $\geq 400M\Omega$
RATED IMPULSE VOLTAGE: 6 KV
POLLUTION DEGREE: 3
FLAMMABILITY: UL94V-0
MATING CYCLES: 500 CYCLES
WIRE RANGE: 0.14-4 mm² (26-12 AWG)
CONTACT TYPE: CRIMP CONTACT
- CONTACT NEED TO BE ORDERED SEPARATELY.
(ORDER No. T20300X10XX-000)

注释:

- 技术参数:
绝缘材料: PC
额定电压: 500V
额定电流: 16A
绝缘电阻: $\geq 400M\Omega$
额定脉冲电压: 6 KV
污染等级: 3
阻燃等级: UL94V-0
插拔次数: 500次
接线范围: 0.14-4 mm² (26-12 AWG)
接线类型: 冷压接
- 端子需要单独订购.
(订货号 T20300X10XX-000)



DETAIL A
M4 SCREW, RECOMMENDED TIGHTENING TORQUE 1.2Nm
M4螺丝, 推荐锁紧力矩1.2Nm



PANEL CUT FOR INSERTS FOR USING WITHOUT HOODS/ HOUSINGS
不使用防护外壳时芯件的安装开孔图

THIS DRAWING IS A CONTROLLED DOCUMENT.		DWN DAVID LI 09MAR2015	TE Connectivity		NAME HEE-010-M		
DIMENSIONS: mm		CHK CHRIS WANG 09MAR2015					
TOLERANCES UNLESS OTHERWISE SPECIFIED:		APVD XU XIANG 09MAR2015					
0 PLC ±- 1 PLC ±- 2 PLC ±- 3 PLC ±- 4 PLC ±- ANGLES ±-		PRODUCT SPEC 108-106137					
MATERIAL -		FINISH -	APPLICATION SPEC 114-106137	SIZE A3	CAGE CODE -	DRAWING NO. ©-T2050102101000	RESTRICTED TO -
-		-	WEIGHT -	SCALE 1:1		SHEET 1 OF 3	REV B1
Customer Drawing							

4

3

2

1

THIS DRAWING IS UNPUBLISHED.

RELEASED FOR PUBLICATION

20

© COPYRIGHT 20

BY -

ALL RIGHTS RESERVED.

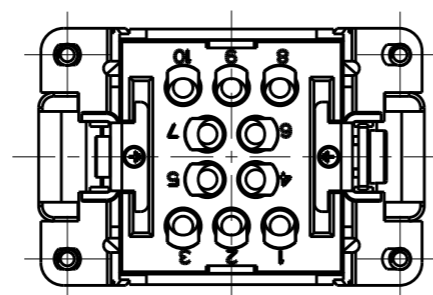
REVISIONS

P	LTR	DESCRIPTION	DATE	DWN	APVD
-		SEE SHEET 1	-	-	-

HDC-HEE-010M
16A 500V 6KV 3

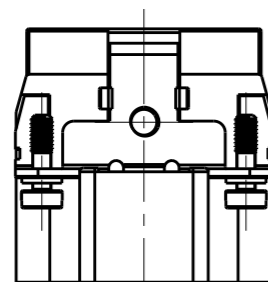
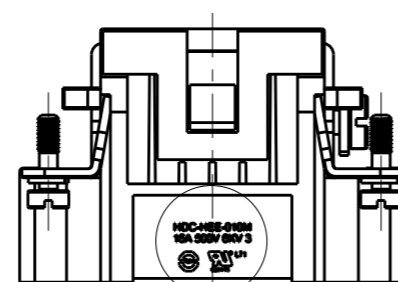
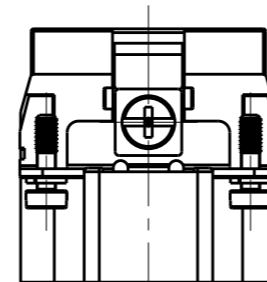
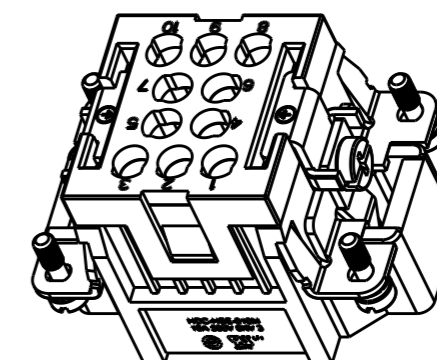

DETAIL B

4:1

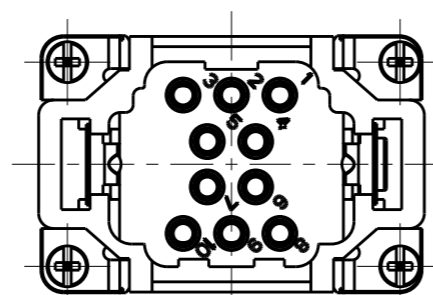


NOTE:

SEE SHEET 1

注释:
见页 1





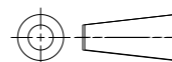
DETAIL B

TYPE-2, T2059102101-000, NO TE LOGO
类型-2, T2059102101-000, 无TE LOGO

ALL SPEC DIMENSION REFER TO TYPE 1
所有产品规格尺寸参照 TYPE 1

THIS DRAWING IS A CONTROLLED DOCUMENT.

DIMENSIONS:

mm


TOLERANCES UNLESS
OTHERWISE SPECIFIED:

0 PLC	±.0
1 PLC	±.0
2 PLC	±.0
3 PLC	±.0
4 PLC	±.0
ANGLES	±.0

MATERIAL

-

FINISH

-

DWN 09MAR2015

DAVID LI

CHK 09MAR2015

CHRIS WANG

APVD 09MAR2015

XU XIANG

PRODUCT SPEC

108-106137

APPLICATION SPEC

114-106137

WEIGHT

-

Customer Drawing



TE Connectivity

NAME

HEE-010-M

SIZE

A3

CAGE CODE

-

DRAWING NO

C-T2050102101000

RESTRICTED TO

-

SCALE

1:1

SHEET

2

OF

3

REV

B1

1470-19 (3/13)

THIS DRAWING IS UNPUBLISHED.

RELEASED FOR PUBLICATION

20

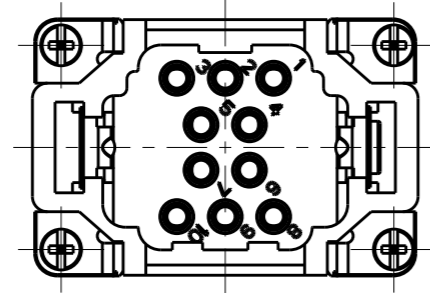
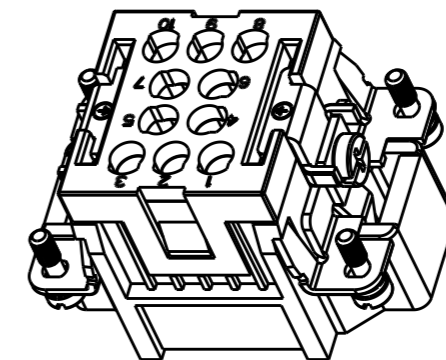
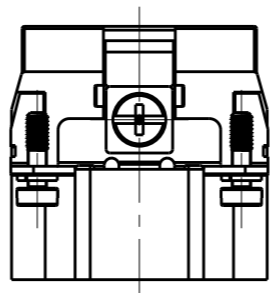
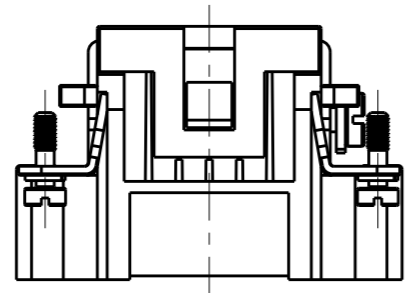
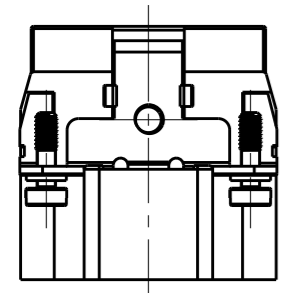
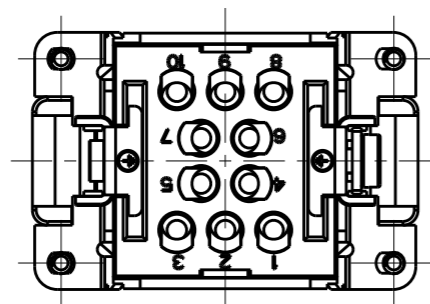
© COPYRIGHT 20 BY -

ALL RIGHTS RESERVED.

REVISIONS

P	LTR	DESCRIPTION	DATE	DWN	APVD
-	-	SEE SHEET 1	-	-	-


NOTES:
SEE SHEET 1
注释:
见页 1



TYPE-3, T2050102101-001, STAINLESS STEEL SCREW, NO LOGO
类型-3, T2050102101-001, 不锈钢螺丝, 无LOGO

ALL SPEC DIMENSION REFER TO TYPE 1
所有产品规格尺寸参照 TYPE 1

PART NUMBER 料号	PART DESCRIPTION 描述	TYPE 类型
T2050102101-001	HEE-010 MALE INSERT, STAINLESS STEEL SCREW, NO LOGO HEE-010 公插, 不锈钢螺丝, 无LOGO	TYPE-3 类型-3
T2059102101-000	HEE-010 MALE INSERT, NO TE LOGO HEE-010 公插, 无TE LOGO	TYPE-2 类型-2
T2050102101-000	HEE-010 MALE INSERT HEE-010 公插	TYPE-1 类型-1

THIS DRAWING IS A CONTROLLED DOCUMENT.		DWN 09MAR2015 DAVID LI	 TE Connectivity	
DIMENSIONS: mm		CHK 09MAR2015 CHRIS WANG		
TOLERANCES UNLESS OTHERWISE SPECIFIED:		APVD 09MAR2015 XU XIANG	PRODUCT SPEC 108-106137	
0 PLC ±- 1 PLC ±- 2 PLC ±- 3 PLC ±- 4 PLC ±- ANGLES ±-		APPLICATION SPEC 114-106137	SIZE A3	CAGE CODE -
MATERIAL -	FINISH -	WEIGHT -	DRAWING NO C-T2050102101000	RESTRICTED TO -
Customer Drawing			SCALE 1:1	SHEET 3 OF 3
			REV B1	