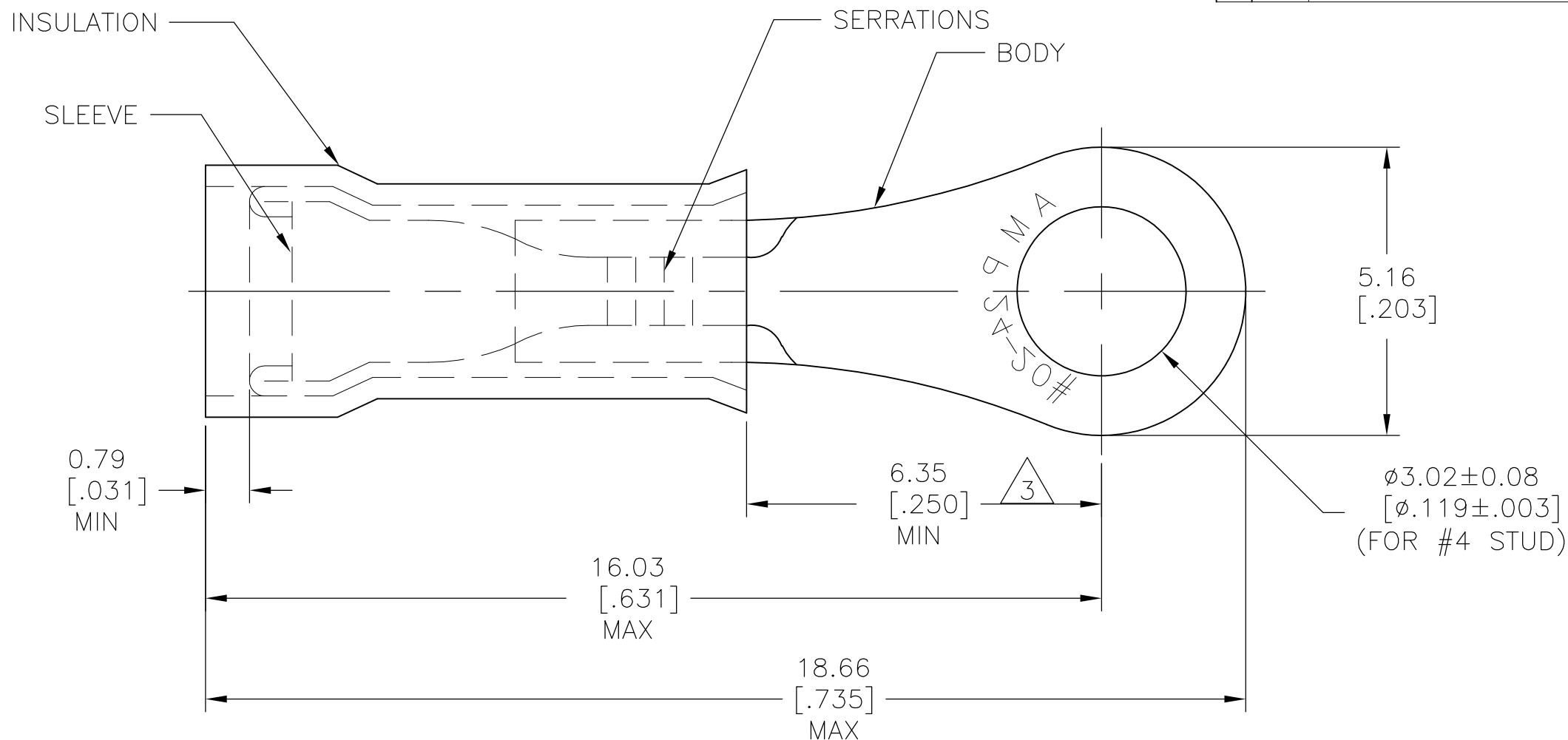


THIS DRAWING IS UNPUBLISHED. RELEASED FOR PUBLICATION
© COPYRIGHT BY TYCO ELECTRONICS CORPORATION. ALL INTERNATIONAL RIGHTS RESERVED.

LOC	DIST	REVISIONS					
G	14	P	LTR	DESCRIPTION	DATE	DWN	APVD
		A1		REVISED PER ECR-10-004379	22MAR10	HMR	JR



- 1 FOR 1.02[.040] TO 2.54[.100] WIRE INSULATION DIA
- 2 TONGUE MATERIAL THK 0.58±0.05[.023±.002]
- 3 APPLIES FROM EDGE OF METAL BARREL TO CENTERLINE OF STUD HOLE.

1	WIRE TERMINAL	BODY&SLEEVE: COPPER ASTM-B152 TIN PL ASTM-B545 INSULATION: NYLON ASTM-D4066 TYPE I COLOR: NATURAL	50534
QTY	DESCRIPTION	MATERIAL & FINISH	PART NO

THIS DRAWING IS A CONTROLLED DOCUMENT.		DWN RAGHAVENDRA 22MAR10	Tyco Electronics Corporation Harrisburg, PA 17105-3608	
DIMENSIONS: mm [INCHES]		CHK JEFF RUTH 22MAR10	NAME WIRE TERMINAL, PIDG, RING TONGUE, WIRE SIZE: 24-20	
TOLERANCES UNLESS OTHERWISE SPECIFIED:		APVD TOM MICHIELUTTI 22MAR10	PRODUCT SPEC ---	
0 PLC ± -		APPLICATION SPEC ---		
1 PLC ± -		SIZE A3		
2 PLC ± -		CAGE CODE 00779		
3 PLC ± 0.20 [.008]		DRAWING NO G-50534		
4 PLC ± -		RESTRICTED TO ---		
ANGLES ± 0° 30'		SCALE 10:1		
MATERIAL SEE TABLE	FINISH SEE TABLE	WEIGHT -		SHEET 1 OF 1
CUSTOMER DRAWING		REV A1		