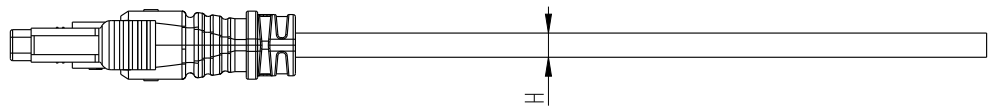
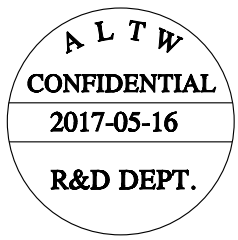
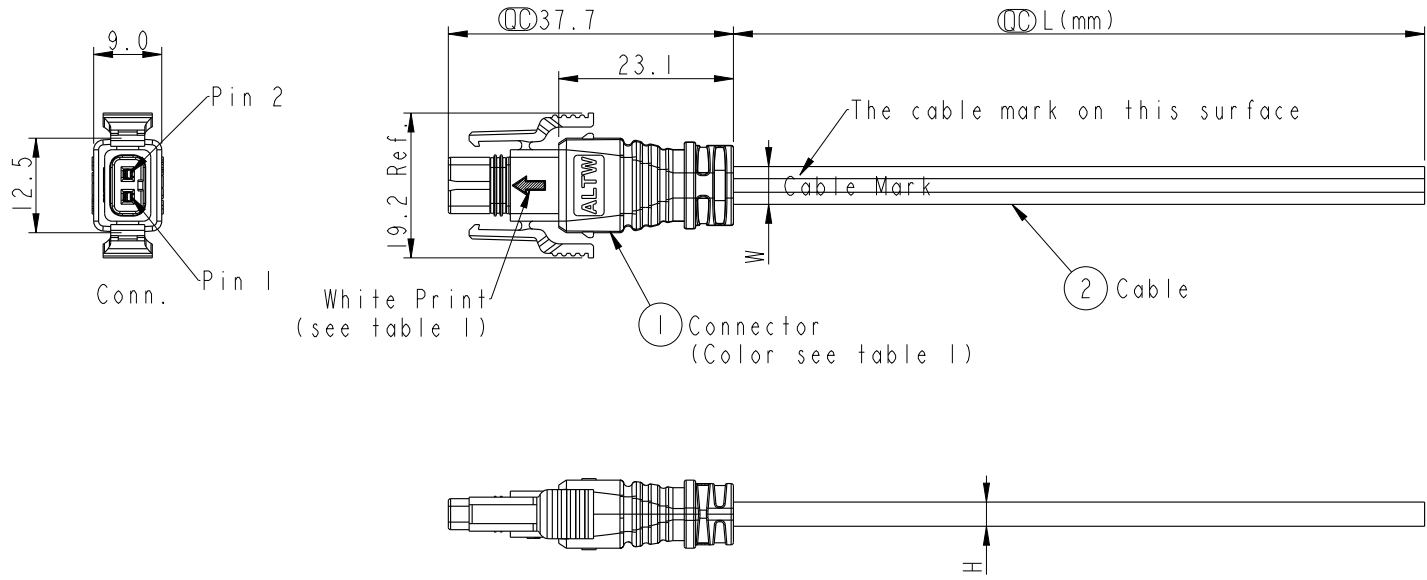


THIS DOCUMENT IS SUBJECT TO CHANGE WITHOUT NOTICE. IT IS CONFIDENTIAL AND A PROPERTY OF Amphenol LTW. DISCLOSURE TO THIRD PARTY HAS TO BE AUTHORIZED BY Amphenol LTW.

Table 1:

P/N.	connector	Cable	White Print
SSL12-P2LP0-MXXFXX	White	White	Without
SSL12-P2LP0-MXXHXX	Black	Black	With

REV.	ECN NO.	DATE	SIGN	DESCRIPTION
A	Initial Release	2017-05-16	Fisher Wang	Rev. 01 to A

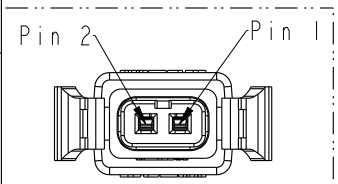


SSL12-P2LP0-MXX X XX

- XX: 1M~99M
- 01: 1M
- 02: 2M
- ...
- 99: 99M
- F: White
- H: Black

- Cable Length Tolerance:
- 01M: ±40mm
 - 02M~06M: ±60mm
 - 06M~10M: ±100mm
 - 11M~30M: ±200mm
 - 31M~99M: ±500mm

- Notes:
- * \varnothing Important Dimension To Check.
 - * Current Rating: 5A
 - * Voltage Rating: 300V DC/AC
 - * Waterproof Rate: IP68(mating)
1M Depth Of Water In 24 Hours.
 - * Housing: Thermoplastic, UL94V-0, color see table 1.
 - * Terminal: Copper Alloy, Gold Plated.
 - * Gasket: Silicone, Gray.
 - * Seals: Silicone, Gray.
 - * Cable: UL21996, Flat Cable, UV Resistance, color see table 1.
 - * Temperature Range: -40~+105℃



Pin Out	Wire Color	Conn
2	Red 紅	
1	Brown 棕	

UNIT:mm	\varnothing	
±0.5		

TITLE SSL1.2 2P, PLUG CONN+FLAT CABLE			
SCALE Free	SIZE A4	SHEET 1 OF 1	
REV. A	WC-REV. A.6	\varnothing : Inspection item	

Amphenol LTW
安費諾亮泰企業股份有限公司

ITEM NO	DRAWN BY Fisher Wang	DATE 2017-05-16
DWG NO SSL12-P2LP0-MXXXXX	CHECKED BY Victor Hung	DATE 2017-05-16
CUSTOMER ALTW	APPROVED BY Kevin Hu	DATE 2017-05-16