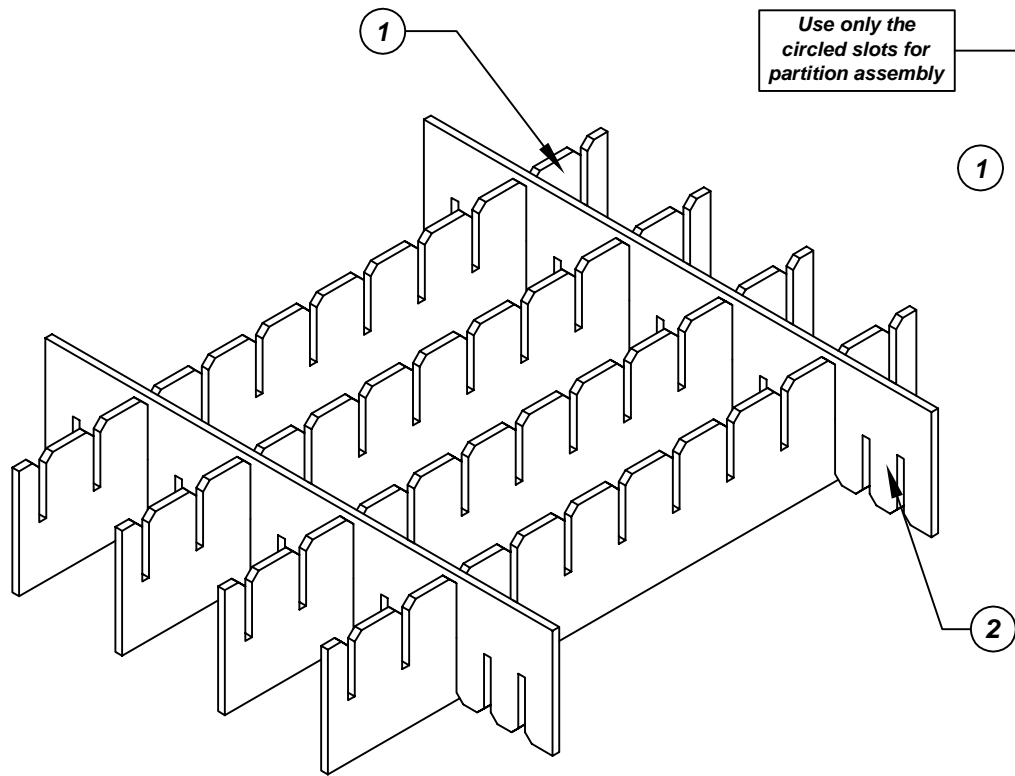
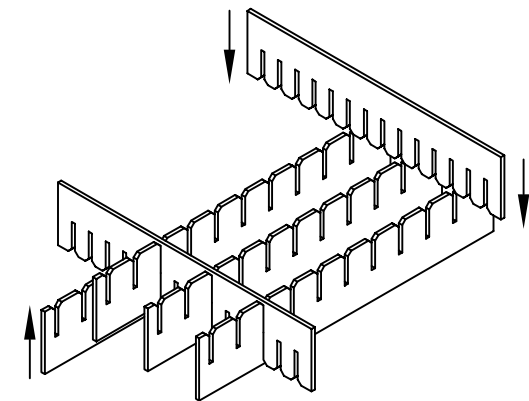
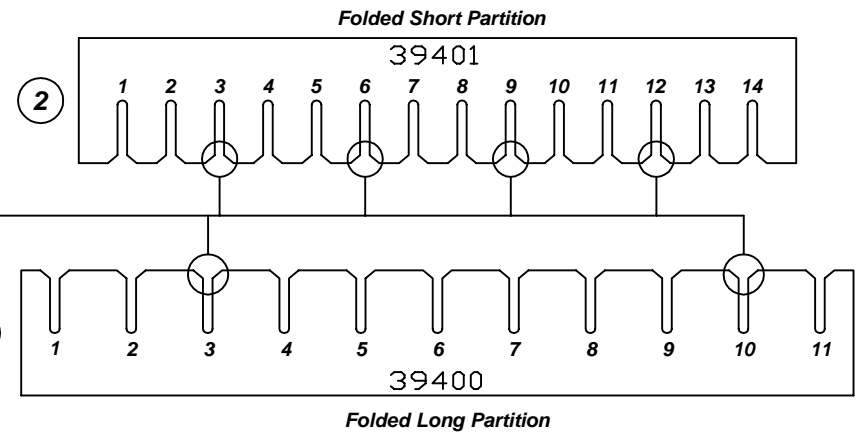


# Assembly Instructions for - 38720



Use only the circled slots for partition assembly



Made in America

|          |                        |   |   |                  |
|----------|------------------------|---|---|------------------|
| F/N<br>① | Part #<br><b>39400</b> | Dimensions:<br><b>8-3/16" x 21-3/4"</b> | Description:<br><b>Adjustable Long Partition</b>  | Qty:<br><b>4</b> |
| F/N<br>② | Part #<br><b>39401</b> | Dimensions:<br><b>8-3/16" x 18-3/4"</b> | Description:<br><b>Adjustable Short Partition</b> | Qty:<br><b>2</b> |

## 38720 - 5 Cell Inplant Handler Cell Size - 4" x 13-3/4" x 3-1/2"

Notes:  
For use with the following storage container & lid:  
37530 - Storage Container  
37557 - Lid

PROTEKTIVE PAK  
13520 MONTE VISTA AVENUE, CHINO, CA 91710  
PHONE (909) 627-2578, FAX (909) 363-7331  
ProtektivePak.com



DRAWING NUMBER  
**IPH-38720**

DATE  
**August 2011**