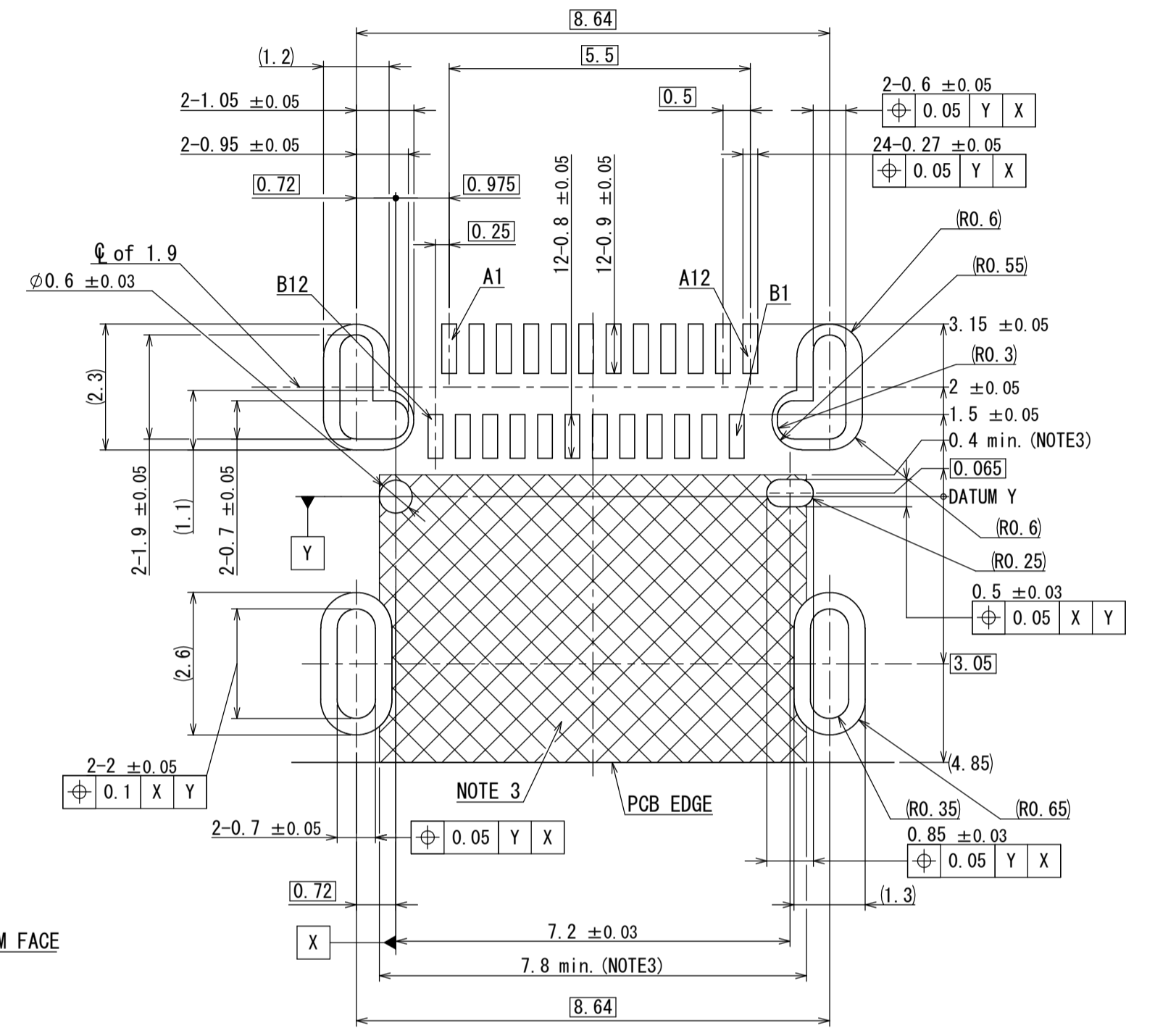
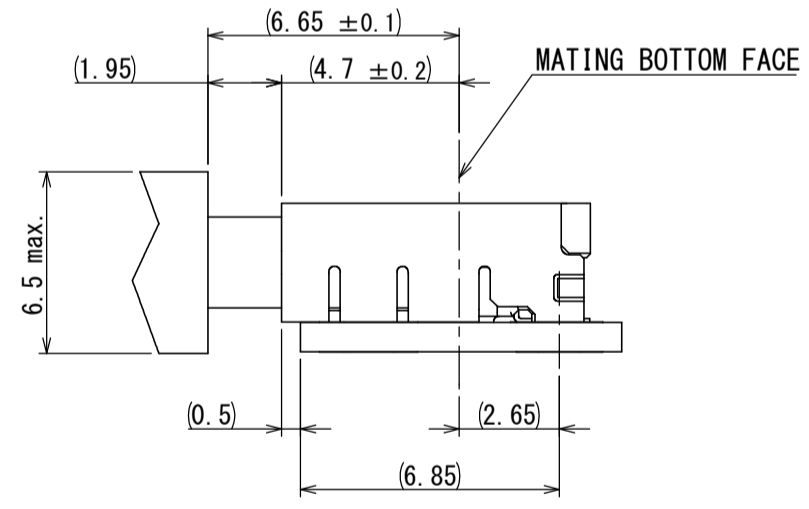
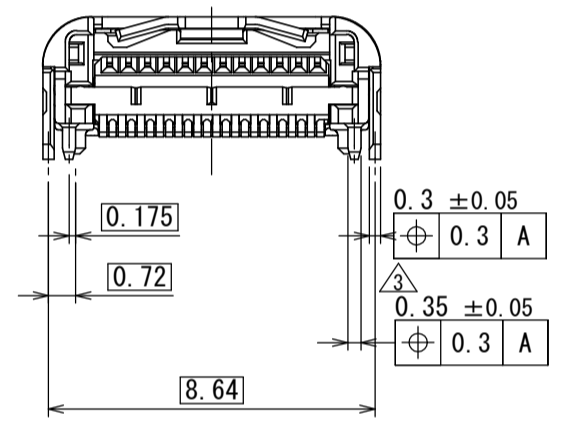
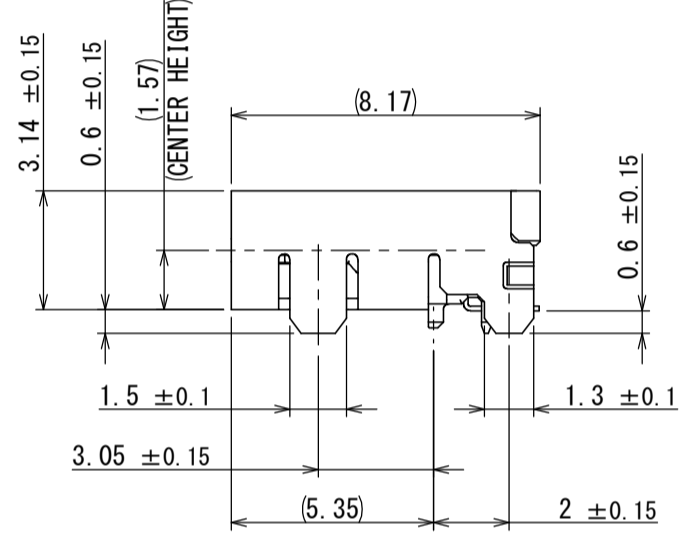
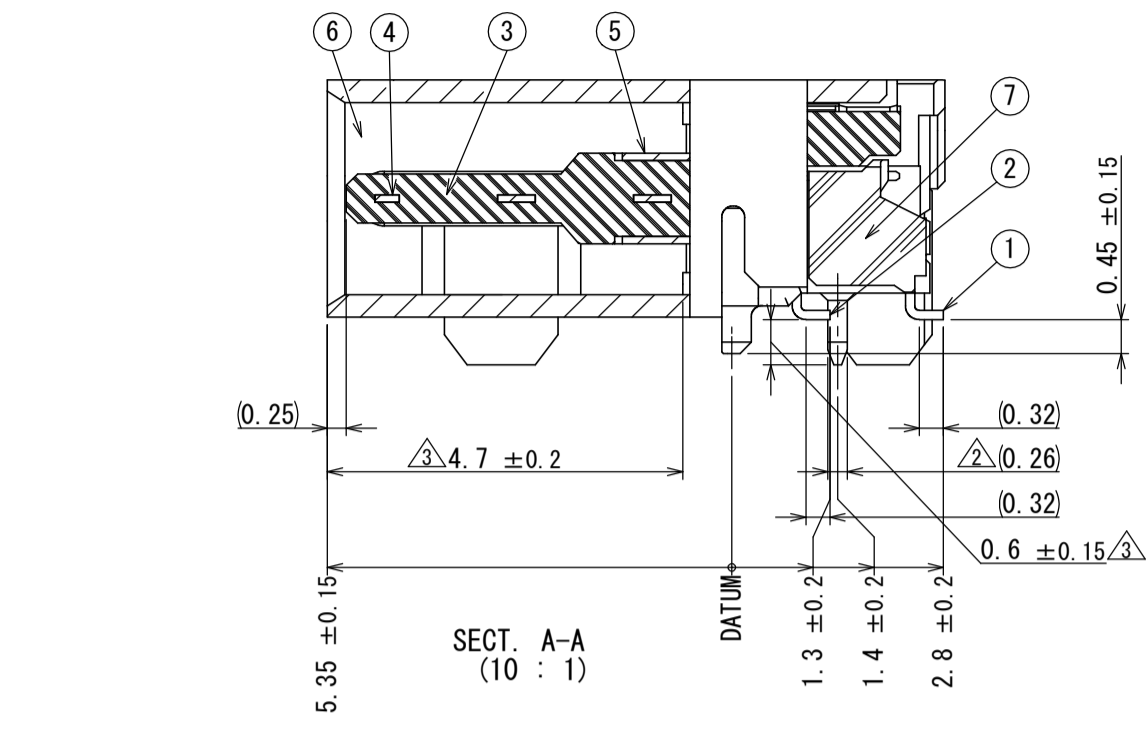
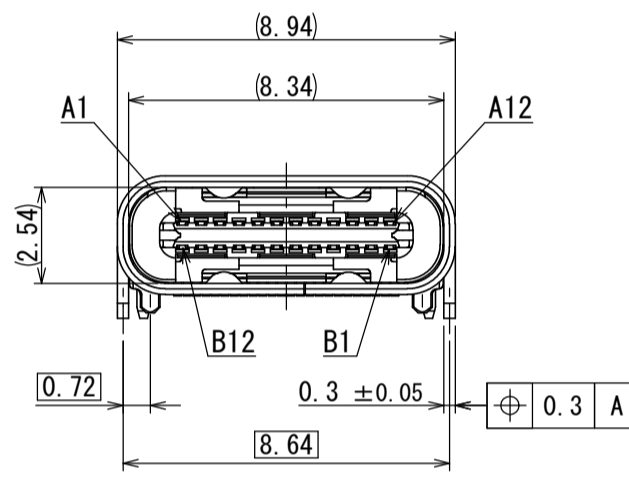
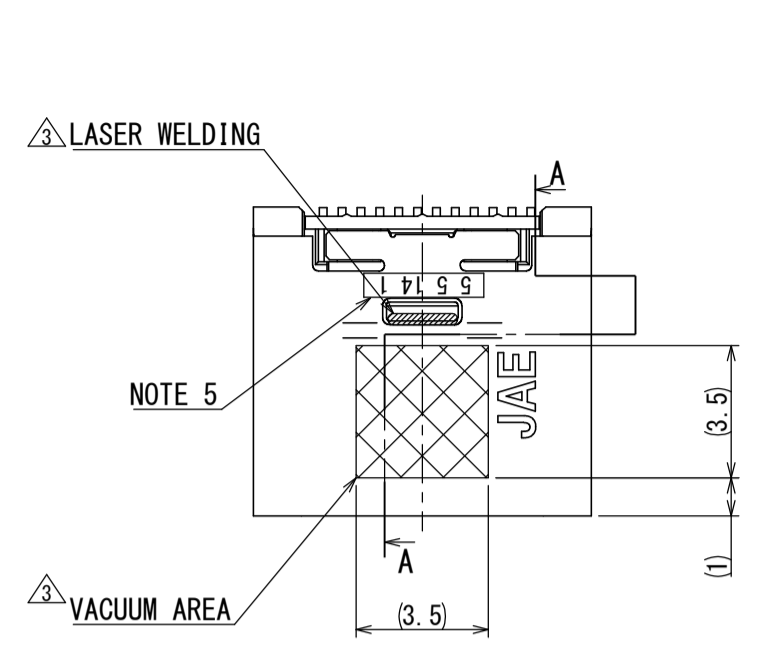
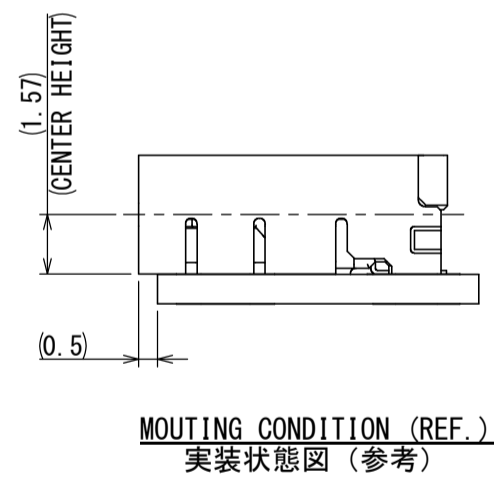
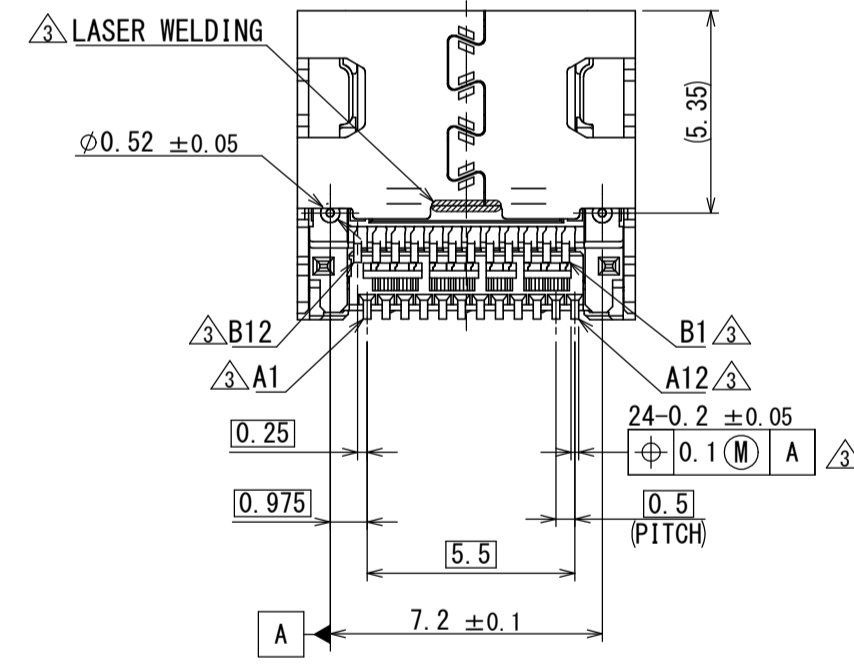


版数 VER.	年月日 DATE	CN NO.	変更内容 DESCRIPTION	製図 DR.	担当 CHK.	査閲 APPD.	承認 APPD.
2	25/JUN/2015	013535	ADDED DIMENSION	K. SAITOU	K. UEDA	—	Y. SAITOU
3	07/JAN/2016	015856	ADDED NOTE etc.		K. SAITOU	—	Y. SAITOU



CONNECTOR MOUNTING SURFACE SIDE VIEW
APPLICABLE P.C.B DIMENSION (REF.)
適合基板寸法 (参考)



MATED CONDITION (REF.)
嵌合状態図 (参考)

NOTE 1. THIS PRODUCT IS HALOGEN-FREE PRODUCT.
NOTE 2. COPLANARITY OF SMT TERMINAL IS 0.1 MAX.
NOTE 3. NO PCB ROUTING ALLOWED IN THIS AREA.
NOTE 4. THE SHELL LENGTH IS LESS THAN THE MINIMUM REFERENCES IN THE USB TYPE C STANDARD. AS SUCH THE SYSTEM IMPLEMENTER IS RESPONSIBLE FOR ACHIEVING PRODUCT RELIABILITY. THAT THE CONNECTOR BE MOUNTED SUCH THAT ALL FUNCTIONAL USB REQUIREMENTS ARE MET.
NOTE 5. LOT NUMBER IS MARKED AS INDICATED.

(EX) 5 5 14 1
YEAR MONTH DAY EQUIPMENT No.
(END OF ONE DIGIT AT CHRISTIAN ERA)
(JAN. TO SEP.: 1 TO 9, OCT.: 0, NOV.: X, DEC.: Y)
(TWO-DIGITS NUMBER)
(NUMBER OR ALPHABET)

TABLE 1. CONTACT PLATING

	FINISH	PLATING THICKNESS
CONTACT AREA	GOLD FLASH OVER PALLADIUM-NICKEL OVER NICKEL	NICKEL: 2 μm MIN. PALLADIUM-NICKEL: 0.75 μm MIN. GOLD FLASH: 0.05 μm MIN.
SOLDER TALES	GOLD FLASH OVER NICKEL	NICKEL: 2 μm MIN. GOLD FLASH: 0.03 μm MIN.

符号 NO.	名称 DESCRIPTION	個数 QTY.	材料 MATERIAL	仕上 FINISH	備考 REMARKS
7	INSULATOR 2	1	HEAT RESISTING PLASTIC	COLOR:BLACK	
6	SHELL	1	STAINLESS STEEL	NICKEL PLATING	
5	GND PLATE	2	STAINLESS STEEL	NICKEL PLATING	
4	MID PLATE	1	STAINLESS STEEL	NICKEL PLATING	
3	INSULATOR 1	1	HEAT RESISTING PLASTIC	COLOR:BLACK	
2	CONTACT B	12	COPPER ALLOY	TABLE 1	
1	CONTACT A	12	COPPER ALLOY	TABLE 1	

NOTE 6. PIN ASSIGNMENT (FRONT VIEW)

Pin No.	A1	A2	A3	A4	A5	A6	A7	A8	A9	A10	A11	A12
	GND	TX1+	TX1-	V _{BUS}	CC1	D+	D-	SBU1	V _{BUS}	RX2-	RX2+	GND
Pin No.	B12	B11	B10	B9	B8	B7	B6	B5	B4	B3	B2	B1
	GND	RX1+	RX1-	V _{BUS}	SBU2	D-	D+	CC2	V _{BUS}	TX2-	TX2+	GND

仕様書 (SPECIFICATION) JACS-30353 JAHL-30353-1

第1版 (ORIGINAL DATE) 14/MAY/2015

尺度 (SCALE) 5:1 シリーズ (SERIES) DX07

名称 (TITLE) DX07S024JJ3

製図 DR. K. UEDA

担当 CHK. Y. SAITOU

査閲 APPD. Y. SAITOU

承認 APPD. Y. SAITOU

単位 (UNIT): mm

質量 (MASS)

図面番号 (DRAWING NO.) SJ115994

版数 (VER.) 3