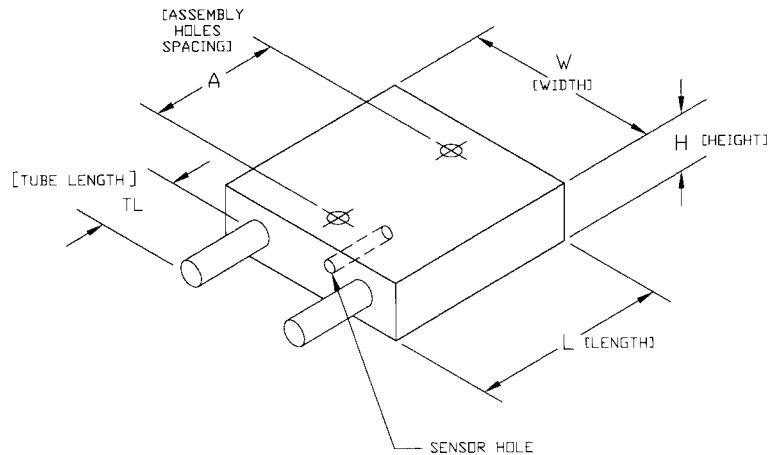


MELCOR's liquid heat exchangers are effective for cooling high powered applications where minimal temperature rise is desired, or they can be used as the flow area where a liquid's temperature is to be controlled. One of these, the LI-401, can be used with two thermoelectrics. The liquid heat exchangers are designed for use with our thermoelectric devices.

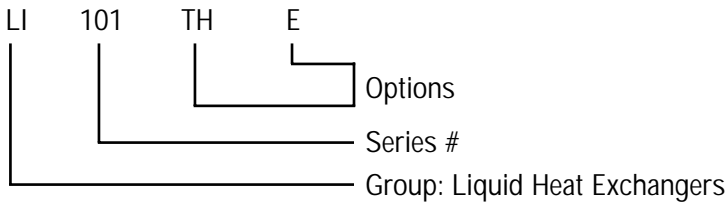
Features

- All copper construction
- Machined finish
- Solderable surface
- External portion of tubes:
Tube length = 1" (25.4mm) long,
0.25" (6.4mm) outer diameter
- Internal waterways are 0.25" (6.4mm) inner diameter
- Sensor hole for temperature monitoring
0.062" (1.58mm) diameter, 0.75" (19mm) deep
- Tapped or clearance assembly holes
English 6-32 or Metric M3

Mechanical Characteristics



Models



Series #	Assembly Hole Spacing A	Number & maximum size of TEC
-100	1.5" (38mm) O.C.	1 x 1.34" (34mm)
-200	2.0" (51mm) O.C.	1 x 1.73" (44mm)
-300	3.0" (76mm) O.C.	1 x 2.44" (62mm)
-400	2.0" (51mm) O.C. (2 sets)	2 x 1.73" (44mm)

Options	Description
NH	No Holes
CL*	Clearance Holes
TH-E	Tapped Holes - English
TH-M	Tapped Holes - Metric

*Standard

Dimensions

Model	Width in (mm)	Length in (mm)	Height in (mm)
LI-101	1.25 (32)	2.0 (51)	0.38 (9.7)
LI-102	2.0 (51)	1.25 (32)	0.38 (9.7)
LI-201	2.0 (51)	2.25 (57)	0.50 (12.7)
LI-301	2.5 (64)	3.50 (89)	0.50 (12.7)
LI-401	2.0 (51)	6.00 (152)	0.50 (12.7)