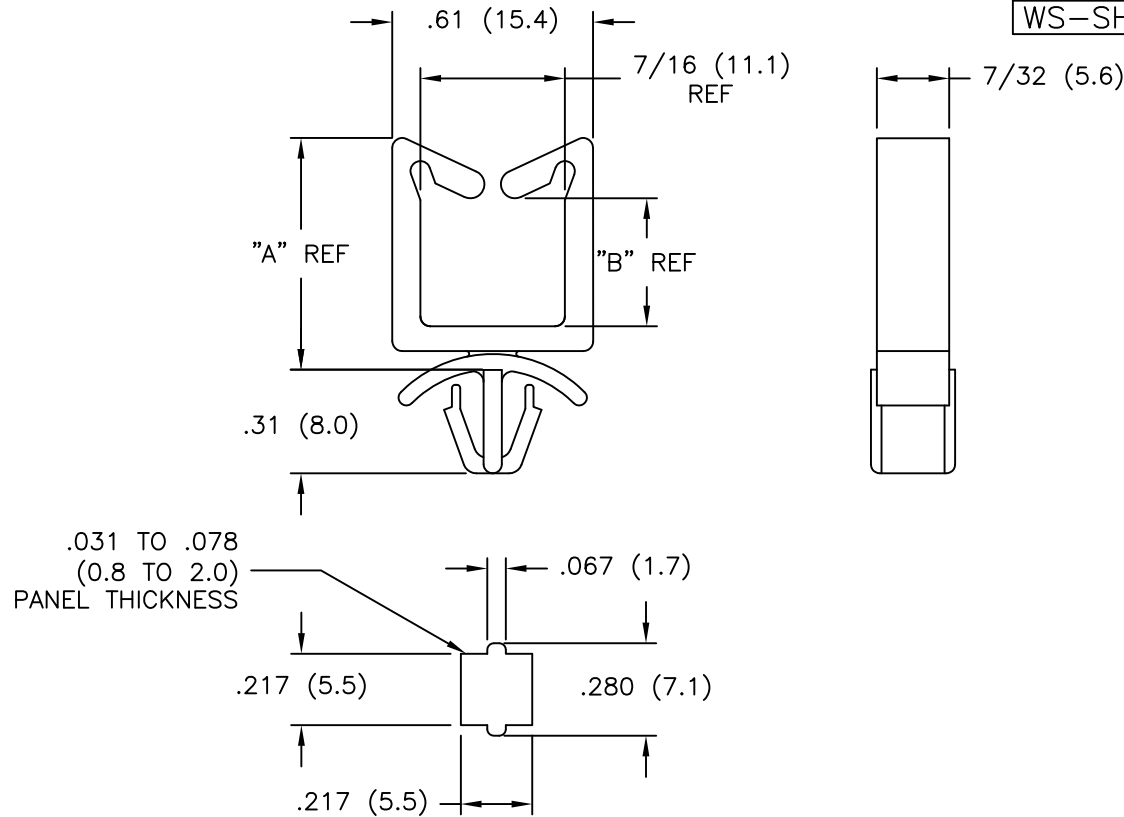


AVAILABLE BY SPECIAL ORDER ONLY

PART NO.	"A"	"B"
WS-SH-1-01	.51 (13.0)	.19 (4.8)
WS-SH-2-01	.71 (18.0)	.39 (9.9)
WS-SH-3-01	1.06 (26.9)	.75 (19.1)
WS-SH-4-01	1.37 (34.8)	1.07 (27.2)



NOTES:

- MATERIAL: NYLON 6/6 UL94 V-2 (RMS-01).
 -NYLON 6/6 UL94 V-0 (RMS-19),
 -NYLON 4/6 UL94 V-2 (RMS-109)
- COLOR: NATURAL.

REV			TITLE: WIRE SADDLE SQUARE HOLE ENTRY			DWG IN IN (MM)		FINAL		PRINT TYPE			
F	UPDATED TOLERANCES, CO 200545	SK 06.23.10	TOLERANCES UNLESS NOTED .XX=±.010 .XXX=±.005 FRAC=±1/64 ANG=±1°			FILE #	WS-SH	DWN:	P.B.	APP:	PART # SEE TABLE	PRINT TYPE CA	
E	ADDED RMS-109 NOTE, CO200541	SK 06.21.10				MAT'L:	SEE NOTES	DT:	08-04-94	DT:			
D	SEE ECN #862 FOR CHANGES	SM 10.04.04				RE:	RICHCO, INC.	RICHCO INC. PO BOX 804238, CHICAGO, 60680 (773) 539-4060					
C	UPDATED PRINT AND CHANGED FILE NO.	SM 03.11.02											
B	DIM "A" LOCATION CHANGED	JL 8.4.99											
A	-01 ADDED TO P/N'S	PB 110994											
REV	DESCRIPTION	ENGR DATE											