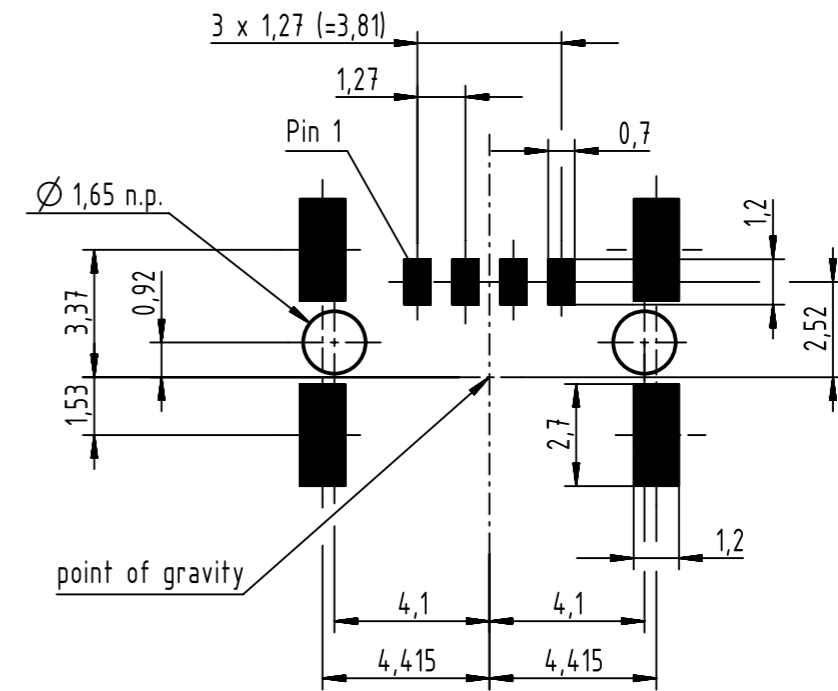
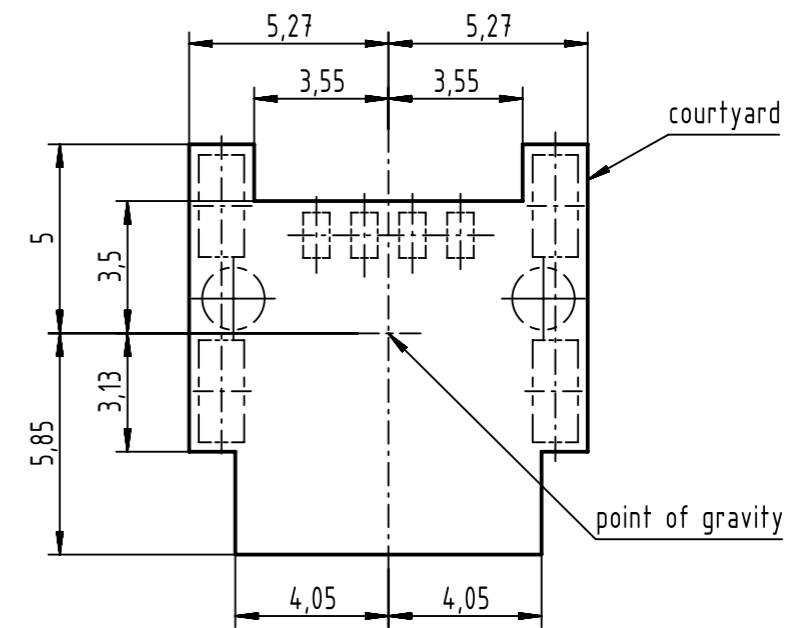


### footprint



### courtyard / component area



further information see: DS 14111200301

	All rights reserved Department EC PD - DE	Created by HASSE	Inspected by LUETTERMAND	Standardisation HOFFMANN	Date 2013-09-05	State Final Release	Ref. Sub. TB 14110410002XXX ECM-nr.: 500000062654 11.06.2013
	Title har-flexicon 1,27 male connector					Doc-Key / ECM-Nr. 100229555/UGD/009/B 500000066128	
HARTING Electronics GmbH D-32339 Espelkamp		Type TB	Number 14110410002XXX		Rev. B	Page 1/1	