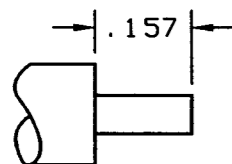
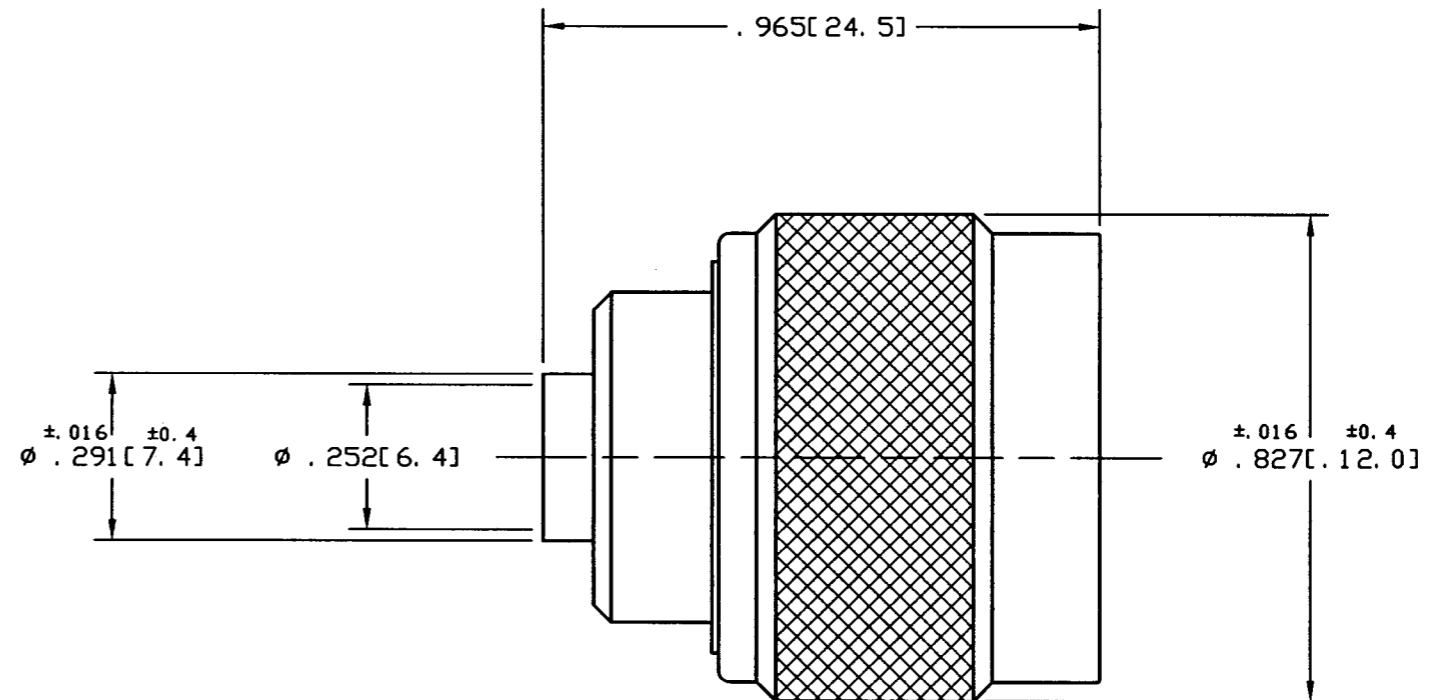
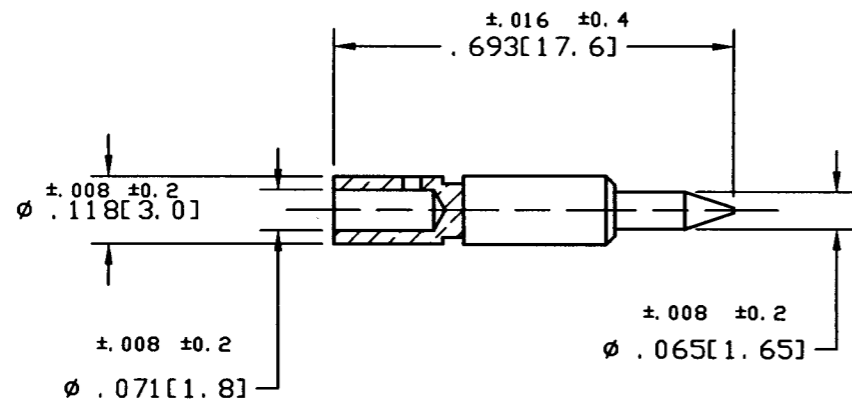


NOTES:

- MATERIALS OF CONSTRUCTION:
SHELL, HOUSING & CONTACT BODY - BRASS, NICKEL PLATING.
CONTACT PIN & BARREL - BRASS, GOLD PLATING.
RETAINER RING - STAINLESS STEEL, NATURAL.
INSULATOR - TEFLON.
GASKET - SILICONE RUBBER.
- PACKAGE CONNECTOR IN BAG.
- DO NOT SCALE THIS DRAWING.
- UNLESS OTHERWISE SPECIFIED, ALL DIMENSIONS ARE AFTER PLATING.

82-6124		REVISIONS		
DRAWING NO.	REV	DESCRIPTION	DATE	ECO
THIRD ANGLE PROJ.	A	RELEASE TO MFG.	5/28/99	42719
				APPR CPM/



RECOMMENDED CABLE STRIPPING DIM'S

CUSTOMER OUTLINE DRAWING

UNLESS OTHERWISE SPECIFIED, DIMENSIONS ARE IN INCHES AND TOLERANCES ARE: 2 PLACE DECIMAL ±.015 (0,381 mm) 3 PLACE DECIMAL ±.005 (0,127 mm) ANGLES ± 1°	MATERIAL	DRAWN C. McGRATH	DATE 5/18/99	TITLE	Amphenol Amphenol Corporation RF/Microwave Operations Danbury, Conn. U. S. A. 06810
	REFERENCE EAR 967258-0	ENGINEER T. AUBIN	DATE 5/18/99	'N' DIRECT SOLDER PLUG	
NOTICE - These drawings, specifications, or other data (1) are, and remain the property of Amphenol Corp. (2) must be returned upon request; and (3) are confidential and not to be disclosed to any person other than those to whom they are given by Amphenol Corp. The furnishing of these drawings, specifications, or other data by Amphenol Corp., or to any other person to anyone for any purpose is not to be regarded by implication or otherwise in any manner licensing, granting rights or permitting such holder or any other person to manufacture, use or sell any product, process or design, patented or otherwise, that may in any way be related to or disclosed by said drawings, specifications, or other data.		APPROVED <i>L. Aubin</i>	DATE 5/26/99		SCALE: 3:1
		CAD FILE H:\DEPT611\N\082\ASSY\6124SHT2	CODE ID 74868	DWG SIZE B	DRAWING NO. 82-6124