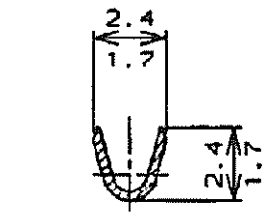
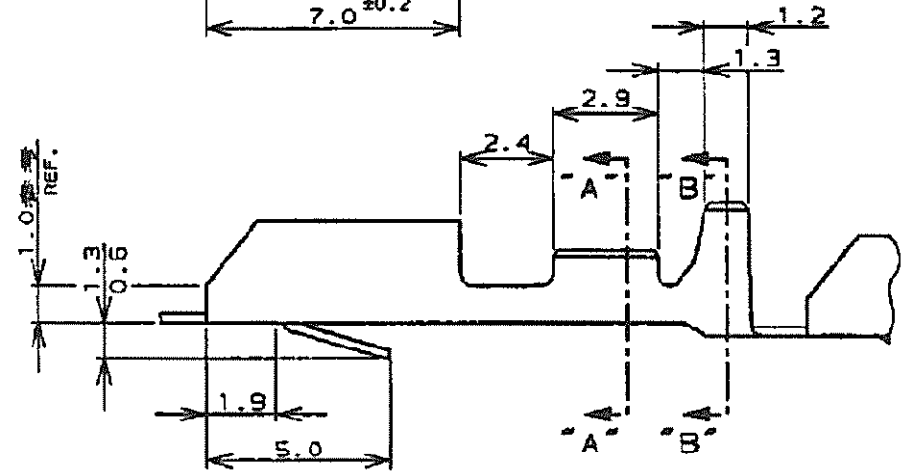
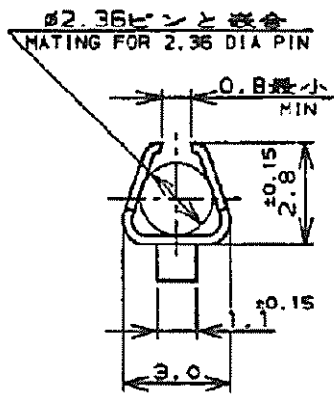
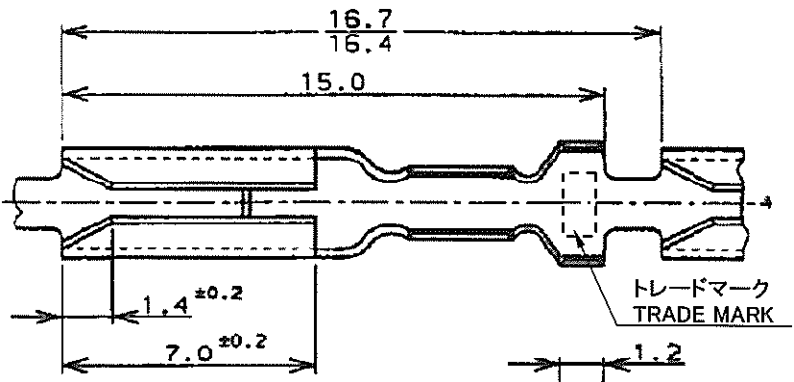
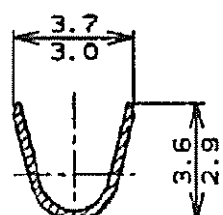


THIS DRAWING IS UNPUBLISHED. ALL RIGHTS RESERVED. 19

Loc	Q151	REVISIONS			DATE	DWN	APVD
J		P	LTR	DESCRIPTION	15APR2015	NK	LP
		M1		REVISED PER ECR-15-005548			



断面 "A" - "A" SECT.



断面 "B" - "B" SECT.

OBSOLETE	黄銅0.25t (BRASS)	170073-7
	錫めっき済・黄銅0.25t (PRE-TIN PHOS. BRONZE)	170073-6
	錫めっき済・黄銅0.25t (PRE-TIN BRASS)	170073-5
	錫めっき (POST-TIN) 黄銅0.25t (BRASS)	170073-2
	仕上 (FINISH) 材料 (MATERIAL)	型番 (PART NO.)

WIRE RANGE 仕上電線断面積 0.2~0.56mm ² (AWG#24~#20)	INSULATION DIA 被覆外径 1.2~2.79mm
---	--------------------------------------

DIMENSIONS:
単位 ㎜
mm

TOLERANCES UNLESS OTHERWISE SPECIFIED.

~~寸法
 10mm ±0.2
 30 ±0.25
 100 ±0.3
 角度 ±0.3°
 ±0.26
 ±1.0°~~

DWN *N. Nishino* 3/24 96

CHK *S. Sugita* 24 APR '96

APVD *S. Sugita* 25 APR '96

PRODUCT SPEC
製品規格
108-5014
108-5054

APPLICATION SPEC
取付適用規格

WEIGHT

MATERIAL 表参照 SEE TABLE

FINISH 仕上 表参照 SEE TABLE

STE TE Connectivity

NAME 名称
φ2.36用 ピン リセブタクル
2.36 DIA PIN RECEPTACLE

SIZE A4 CAGE CODE 00779 DRAWING NO. C-170073

CUSTOMER DRAWING

SCALE 尺 1:5 SHEET 1 OF 1 REV M1

顧客用図面