

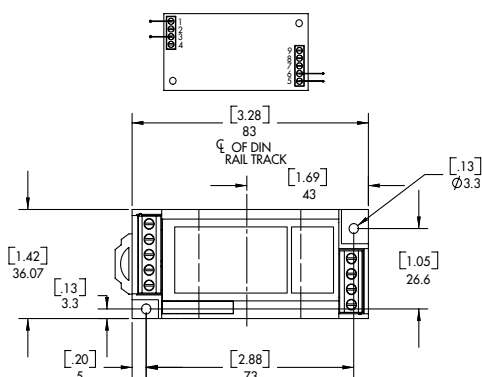


The **CRPS24VDC** Series Power supplies are designed to meter CR Magnetics digital and analog transducers. These switched mode power supplies are compact and efficient with a modern clean looking case.

Features

- 35mm DIN Rail or Panel Mount
- Available with 120V and 240V Input
- 24 VDC Powered
- Use with CR Magnetics Transducers
- Highest precision available
- Connection diagram printed on case

Regulatory Agencies



CONNECTION DIAGRAM

PART NUMBERS

CRPS24VDC - □ - 120V or 240V Power Supply with 24 VDC Output

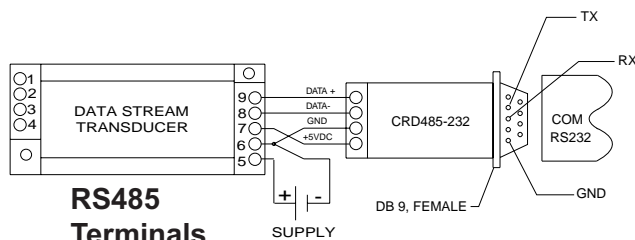
□ Add suffix for input range

- 120V** - 120 Volts
- 240V** - 240 Volts

Specifications	
Input Voltage	120V,240V±10% 50/60Hz
Rated Output	200mA
Output Voltage	+24VDC
Output Ripple	≤10mV

CRD485-232

RS485 to RS232 Converter Accessory
Connect PC to RS485 Bus



Another HUNTINGTON ELECTRIC Company

CR Magnetics, Inc. 3500 Scarlet Oak Blvd. St. Louis MO USA 63122 V: 636-343-8518 F: 636-343-5119

Web: <http://www.crmagnetics.com>

E-mail: sales@crmagnetics.com