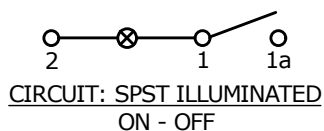


RECOMMENDED PANEL MOUNTING

PANEL THICKNESS	X
0.75-1.25	19.15 +/- .05
1.25-2.00	19.35 +/- .05
2.00-3.00	19.5 +/- .10

INCANDESCENT

PARAMETERS	SYMBOL	MAX.	UNITS
LAMP VOLTAGE(DC)	V	12	V
POWER DISIPATION	P _d	2	WATTS
CURRENT	I	100	mA



NOTES:

1. ALL DIMENSIONS IN MM [INCH]
2. GENERAL TOLERANCE: X.X = ±0.4
X.XX = ±0.25

3. RATING:

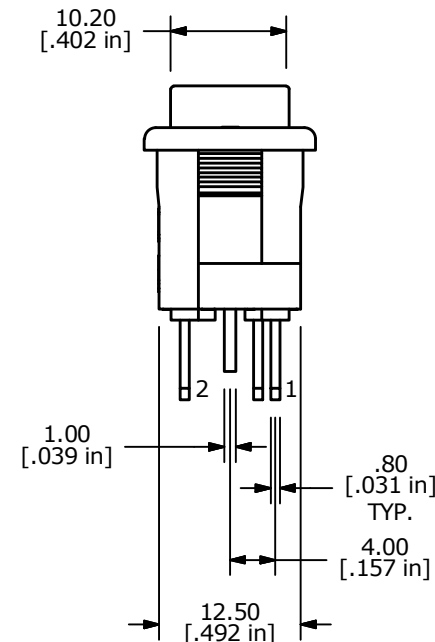
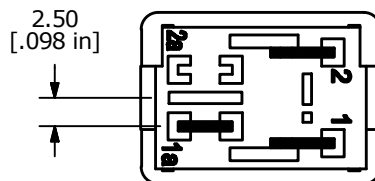
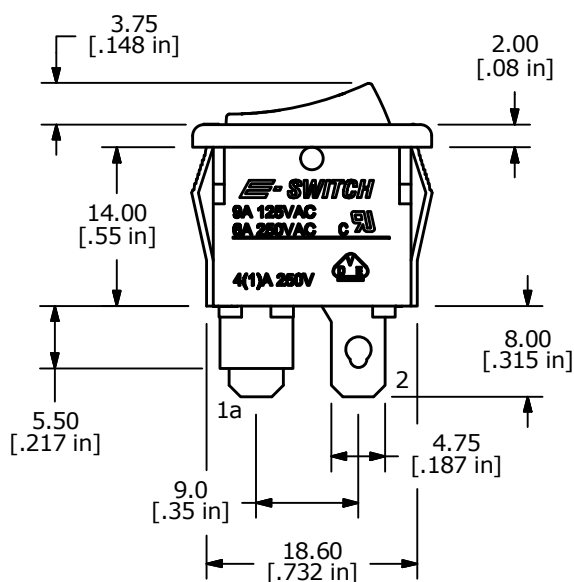
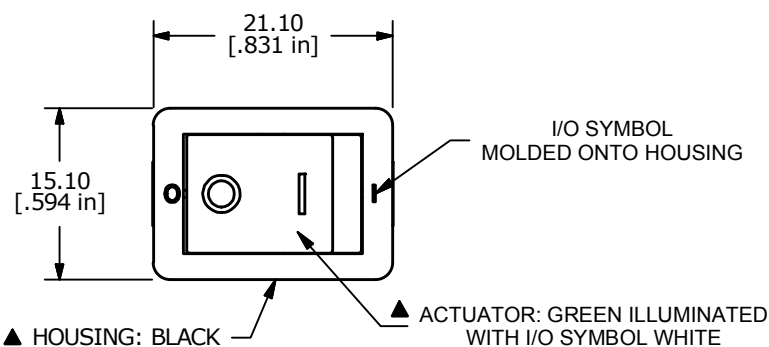
6A @250VAC; 9A @125VAC (UL, CSA, VDE)
4(1)A @250VAC

- ▲ 4. LAMP VOLTAGE: 12VDC (INCANDESCENT BULB)

5. MATERIAL:

CONTACT SURFACE: COIN SILVER, SILVER PLATE
TERMINAL: COPPER ALLOY W/SILVER PLATE.

6. CONTACT RESISTANCE: 20 Milli-OHMS TYP. INITIAL
7. INSULATION RESISTANCE: 1000 MEGAOHMS
8. DIELECTRIC STRENGTH:
>1500V RMS min. @SEA LEVEL
9. MECHANICAL LIFE: 30,000 CYCLES.
10. ELECTRICAL LIFE: 10,000 CYCLES
11. ▲ DENOTES CRITICAL PARAMETER.
12. 2011/65/EU (ROHS) COMPLIANT



REV	PCR NO	DESCRIPTION	DATE	BY
B	22655	Add ON - OFF to circuit diagram	12/29/16	MW
A	18434	RELEASED FOR PRODUCTION	3/23/09	BLR

TITLE R1973ABLKGILGF3				
SCALE	DATE	DR	DWG	REV
1.5:1	3/23/2009	TN	M400402	B