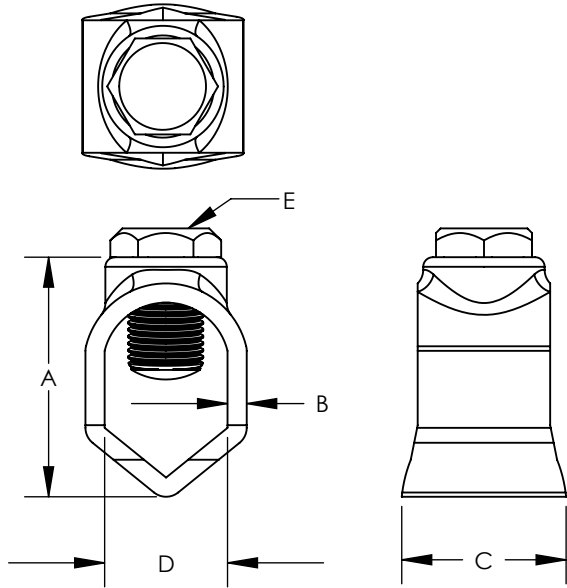


THIS COPY IS PROVIDED ON A RESTRICTED BASIS AND IS NOT TO BE USED IN ANY WAY DETRIMENTAL TO THE INTERESTS OF PANDUIT CORP.



NOTES:

- MATERIAL:
BODY - BRONZE
SCREW - PHOS. BRONZE OR STEEL
- PARTS ARE cULus LISTED to UL467 AS GROUNDING & BONDING EQUIPMENT.
- RATED FOR DIRECT BURIAL
- SEE WWW.PANDUIT.COM FOR PART NUMBER SUFFIX DESIGNATION OF PACKAGING SIZE.



PART NUMBER	DESCRIPTION	GROUND ROD	GROUNDING WIRE	DIMENSIONS - IN [mm] +/- .05 [1.3]				
				A	B	C	D	E
GRC4-38	GROUND ROD CLAMP STANDARD	3/8"	4 - 10 AWG	1.00 [25.4]	.13 [3.3]	.82 [20.8]	.44 [11.2]	1/2 HEX HEAD
GRC2-12	GROUND ROD CLAMP STANDARD	1/2"	2 - 10 AWG	1.19 [30.2]	.12 [3.0]	.68 [17.3]	.55 [14.0]	1/2 HEX HEAD
GRC2-58	GROUND ROD CLAMP STANDARD	5/8"	2 - 10 AWG	1.34 [34.0]	.12 [3.0]	.64 [16.3]	.69 [17.5]	1/2 HEX HEAD
GRC2-34	GROUND ROD CLAMP STANDARD	3/4"	2 - 10 AWG	1.48 [37.6]	.13 [3.3]	.71 [18.0]	.81 [20.6]	1/2 HEX HEAD
GRCH2-12	GROUND ROD CLAMP HEAVY DUTY	1/2"	2 - 10 AWG	1.25 [31.8]	.10 [2.5]	.82 [20.8]	.55 [14.0]	1/2 HEX HEAD
GRCH1/0-58	GROUND ROD CLAMP HEAVY DUTY	5/8"	1/0 - 8 AWG	1.42 [36.1]	.10 [2.5]	.99 [25.2]	.69 [17.5]	1/2 HEX HEAD
GRCH1/0-34	GROUND ROD CLAMP HEAVY DUTY	3/4"	1/0 - 8 AWG	1.60 [40.6]	.13 [3.3]	.97 [24.6]	.81 [20.6]	1/2 HEX HEAD
GRC1/0-34X	GROUND ROD CLAMP STANDARD	3/8" - 3/4"	1/0 - 10 AWG	1.70 [43.1]	.15 [3.8]	.82 [21.0]	.73 [18.4]	9/16 HEX HEAD
GRC3/0-34	GROUND ROD CLAMP STANDARD	5/8" - 3/4"	3/0 - 8 AWG	1.90 [48.3]	.14 [3.6]	1.00 [25.4]	.83 [21.1]	1/2 HEX HEAD

REV	DATE	BY	CHK	APR	DESCRIPTION	ECN
04	7/14	JHNU	SKB	RGB	REVISED PART NUMBER: GRC3/0-34 WAS GRC3/0-38	10J018AA-JC
03	6/14	JHNU	SKB	RGB	ADDED GRC1/0-34X, GRC3/0-38	10J018AA-JC

TITLE		BRONZE GROUND ROD CLAMPS	
		CUSTOMER DRAWING	
ITEM REVISION NAME	10J018AA/04		
DATASET FILE NAME	10J018AA-JC/04.SLDDRW		
UNLESS OTHERWISE SPECIFIED, DIMENSIONAL TOLERANCES ARE: IN [mm]		PANDUIT	
.X ± .XX ±			
.XXX ± ANGLES ±		SEE NOTES	
THIRD ANGLE PROJECTION			
DRAWN BY	DATE	CHK	SCALE
JHNU	7/12	SRBI	N/A
DRAWING NUMBER			10J018AA-JC
SHEET 1 OF 1			SIZE A