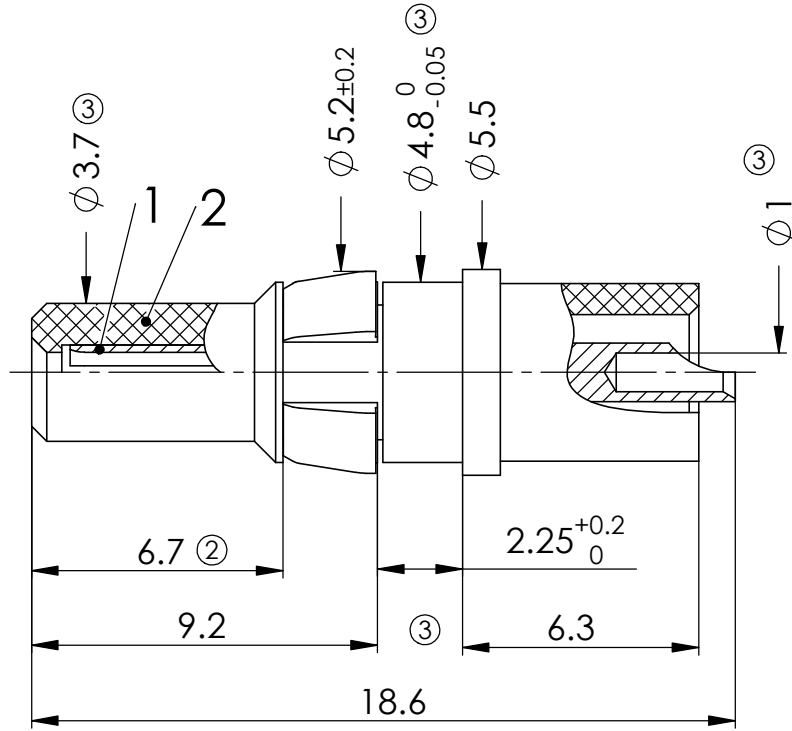
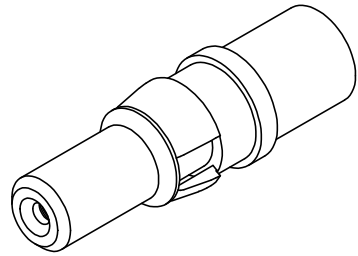


COMMENT:  
 ALL RIGHTS ARE RESERVED BY US FOR THIS DRAWING. WITHOUT OUR PRIOR CONSENT,  
 IT MAY NEITHER BE DUPLICATED NOR MADE AVAILABLE TO A THIRD PARTY,  
 AND IT ALSO MAY NOT BE IMPROPERLY USED BY THE RECEIVER, OR A THIRD PARTY.



			<b>HIGH VOLTAGE CONTACT</b>	SCALE 1:0.2	CABLE	
FOR D-SUB or EN 60603-2			DRAWN	NAME / DATE erappenglitz 10-05-2005	DATA SHEET	
DIMENSIONS IN MM			CHECKED	msteinbrueck 18-08-2006		
MATERIAL + FINISH SEE EXTRA SHEET						
UNLESS OTHERWISE SPECIFIED DIMENSIONS FOR REFERENCE ONLY						
3	18-01-2010	11430				PART NO. FMV001P_K
REV.	DATE	INDEX	ORIGINAL: DIN A4-DRAWING AS A FILE	REPLACEMENT FOR:	PAGE: 1/1	