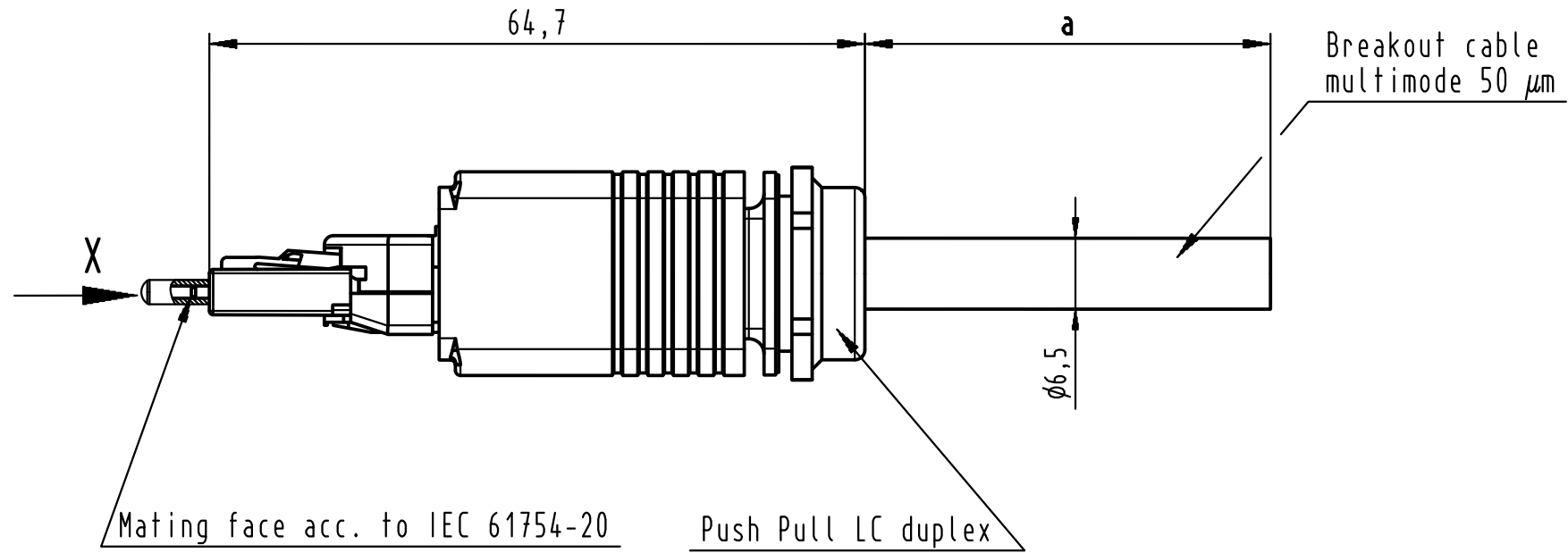
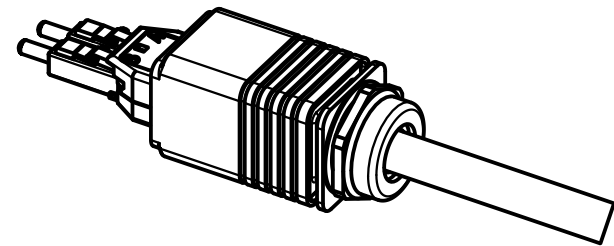
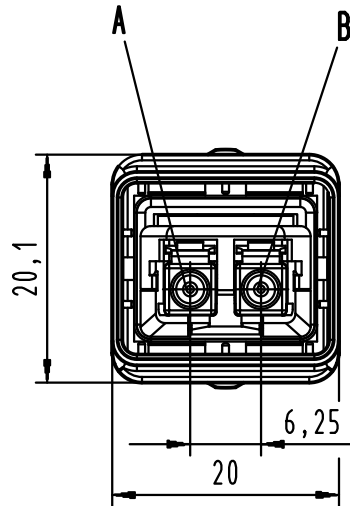


Alle Rechte vorbehalten/ All rights reserved



X
(without protection cap)



Loading-Plan

A blue
B orange

For Information Only
won't be replaced when changed

-Protection level: IP67/65
-Temperature range: -40°C ...+70°C

12	Fiber optic cable breakout Multi Mode	33 58 111 300 0004	300 ± 3 m
11	Fiber optic cable breakout Multi Mode	33 58 111 150 0004	150 ± 1,5 m
10	Fiber optic cable breakout Multi Mode	33 58 111 100 0004	100 ± 1 m
9	Fiber optic cable breakout Multi Mode	33 58 111 080 0004	80 ± 0,8 m
8	Fiber optic cable breakout Multi Mode	33 58 111 060 0004	60 ± 0,6 m
7	Fiber optic cable breakout Multi Mode	33 58 111 050 0004	50 ± 0,5 m
6	Fiber optic cable breakout Multi Mode	33 58 111 040 0004	40 ± 0,4 m
5	Fiber optic cable breakout Multi Mode	33 58 111 030 0004	30 ± 0,3 m
4	Fiber optic cable breakout Multi Mode	33 58 111 020 0004	20 ± 0,2 m
3	Fiber optic cable breakout Multi Mode	33 58 111 010 0004	10 ± 0,1 m
2	Fiber optic cable breakout Multi Mode	33 58 111 005 0004	5 ± 0,05 m
1	Fiber optic cable breakout Multi Mode	33 58 111 001 0004	1 ± 0,015 m

Cont No.	Type of cable	Part-No.	Dim. a
----------	---------------	----------	--------

All Dimensions in mm Original Size DIN A 3		Techn. Character.		Nicht tolerierte Maß/Free size tolerances	
		Dat. Name Maßstab/Scale		FO cable assembly 1xPush Pull LC duplex Multimode 50 μm	
		Detail. 16.11.09 MR			
		Insp. 16.11.09 RA			
		Stand.			
DRS946A	16.05.11	RO	HARTING Electronics GmbH & Co. KG D-32339 ESPELKAMP		TB 33 58 111 xxx 0004
DRS761A	07.07.10	MS			
DRS539B					
Mod.	Dat.	Name	Sub.		Blatt/ page