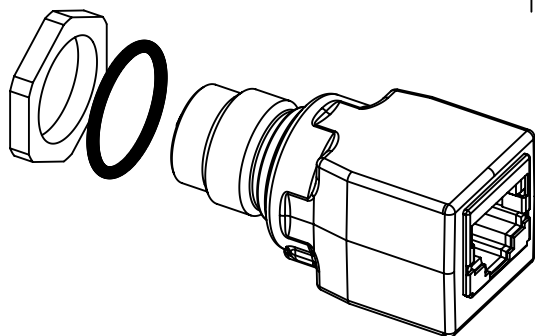
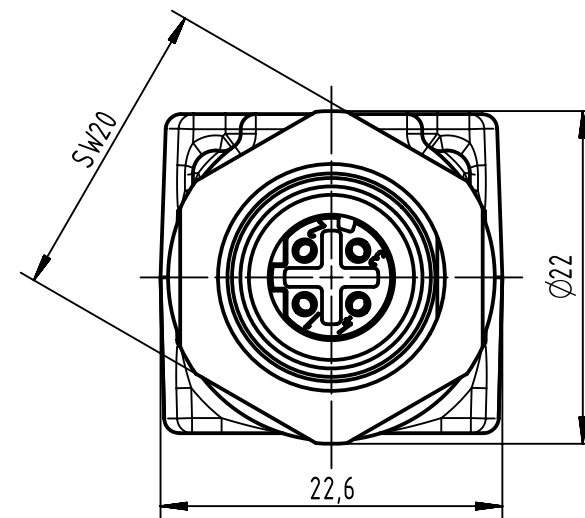
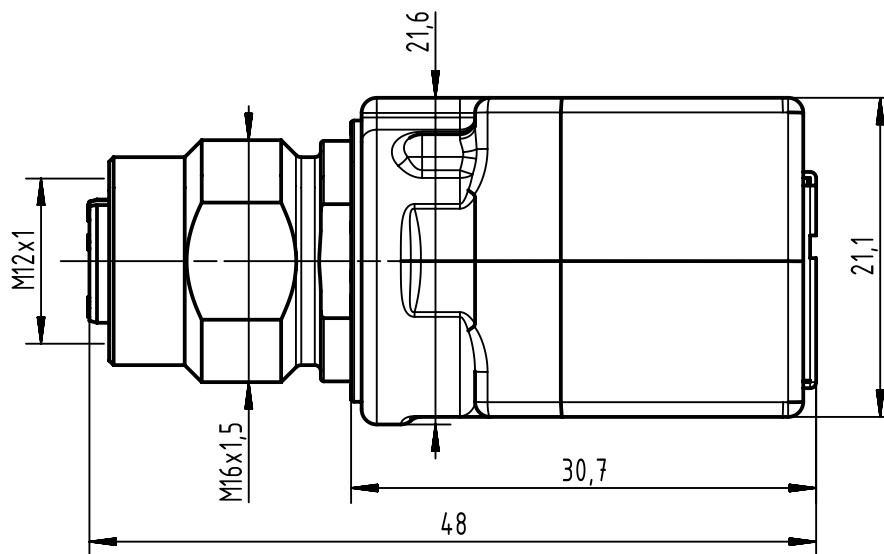
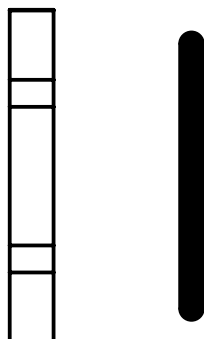
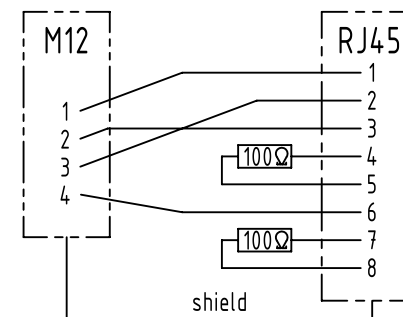


schematic diagram



	All Dimensions in mm Original Size DIN A4		Scale 2:1	Free size tol.		Ref.	
	All rights reserved Department EC PD - DE		Created by DYCKC	Inspected by SCHREIER	Standardisation HOFFMANN	Date 2013-08-21	State Final Release
HARTING Electronics GmbH D-32339 Espelkamp			Title Adapter M12-RJ45 Straight			Doc-Key / ECM-Nr. 100188167/UGD/003/C 500000065523	
			Type TB	Number 21033812400		Rev. C	Page 1/1