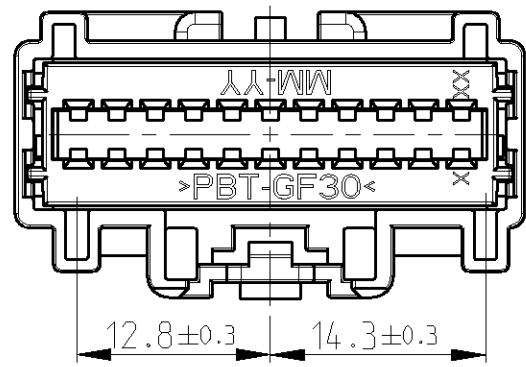
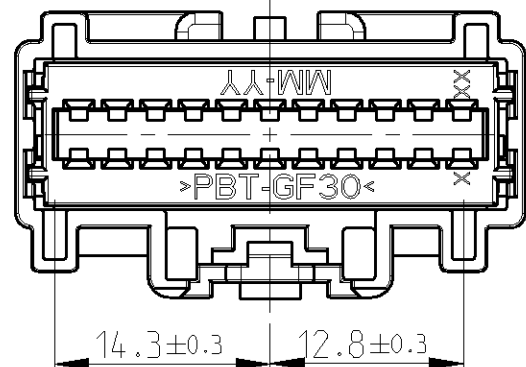


THIS DRAWING IS UNPUBLISHED. RELEASED FOR PUBLICATION 2007
 © COPYRIGHT 2007 BY TYCO ELECTRONICS CORPORATION. ALL RIGHTS RESERVED.

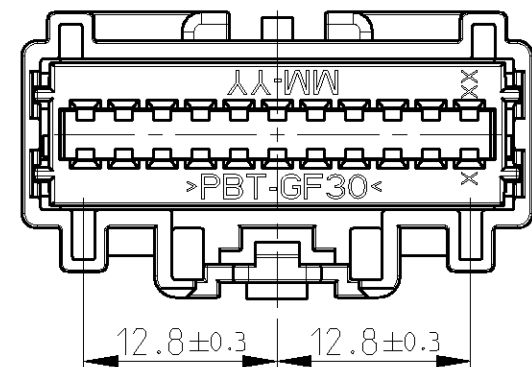
LOC	DIST	REVISIONS			
P	LTR	DESCRIPTION	DATE	DWN	APVD
A1	-				
	B	SEE ECR-07-014337	15JUN2007	HM	GS



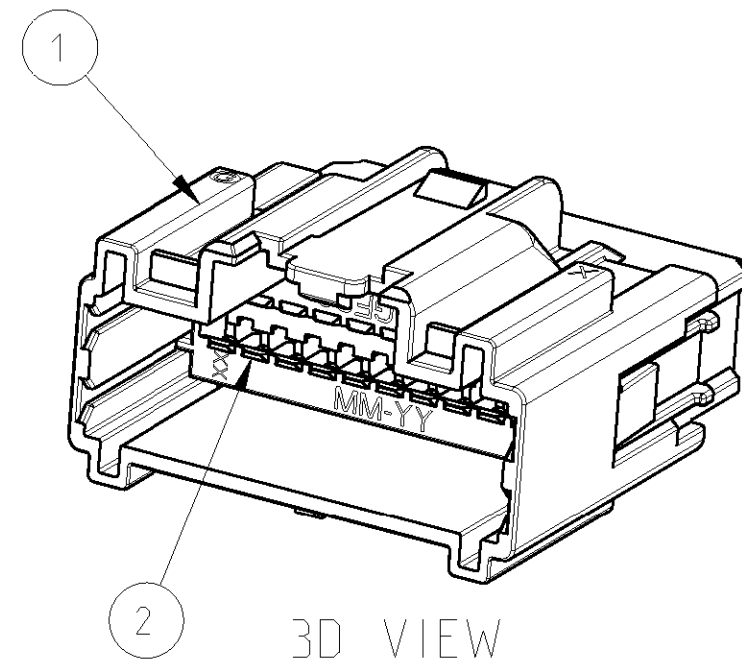
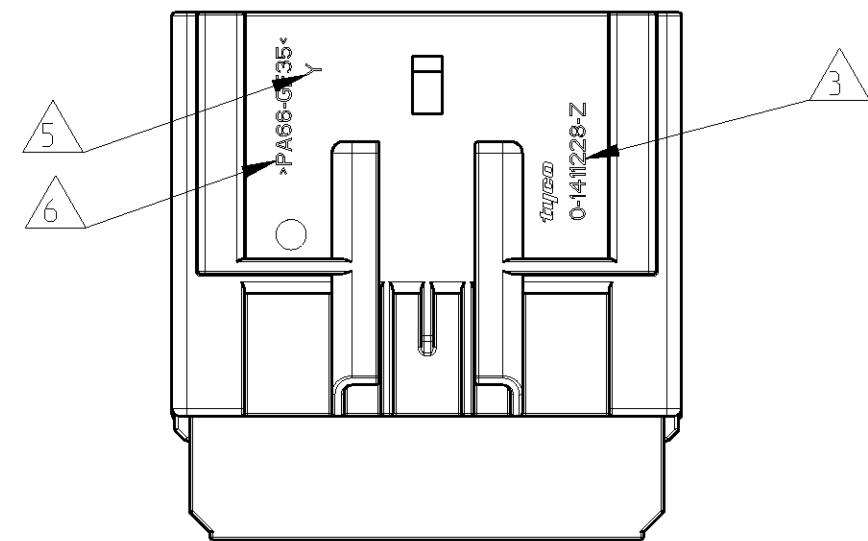
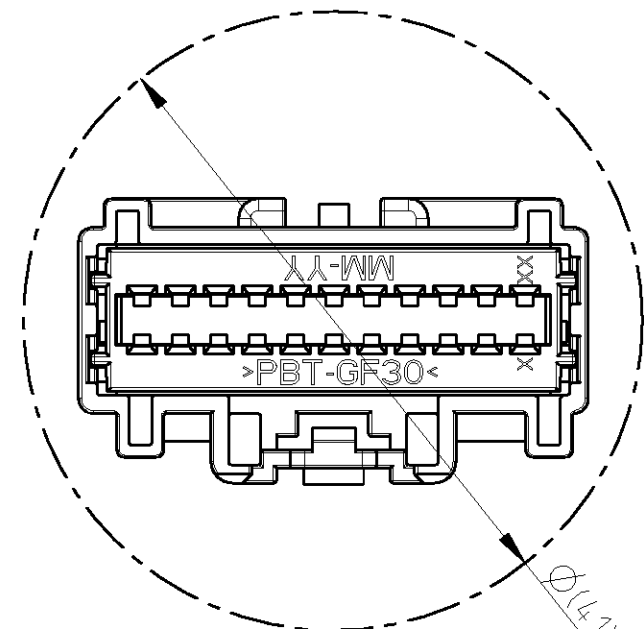
KEYING OPTION A



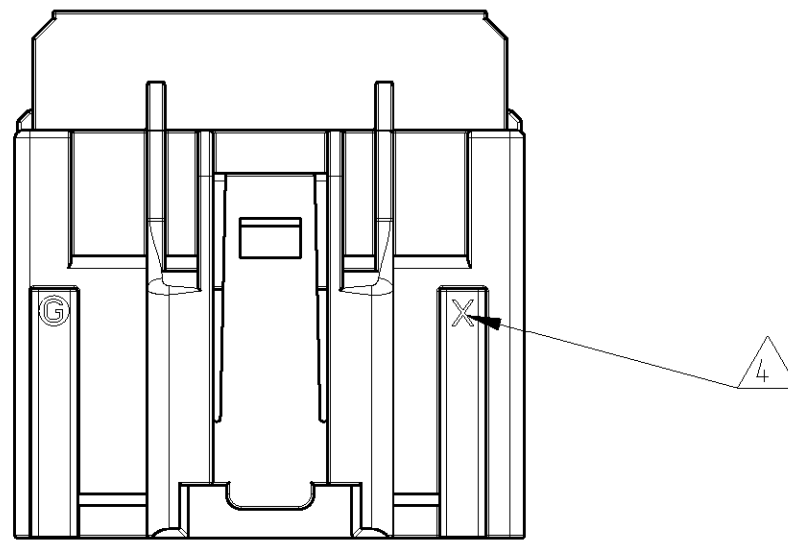
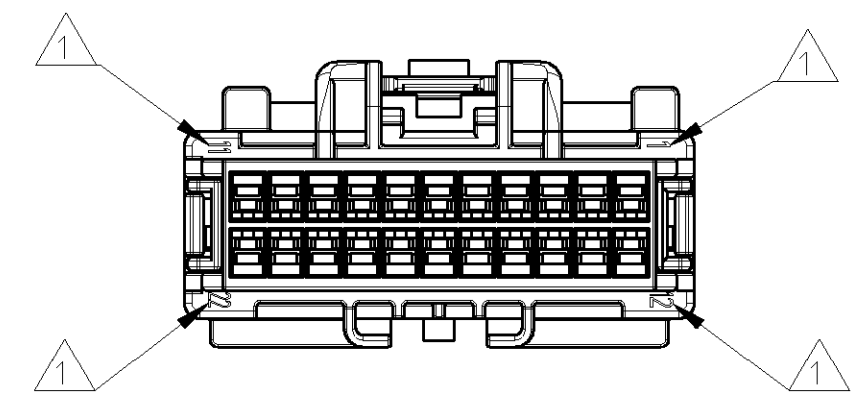
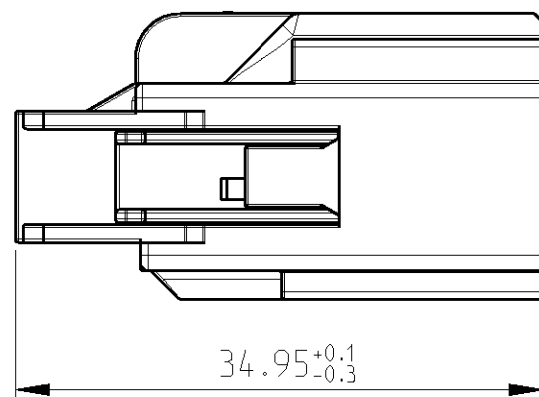
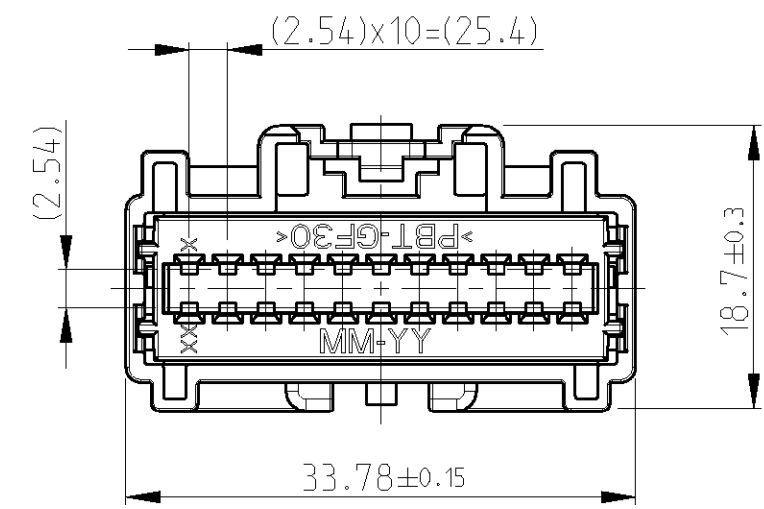
KEYING OPTION B



KEYING OPTION C



3D VIEW



- NOTE:
- 1. CIRCUIT IDENTIFICATION NUMBERS LOCATED AS SHOWN
 - 2. SPACER AND CPA (OPTIONAL) ARE SHIPPED IN PRE-ASSEMBLED POSITION
 - 3. PART NUMBER
 - 4. PRODUCT REVISION LEVEL (OPTIONAL)
 - 5. TOOL NUMBER OR CAVITY NUMBER (OPTIONAL)
 - 6. MATERIAL IDENTIFICATION
 - 7. CONNECTOR ASSEMBLIES PACKED ON TRAY, TRAYS PACKED IN CARD BOX
 - 8. KEYING OPTION A IS SHOWN

ASSY. PN.	REV.	DESCRIPTION
2-1419158-6	B	2X11 POS. MALE CONNECTOR ASSY CODE C
2-1419158-7	B	2X11 POS. MALE CONNECTOR ASSY CODE B
2-1419158-8	B	2X11 POS. MALE CONNECTOR ASSY CODE A

	DESCRIPTION	MATERIAL	COLOR	ITEM
X	2X11 POS. MALE HOUSING COD.C	PA66-GF35	NATURAL	1
X	2X11 POS. MALE HOUSING COD.B	PA66-GF35	GREEN	1
X	2X11 POS. MALE HOUSING COD.A	PA66-GF35	GREY	1
X X X	2X11 POS. MALE SPACER	PBT-GF30	RED	2

THIS DRAWING IS A CONTROLLED DOCUMENT FOR TYCO ELECTRONICS CORPORATION IT IS SUBJECT TO CHANGE AND THE CONTROLLING ENGINEERING ORGANIZATION SHOULD BE CONTACTED FOR THE LATEST REVISION.

DWN: B. Van Sebrouck 21OCT2002
 CHK: G. Steinbach 22OCT2002
 APVD: -

tyco Electronics tyco Electronics AMP GmbH
 D-64625 Bensheim

NAME: GET MALE CONNECTOR, ASSY, 2x11 POS.
 GET STIFTGEHAEUSE, ASSY, 2x11 POS.

SIZE: A2 CAGE CODE: 00779 DRAWING NO: 2-1419158-6 RESTRICTED TO: -

CUSTOMER DRAWING SCALE: 2:1 SHEET 1 OF 1 REV B